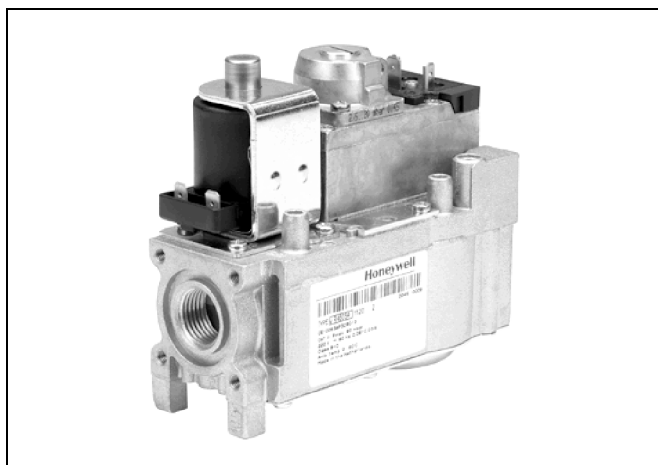


VR46../VR86.. SERIES

COMPACT COMBINATION GAS CONTROLS WITH SERVO PRESSURE REGULATION FOR AUTOMATIC IGNITION SYSTEMS

INSTRUCTION SHEET



DESCRIPTION

VR46../VR86.. combination gas controls perform all the functions required to safely regulate gas flow to the pilot burner and the main burner of domestic central heating equipment, warm air furnaces, back boilers, water heaters and radiant tube heaters.

VR46../VR86.. combination gas controls comprise a standard body to which a range of sub assemblies are factory fitted to give various system options. Options include servo pressure regulation, (switchable) softlite, electrical high-low control and electrical or mechanical modulation.

VR46../VR86.. combination gas controls consist of a first direct electric ON/OFF operator for opening the safety valve of class A or B according to EN 161 and a second electric ON/OFF servo operator valve for opening the main valve of class B, C or J according to EN 161.

APPLICATION

VR46../VR86.. combination gas controls have been specially developed for application in domestic and small commercial atmospheric appliances with automatic ignition. VR46../VR86.. combination gas controls are used in a system context in conjunction with either a direct spark ignition (DSI) or intermittent pilot (IP) control module and associated devices to provide programmed safe light-up and supervision of the main burner of an appliance.

VR46../VR86.. combination gas controls are intended to be used for manufactured, natural and LP gases (1st, 2nd, 3rd family gas).

VR46../VR86.. combination gas controls are approved in accordance with existing european standards.

Contents

English	Page 1
Deutsch	Seite 6
Nederlands	Bladzijde 11
Italiano	Pagina 16
Français	Page 21

SPECIFICATIONS

Models

VR46.. series line voltage

VR86.. series low voltage

VR4601/VR8601 series:

two automatic shut off valves with pilot gas connection between the valves for intermittent pilot (IP) applications.

VR4605 /VR8605 series:

two automatic shut off valves for direct spark ignition (DSI) or hot surface ignition (HSI) applications.

NOTE:

Single suffix letter indicates:

medium capacity series.

Suffix letter followed by an "A" indicates:

low capacity series.

Suffix letter followed by a "B" indicates:

high capacity series.

Suffix letter

A: fast opening, with regulator

B: fast opening, without regulator

C: slow opening, with regulator

D: slow opening, without regulator

H: slow opening, with Modulec

M: fast opening, with Modureg

N: slow opening, with Modureg

P: fast opening, with High-Low

Q: slow opening, with High-Low

R: fast opening, with regulator and suitable in gas/air control systems

Dimensions

See fig.1., page 25

Pressure regulator

Class B according to EN 88

Pipe sizes

- Inlet and outlet 1/2" ISO 7-1 internal parallel pipe thread.
- Inlet 1/2" ISO 7-1 internal parallel pipe thread and outlet Ø18.6 mm.
- Inlet Ø18.6 mm and outlet 1/2" ISO 7-1 internal parallel pipe thread.
- Inlet and outlet Ø18.6 mm.
- Inlet 1/2" ISO 7-1 internal parallel pipe thread and side outlet Ø14 mm.
- Inlet and outlet Ø 23 mm bore.
Inlet and outlet can also be fitted with straight or elbow flanges.

Pilot gas connection (where applicable)

4 mm or 6 mm outer diameter tubing.

Special connection (optional): incorporated in the side outlet.

Pressure feedback connection

Servo pressure regulator has an M5 threaded hole to make connection between regulator and combustion chamber of the appliance.

Ambient temperature

VR46../VR86..xA: 0 ... 60°C (except for dedicated types which have 0 ... 70°C)

VR46../VR86..x: 0 ... 60°C

VR46../VR86..xB: 0 ... 60°C

Minimum regulation capacity

VA types: 0,5 m³/h

Minimum differential pressure at 0.31 m³/h air

Model*	mbar
VR4601/VR8601x VR4605/VR8605x	1.7
VR4611/VR8611x VR4615/VR8615x	3.9
VR4621/VR8621x VR4625/VR8625x	3.9
VR4631/VR8631x VR4635/VR8635x	1.7
VR4641/VR8641x VR4645/VR8645x	3.9
VR4641V/VR8641V VR4645V/VR8645V	3.9
VR4601/VR8601xA VR4605/VR8605xA	1.8
VR4611/VR8611xA VR4615/VR8615xA	3.9
VR4621/VR8621xA VR4625/VR8625xA	3.9
VR4631xA/VR8631xA VR4635xA/VR8635xA	1.8
VR4601xB VR4605xB	1.7
VR4611xB/VR8611xB VR4615xB/VR8615xB	3.9
VR4601EB/VR8601EB VR4605EB/VR8605EB	1.3
VR4601TB/VR8601TB VR4605TB/VR8605TB	1.3
VR4611VB/VR8611VB VR4615VB/VR8615VB	3.9

* x = suffix letter

Valve classification

Type	Class	
	1 st valve	2 nd valve
VR4601/VR8601 VR4605/VR8605	B	J
VR4611/VR8611 VR4615/VR8615	B	C
VR4621/VR8621 VR4625/VR8625	B	B
VR4641/VR8641 VR4645/VR8645	A	C

Enclosure

IP 40 when used with covers or plugs

IP 44 when used with plugs according to DIN 43650

Timing

Closing time: 1 s

Dead time:

- fast opening models: 1 s max.
- fast opening models with second valve class B max 0.55 s
- slow opening models: see table 1.

Opening time:

- fast opening models: 1 s from start of flow till 50% of outlet pressure setting.
- fast opening models with second valve class B: 1 s from start of flow till 7 mbar outlet pressure.
- Slow opening models: 1.5 s from start of flow till Softlite pressure

Table 1:

Gas	Inlet pressure (mbar)	Dead time (s)
G 20/G 25	20	1.5 max.
G 30/G 31	37	1.8 max.
G 30/G 31	50	1.5 max.

Maximum operating pressure

The P_{max} indication on the housing is the maximum inlet pressure at which the combination gas control functions safely. However the maximum operating pressure is limited by the pressure range of the pressure regulator concerned (see table 2.).

Table 2: Maximum operating pressure

Model	Pressure range (mbar)	Maximum operating pressure (mbar)
with regulation	2 ... 10 2.5 ... 20	30
	3 ... 37*	45
	5 ... 50*	60
	10 ... 60*	100
without regulation	-	60
with throttle	-	60

* This type can also be used for non regulation mode in LP applications when pressure regulator adjustment screw is clockwise turned down until it stops.

Mounting holes

Two M5 mounting holes are located on the bottom of the combination gas control.

The four holes at inlet and outlet side for mounting the flange to the combination gas control are provided with M5 thread with min. 6.5 mm full thread.

Capacity

See table 3.

Capacity curves are available on request.

Electrical rating

See table 4.

Table 3: Capacity (in m³/h air)

Model*	ΔP (mbar)	
VR4601/VR8601x VR4605/VR8605x	3	3.1
VR4611/VR8611x VR4615/VR8615x	5	3.0
VR4621/VR8621x VR4625/VR8625x	5	3.0
VR4631/VR8631x VR4635/VR8635x	3	2.1
VR4641/VR8641x VR4645/VR8645x	5	1.8
VR4641V/VR8641V VR4645V/VR8645V	10	5.4
VR4601/VR8601xA VR4605/VR8605xA	3	2.1
VR4611/VR8611xA VR4615/VR8615xA	5	1.8
VR4621/VR8621xA VR4625/VR8625xA	5	3.5
VR4631/VR8631xA VR4635/VR8635xA	3	2.1
VR4601/VR8601xB VR4605/VR8605xB	3	4.2
VR4611/VR8611xB VR4615/VR8615xB	5	4.6
VR4601/VR8601EB VR4605/VR8605EB	3	4.2
VR4601/VR8601TB VR4605/VR8605TB	3	4.2
VR4601/VR8601VB VR4605/VR8605VB	3	4.6

* **x = suffix letter**

Table 4: Electrical rating

Nominal voltage	Power consumption at nominal voltage (W)			Current at nominal voltage (mA)		
	1 st operator (large coil)	1 st operator (small coil)	2 nd operator	1 st operator (large coil)	1 st operator (small coil)	2 nd operator
24 V, 50 Hz	7	3.5	3.8	450	280	211
24 V, 60 Hz	8.3	4.9	4.7	550	400	266
230 V, 50 Hz	8.3	4.8	4	60	42	23
220 V, 60 Hz	8.3	4.9	3.5	57	45	21.1

INSTALLATION

IMPORTANT

Take care that installer is a trained experienced service person.

Turn off gas supply before starting installation.

Disconnect power supply to prevent electrical shock and/or equipment damage.

Do not remove seals over inlet and outlet until the device is ready to be installed.

If M5 connection for switchable softlite and/or pressure feedback is/are not to be used, it is to recommend to push a dust cap into the hole.

Mounting position

The combination gas control can be mounted 0 to 90° in any direction from the upright position, i.e. from the position when electric operators are on top.

Main gas connection

- Take care that dirt cannot enter the combination gas control during handling.
- Use a clean taper fitting with thread according to ISO 7-1 or a piece of new, properly reamed pipe, free from swarf.
- Do not tighten the pipe or pipe fitting too far (see table below). Otherwise valve distortion and malfunction could result.

Pipe size	Max. length of pipe thread
1/2"	18.6 mm

- Apply a moderate amount of good quality thread compound to the pipe or fitting only, leaving the two end threads bare. PTFE tape may be used as an alternative.
- Ensure that gas flows in the same direction as the arrow on the bottom of the combination gas control.

Pressure feedback connection

WARNING

To avoid decreasing of performance of pressure regulator by pinching-off the pressure feedback tubing, it is to recommend a metal tubing.

Pilot gas connection (VR4601/VR8601 only)

- Square off the end of tubing and remove burrs.
- Slip compression fitting over tubing.
- Insert tubing into housing of combination gas control until it bottoms, slide fitting into place and turn finger tight.

- Use a wrench to tighten fitting about 2 turns beyond finger tight for 6 mm tubing and about 3/4 turn beyond finger tight for 4 mm tubing to make a pressure tight joint. Do not use jointing compound.
- Connect other end of tubing to pilot burner according to the pilot burner manufacturer's instructions.

WARNING

Do not bend tubing at combination gas control after compression fitting has been tightened, as this may result in gas leakage at the connection.

Remember that length of pilot tubing and pilot burner characteristics have influence on time to ignite pilot burner. This can interfere with available ignition timings.

Electrical connection

CAUTION

Switch off power supply before making electrical connections.

Take care that wiring is in accordance with applicable codes and local regulations.

To ensure a safe closing of the valve, it is essential that the voltage is reduced to 0 Volt.

Ensure that cut-off function of limit control de-energizes both valves.

Use lead wire which can withstand 105°C ambient.

The electric on/off operator is provided with:

6.3 mm quick connect terminals suitable for 6.3 mm receptacles. (e.g. "Series 250" AMP fasteners)

The electric servo on/off operator is provided with:

6.3 mm quick connect terminals suitable for 6.3 mm receptacles. (e.g. "Series 250" AMP fasteners)

or with:

quick connect terminals suitable for a female connector according DIN 43650.

Wiring combination gas controls in intermittent pilot (IP) systems

The appliance manufacturer's instructions should always be followed when provided. If not available see fig. 2. page 27 for typical systems using Honeywell S458 ignition control.

Wiring combination gas controls in direct spark ignition (DSI) systems

The appliance manufacturer's instructions should always be followed when provided. If not available see fig. 3. page 27 for typical systems using Honeywell S4560 automatic ignition control.



WARNING

Tightness test after installation

Paint all pipe connections and gaskets with a strong soap and water solution.

Start the appliance and check for bubbles. If a leak is found in a pipe connection, remake the joint. A gasket leak can usually be stopped by tightening the mounting screws. Otherwise, replace the gasket.

Be careful not to clog bleed vent parts with soap solution residue. Remember bleed vents will discharge air during gas valve opening or closing giving false indication of leakage.

ADJUSTMENTS, CHECKOUT AND MAINTENANCE



WARNING

Adjustments must be made by qualified persons only. If the appliance manufacturer supplies checkout and/ or service and maintenance instructions carefully follow them. If these instructions are not provided then use the procedure outlined below.

Pressure tap

The combination gas control is provided with a pressure tap of 9 mm outer diameter at inlet and outlet side. When checking the pressure undo the screw a half turn and slip tube over nipple.

Ensure that screw is retightened after making test.

Pilot flame (VR4601/VR8601 only)



WARNING

It should be noted, that after a long time of stoppage (summer) it can take up to 60 s to come to an ignition of the pilot burner.

Outlet pressure adjustment (see fig. 1)

- Disconnect pressure feedback connection (if applicable)
- Energize both electric operators in order to have gas input to burner.
- Check gas input to the appliance using a clocking gas meter or alternatively a pressure gauge connected to the outlet pressure tap.
- Remove cap screw to expose pressure regulator adjustment screw.
- Slowly turn adjustment screw with a screw driver until the burner pressure required is recorded on the pressure gauge. Turn adjustment screw clockwise to increase or counter-clockwise to decrease gas pressure to the burner.
- For non-regulating mode (LP gas) turn adjustment screw clockwise until it stops.
- Replace pressure regulator cap screw.
- Connect pressure feedback connection (if applicable).

Check of slow opening (Softlite)

The Softlite pressure is factory set.

Check burner performance at this pressure observing burner ignition and flame characteristics. Burner should ignite promptly and without flash back to orifice and all ports should remain lit.

Cycle burner several times (wait 15 seconds between cycles to allow servo system to resume slow open action).

Repeat check of slow opening after allowing the appliance to cool down.

Checkout

Set appliance in operation after any adjustment and observe several complete cycles to ensure that all burner components function correctly.

Maintenance and service

Under normal circumstances no maintenance or service is required. Screws on the valve that have been sealed must never be removed.

VR46../VR86.. SERIEN

GASKOMBINATIONSENTILE FÜR AUTOMATISCHE ZÜNDSYSTEME

BESCHREIBUNG UND VERWENDUNG

VR46../VR86.. Gaskombinationsventile für automatische Zündsysteme haben zwei elektrische Ventile in Serie.

Das erste Ventil (Sicherheitsventil) ist ein automatisches EIN/AUS Gruppe A oder B Ventil nach EN 161.

Das zweite Ventil ist ein automatisches EIN/AUS Gruppe B, C oder J Ventil nach EN 161.

VR46../VR86.. Gaskombinationsventile sind geeignet für die Regelung und Überwachung von Zünd- und/oder Hauptflamme atmosphärischer Gasbrenner in Heizgeräten (freistehend oder wandmontiert).

VR46../VR86.. Gaskombinationsventile sind für Stadt-, Erd- und Flüssiggas (1., 2. und 3. Gas-Familie) und gemäss den geltenden Normen der europäischen Länder zugelassen.

TECHNISCHE DATEN

Typenübersicht

VR46...: 230V ~ 50 Hz, or 220V ~ 60Hz

VR86...: 24V ~ 50 Hz, or 24V ~ 60Hz

VR4601/VR8601 Serien:

zwei automatische EIN/AUS Ventile mit Zündbrenner Anschluss für intermittierenden Betrieb.

VR4605/VR8605 Serien:

zwei automatische EIN/AUS Ventile für Systeme mit Direktzündung durch Zündfunken oder durch Glühzündung

Anmerkung:

Eine **einzelne** Kennbuchstabe (z.B. VR4601A) zeigt an:
Ventil mit niedriger Kapazität.

Eine Kennbuchstabe mit einem **"A"** (z.B. VR4601AA) zeigt an:
Ventil mit mittelmässiger Kapazität.

Eine Kennbuchstabe mit einem **"B"** (z.B. VR4601AB) zeigt an:
Ventil mit höherer Kapazität.

Kennbuchstaben

- A: Schnell öffnend mit Druckregler
- B: Schnell öffnend ohne Druckregler
- C: Langsam öffnend mit Druckregler
- D: Langsam öffnend ohne Druckregler
- H: Langsam öffnend mit modulierendem Druckregler
- M: Schnell öffnend mit elektrischem modulierendem Druckregler
- N: Langsam öffnend mit elektrischem modulierendem Druckregler
- P: Schnell öffnend mit Voll-/Teillast Druckregler
- Q: Langsam öffnend mit Voll-/Teillast Druckregler
- R: Schnell öffnend mit Druckregler und geeignet für Gas/Luft- Verbundregelung

Dimensionen

Siehe Abb.1., Seite 25

Druckregler

Klasse B nach EN 88

Ventilanschlüsse

Die Ventilanschlüsse entsprechen der Biegestärke von Gruppe 2 nach EN 161.

- Ein- und Ausgang $1/2"$ ISO 7-1 Innen-Parallel-Rohrgewinde.
- Eingang $1/2"$ ISO 7-1 Innen-Parallel-Rohrgewinde und Ausgang \varnothing 18.6 mm.
- Eingang: \varnothing 18.6 mm und und Ausgang $1/2"$ ISO 7-1 Innen-Parallel-Rohrgewinde.
- Ein- und Ausgang \varnothing 18.6 mm
- Eingang $1/2"$ ISO 7-1 Innen-Parallel-Rohrgewinde und seitlicher Ausgang \varnothing 14 mm
- Ein- und Ausgang \varnothing 23 mm

Ein- und Ausgangsanschlüsse sind mit Gewindebohrungen für Gerade oder Winkelflange vorgesehen.

Zündgasanschluss (falls anwendbar)

4 mm \varnothing oder 6 mm \varnothing Rohr-Aussendurchmesser

Druck-RückmeldungsKompensation

Der Druckregler hat eine M5 Gewinde-Anschluss-Bohrung für Druck-Rückmeldungs-Kompensation

Zulässige Umgebungstemperatur

VR46../VR86..xA: 0 ... 60°C (Ausnahme: Spezielle Typen sind 0 ... 70°C)

VR46../VR86..x: 0 ... 60°C

VR46../VR86..xB: 0 ... 60°C

Kleinster regelbarer Durchfluss

0.31 m³/h Luft

Minimum Druckabfall (bei 0.31 m³/h Luft)

Baureihe*	mbar
VR4601/VR8601x VR4605/VR8605x	1.7
VR4611/VR8611x VR4615/VR8615x	3.9
VR4621/VR8621x VR4625/VR8625x	3.9
VR4631/VR8631x VR4635/VR8635x	1.7
VR4641/VR8641x VR4645/VR8645x	3.9
VR4641V/VR8641V VR4645V/VR8645V	3.9
VR4601/VR8601xA VR4605/VR8605xA	1.8
VR4611/VR8611xA VR4615/VR8615xA	3.9
VR4621/VR8621xA VR4625/VR8625xA	3.9
VR4631xA/VR8631xA VR4635xA/VR8635xA	1.8
VR4601xB VR4605xB	1.7
VR4611xB/VR8611xB VR4615xB/VR8615xB	3.9
VR4601EB/VR8601EB VR4605EB/VR8605EB	1.3
VR4601TB/VR8601TB VR4605TB/VR8605TB	1.3
VR4611VB/VR8611VB VR4615VB/VR8615VB	3.9

* x = Kennbuchstabe

Ventilgruppe Einteilung

Baureihe	Ventilgruppe	
	1. Ventil	2. Ventil
VR4601/VR8601 VR4605/VR8605	B	J
VR4611/VR8611 VR4615/VR8615	B	C
VR4621/VR8621 VR4625/VR8625	B	B
VR4641/VR8641 VR4645/VR8645	A	C

Schutzart

IP 40: mit Abdeckung
IP 44: mit Abdeckung nach DIN 43650

Maximaler Betriebsdruck

Die P_{max} Indikation auf dem Gehäuse ist der maximale Druck wobei das Gaskombinationsventil noch sicher arbeitet. Jedoch der verwendeten Druckregler bestimmt den wirklichen maximalen Betriebsdruck. (Siehe untenstehende Tabelle)

Baureihe	Einstelldruckbereich (mbar)	Maximaler Betriebsdruck (mbar)
mit Druckregelung	2 ... 10	30
	2.5 ... 20	
	3 ... 37*	45
	5 ... 50*	60
ohne Druckregelung	10 ... 60*	100
	-	60

* Diese Ausführung kann bei Flüssiggasanwendungen auch bei Betrieb ohne Druckregelung angewendet werden, wenn der Druckreglerjustierschraube im Uhrzeigersinn bis zum Anschlag heruntergedreht wird.

Zeiten

Schliesszeit: 1 s

Totzeit:

- Baureihe schnell öffnend: 1 s -Baureihe schnell öffnend mit zweites Ventil nach Klasse B: 0.55 s
- Baureihe langsam öffnend: siehe Tabelle 1.

Öffnungszeit:

- Baureihe schnell öffnend: 1 s ab Start bis 50% der Einstellung des eingestellten Ausgangsdrucks. -Baureihe schnell öffnend mit zweites Ventil nach Klasse B: 1 s ab Start bis 7 mbar Ausgangsdruck.
- Baureihe langsam öffnend: 1.5 s ab Start bis Stufendruck.

Tabelle 1:

Gasart	Eingangsdruck (mbar)	Totzeit (s)
G 20/G 25	20	1.5 max.
G 30/G 31	37	1.8 max.
G 30/G 31	50	1.5 max.

Befestigungslöcher

Zwei Befestigungslöcher M5 befinden sich am Boden des Gaskombinationsventils.

Die vier Befestigungslöcher für den Anbau der Flansche an das Gaskombinationsventil haben M5-Gewinde und eine Gewindetiefe von minimal 6.5 mm.

Durchflusskapazität

Siehe Tabelle 3.

Kurven stehen auf Anfrage zur Verfügung

Elektrische Daten
Siehe Tabelle 2.

Tabelle 2: Elektrische Daten

Nennspannung	Leistungsaufnahme bei Nennspannung (W)			Strom bei Nennspannung (mA)		
	1. Ventil (grosse Spule)	1. Ventil (kleine Spule)	2. Ventil	1. Ventil (grosse Spule)	1. Ventil (kleine Spule)	2. Ventil
24 V, 50 Hz	7	3.5	3.8	450	280	211
24 V, 60 Hz	8.3	4.9	4.7	550	400	266
230 V, 50 Hz	8.3	4.8	4	60	42	23
220 V, 60 Hz	8.3	4.9	3.5	57	45	21.1

Tabelle 3: Durchflusskapazität (in m³/h Luft)

Baureihe*	ΔP (mbar)	
VR4601/VR8601x VR4605/VR8605x	3	3.1
VR4611/VR8611x VR4615/VR8615x	5	3.0
VR4621/VR8621x VR4625/VR8625x	5	3.0
VR4631/VR8631x VR4635/VR8635x	3	2.1
VR4641/VR8641x VR4645/VR8645x	5	1.8
VR4641V/VR8641V VR4645V/VR8645V	10	5.4
VR4601/VR8601xA VR4605/VR8605xA	3	2.1
VR4611/VR8611xA VR4615/VR8615xA	5	1.8
VR4621/VR8621xA VR4625/VR8625xA	5	3.5
VR4631/VR8631xA VR4635/VR8635xA	3	2.1
VR4601/VR8601xB VR4605/VR8605xB	3	4.2
VR4611/VR8611xB VR4615/VR8615xB	5	4.6
VR4601/VR8601EB VR4605/VR8605EB	3	4.2
VR4601/VR8601TB VR4605/VR8605TB	3	4.2
VR4601/VR8601VB VR4605/VR8605VB	3	4.6

* x = Kennbuchstabe

EINBAU

WICHTIG

Der Einbau darf nur von qualifiziertem Personal vorgenommen werden.

Vor Beginn der Installation ist die Gasversorgung auszuschalten.

Vor Beginn der elektrischen Anschlussarbeiten ist die Netzspannung zwecks Vermeidung eines elektrischen Schlags oder einer Beschädigung des Gerätes auszuschalten.

Die am Ventilein- und -ausgang befindlichen Schutzabdeckungen sind erst bei Einbau des Gasventils zu entfernen.

Nachdem der Einbau vollendet ist, sind alle notwendigen Prüfungen durchzuführen.

Wenn die M5 Gewinde-Anschluss-bohrung für den Umstelladapter der Langsamöffnung und/oder am Druckregler für die Druckrück-meldungs-Kompensation nicht benutzt wird, empfiehlt es sich eine Verschlusskappe zu verwenden.

Einbaulage

Die Gaskombinationsventile können in jeder, um 0 bis 90° von der Lotrechten abweichenden Lage (d. h. von der Lage mit der Spule oben), eingebaut werden.

Anschluss der Hauptgasleitung

- Es ist ein solides Kegelrohrfitting mit Gewinde gemäss ISO 7-1 oder ein neues sauberes Rohr, frei von Eisenfeilspänen und sonstigen Verunreinigungen zu verwenden.
- Das Rohr oder Rohrfitting darf nicht zu tief eingeschraubt oder festgezogen werden (siehe untenstehende Tabelle), da eine Flansch- oder Ventilverformung und damit eine Fehlfunktion eintreten könnte.

Ventilanschluss	Gesamt Gewindelänge
$\frac{1}{2}''$	18.6 mm

- Nicht zu viel Dichtungsmaterial guter Qualität (nur DIN-DVGW registriert) auf das Rohrgewinde oder Fitting auftragen. Die beiden ersten Gewindegänge sollten nicht mit Dichtungsmaterial versehen werden. Wahlweise kann PTFE-Band verwendet werden.
- Beim Festziehen des Rohres sind die Aufnahmeflächen am Ventileintritt zu benutzen.
- Man vergewissere sich dass die Fliessrichtung des Gases mit dem Richtungspfeil am Boden des Gasventils übereinstimmt.

Anschluss der Druckrückmeldungs-Kompensation



ACHTUNG

Blockierung der Druckrückmeldungs-Kompensationsleitung durch knicken führt zu einer verringerten Wirkung der Druckreglerfunktion.

Eine metallische Leitung wird empfohlen.

Anschluss der Zündgasleitung

- Rohrende rechtwinklig abschneiden und entgraten.
- Verschraubung über das Rohrende streifen. Rohrende bis zum Anschlag in das Ventilgehäuse einführen.
- Verschraubung an den zugeordneten Platz schieben und unter leichtem andrücken von Hand zuzüglich mit Werkzeug um etwa $\frac{3}{4}$ Umdrehung für 4 mm Ø Rohr und etwa 2 Umdrehung für 6 mm Ø Rohr festziehen. Keine Dichtungsmasse oder Band verwenden.
- Das andere Ende der Rohrleitung ist an den Zündbrenner zu führen und gemäss den Angaben des Zünd-gasbrenner-Herstellers anzuschliessen.



VORSICHT

Ein Biegen der Rohrleitung am Gasventil nach dem Festziehen der Verschraubung ist unzulässig, da dieses zu Undichtigkeiten im Anschluss führen könnte. Es ist zu beachten, dass die Länge der Zündbrenner-Anschluss-Rohrleitung sowie die Charakteristik bzw. Kennlinie des Zündbrenners den Zeitpunkt der Zündung der Zündflamme beeinflussen. Dadurch können die angegebenen Zündzeiten beeinträchtigt werden.

Elektrische Anschlüsse



VORSICHT

Vor Beginn der Anschlussarbeiten ist die Netzspannung auszuschalten.

Die Anschlussklemmen von Kleinspannungsventilen dürfen auf keinen Fall kurzgeschlossen werden, da sonst der Heizwiderstand der thermischen Rückführung des Raumtemperaturreglers durchbrennen könnte.

Die elektrischen Anschlüsse müssen den Bestimmungen des VDE und der zuständigen Elektrizitätsversorgungsunternehmen entsprechen. Um ein sicheres Schliessen des Ventils zu gewährleisten, muss unbedingt die Spannung an den Anschlussklemmen der Ventile absolut spannungsfrei (0 Volt) sein.

Es ist zu beachten, dass die Ausschaltfunktion eines Wächters oder Begrenzers beide Ventile ausschaltet.

Der Berührungsschutz der Typenreihe VR46.. ist durch den Einbau sicherzustellen.

Der Berührungsschutz der Typenreihe VR86.. ist durch den Einbau sicherzustellen, oder die Geräte müssen ausschliesslich von einen Sicherheitstranformator nach EN 60742 versorgt werden.

Verdrahtung

Es sind Kabel, für eine Umgebungstemperatur von 105°C widerstehen, zu verwenden.

Das Sicherheitsventil ist ausgerüstet mit 6.3 mm AMP Anschluss-Flachstecker "Serie 250".

Der Magnetantrieb ist sowohl mit 6.3 mm AMP Anschluss-Flachstecker "Serie 250" als auch mit Schraub-anschlüssen ausgerüstet oder mit 6.3 mm Anschluss- Flachsteckern nach DIN 46350.

Elektrischer Anschluss des Gaskombinationsventils in Systemen mit intermittierendem Zündbrenner.

Die Anweisungen des Geräteherstellers sind, falls vorhanden, stets zu befolgen. Falls keine vorhanden sind, ist entsprechend Abb. 2. Seite 27 vorzugehen, welcher typische Systeme mit Honeywell S458 Steuergerät dargestellt.

Elektrischer Anschluss des Gaskombinationsventils in Systemen mit Direktzündung durch Zündfunken oder Glühzündung.

Die Anweisungen des Geräteherstellers sind, falls vorhanden, stets zu befolgen. Falls keine vorhanden sind, ist entsprechend Abb. 3. Seite 27 vorzugehen, welches typische Systeme mit Honeywell S4560 Steuergerät dargestellt.



ACHTUNG

Gasdichtheitsprüfung nach der Installation

Die Prüfung wird ausgeführt im Betriebszustand des Hauptbrenners.

Der Ein- und Ausgang sowie der Zündgasanschluss wird geprüft mittels Leckprüfmittel, welches über die Verbindungsstellen gestrichen wird.

Undichte Stellen werden durch Blasen angezeigt.

Falls die Prüfung mit einer konzentrierten Seifenlösung vorgenommen wird, ist darauf zu achten, dass keine aggressive Seifenlösung verwendet wird.

EINSTELLUNGEN, PRÜFUNG UND WARTUNG

WICHTIG

Einstellungen dürfen nur von qualifiziertem Fachpersonal durchgeführt werden.

Falls der Heizgerätehersteller oder der Anlagenbauer Prüfungs-, Wartungs- oder Serviceanweisungen herausgegeben hat, sind diese sorgfältig zu befolgen. Sind diese nicht vorhanden, bitte diese Richtlinien beachten.

Druckmessnippel

Das Gaskombinationsventil hat am Ein- und Ausgang je einen Druckmessnippel mit Aussendurchmesser von 9 mm. Zwecks Prüfung des Druckes ist die Druckabgriffschraube um $\frac{1}{2}$ Umdrehung zu lockern und der Schlauch über den Nippel zu stecken.

Nach der Prüfung ist die Druckabgriffschraube wieder festzuziehen.

Einstellung des Ausgangsdruck (siehe Abb. 1)

- Lösen Sie (sofern vorhanden) die Gasdruck-Rückführung.
- Die elektrischen Antriebe müssen an Spannung liegen, damit dem Brenner Gas zugeführt wird.
- Die Gaseintrittsmenge in das Heizgerät ist mittels eines Gaszählers oder wahlweise mittels eines am Ausgangsdruckmessnippel angeschlossenen Druckmessgerätes zu prüfen (der Messpunkt muss sich so nahe wie möglich am Brenner befinden).
- Entfernen Sie die Abdeckschraube, so dass die Druckregler-Einstellschraube zugänglich wird.
- Drehen Sie mit einem Schraubendreher die Einstellschraube bis der erforderliche Brennerdruck erreicht ist. Drehen im Uhrzeigersinn erhöht, drehen entgegen dem Uhrzeigersinn verringert den Gasdruck.
- Für Betrieb ohne Druckregelung (Flüssiggas) ist die Einstellschraube im Uhrzeigersinn bis zum Anschlag zu drehen.
- Abdeckschraube wieder anbringen.
- Schliessen Sie (sofern vorhanden) die Gasdruck-Rückführung wieder an.

Prüfung der Langsamöffnung

Der Gasdruck für die langsam öffnende Modelle ist werksseitig eingestellt. Man prüfe das Brennerverhalten, Flammenbild und den Zündvorgang bei diesem speziellen Gasdruck.

Der Brenner sollte unmittelbar und ohne Flammenrückschlag zur Düse überzünden. Sodann den Brenner mehrere Male ein- und ausschalten (jeweils mindestens 15 Sekunden zwischen den Schaltungen warten, sodass das Servosystem die Stufendruck-Funktionen durchspielt). Das ganze nach einem längeren Abkühlzeitraum des Brenners wiederholen.

Abschliessende Prüfung

Nach jedem Einstellen die Anlage in Betrieb nehmen und über mehrere Regelzyklen hinweg alle Sicherheits- und Regelfunktionen überprüfen um sicherzustellen, dass alle Brennerkomponenten einwandfrei arbeiten.

Wartung

Unter normalen Bedingungen sind keine Wartungsarbeiten notwendig.

Versiegelte Schrauben an den Ventilen dürfen nicht gelöst werden.

VR46../VR86.. SERIES

BEVEILIGINGSAFSLUITERCOMBINATIES VOOR GASBRANDERS MET AUTOMATISCHE ONTSTEKING

BESCHRIJVING EN TOEPASSING

De beveiligingsafsluitercombinatie VR46../VR86.. bestaat uit een basisgasblok met een servo gasregelklep waarop diverse drukregelcomponenten gemonteerd kunnen worden, zoals servo drukregelaar, (instelbare) Softlite, elektrische hoog-laag drukregelaar en een elektrisch of mechanisch modulerende drukregelaar.

De eerste afsluiter wordt bediend door een elektrische AAN/UIT regelklep en heeft een sluitkracht overeenkomstig klasse A of B volgens EN 161.

De tweede afsluiter wordt bediend door een elektrische AAN/UIT servo gasregelklep en heeft een sluitkracht overeenkomstig klasse B, C of J volgens EN 161.

De beveiligingsafsluitercombinatie VR46../VR86.. vormen in combinatie met een branderautomaat, een ontstekingsinrichting en vlamwaarnemer de primaire beveiligings- en regeluitrusting van met gas gestookte verwarmingstoestellen, zoals CV-ketels en luchtverwarmers die zijn voorzien van een niet permanent brandende aansteekbrander en zijn derhalve bestemd voor toestellen met automatische ontsteking van de hoofdbrander.

De beveiligingsafsluitercombinaties VR46../VR86.. zijn uitsluitend bestemd voor inbouw in gasverbruikstoestellen.

De beveiligingsafsluitercombinaties zijn geschikt voor alle genormaliseerde distributiegassen.

TECHNISCHE GEGEVENS

Typen

VR46.. serie bestemd voor sterkstroom

VR86.. serie bestemd voor zwakstroom

VR4601/VR8601 series:

twee elektrisch bediende afsluiters met aansteekgas aansluiting, bestemd voor toestellen met niet permanent brandende aansteekbrander.

VR4605 /VR8605 series:

twee elektrisch bediende afsluiters zonder aansteekgas aansluiting, bestemd voor toestellen met automatische ontsteking van de hoofdbrander.

Attentie:

- Indien aan het basis typenummer een "A" is toegevoegd (bijv. VR8601CA), dan is de eerste afsluiter voorzien van een klein model spoel met gereduceerd vermogen.
- Indien aan het basis typenummer een "B" is toegevoegd (bijv. VR8601CB), dan is de eerste afsluiter voorzien van een groot model spoel met groter vermogen.

Type letteraanduiding

- A: direct openend met drukregelaar
- B: direct openend, zonder drukregelaar
- C: langzaam openend (Softlite), met drukregelaar
- D: langzaam openend (Softlite), zonder drukregelaar
- H: langzaam openend (Softlite), met modulerende drukregelaar
- M: direct openend met elektrisch modulerende drukregelaar
- N: langzaam openend (Softlite), met elektrisch modulerende drukregelaar
- P: direct openend met hoog-laag drukregelaar
- Q: langzaam openend (Softlite), met hoog-laag drukregelaar
- R: direct openend met drukregelaar en bestemd voor gas/lucht regelsystemen

Afmetingen

Zie fig. 1. bladzijde 25

Drukregelaar

Klasse B volgens EN 88

Gaszijdige aansluitingen

In- en uitlaatzijde voldoen aan de buigsterkte groep 2 volgens EN 161 Klasse B.

- In- en uitlaatzijde 1/2" binnendraad volgens ISO 7-1.
- Inlaatzijde 1/2" binnendraad volgens ISO 7-1 en uitlaatzijde Ø18.6 mm zonder binnendraad
- Inlaatzijde Ø18.6 mm zonder binnendraad en uitlaatzijde 1/2" binnendraad volgens ISO 7-1.
- Inlaatzijde 1/2" binnendraad volgens ISO 7-1 en zij-uitlaat: Ø14 mm.
- In- en uitlaatzijde Ø 23 mm zonder binnendraad.

Mogelijkheid voor aansluiting van rechte of haakse aanbouwen in diverse aansluitmaten.

Aansteekgas aansluiting (indien van toepassing)

D.m.v. klemfitting voor 4 mm of 6 mm buitendiameter leiding. Speciale aansluiting (op aanvraag): Ø 3 mm in zij-uitlaat.

Aansluiting drukcompensatie

De drukregelaar heeft een M5 aansluiting voor de drukcompensatie naar de verbrandingskamer.

Minimaal regelbare capaciteit

0.31 m³/h lucht

Minimum werkdruk bij 0.31 m³/h lucht

Type*	mbar
VR4601/VR8601x VR4605/VR8605x	1.7
VR4611/VR8611x VR4615/VR8615x	3.9
VR4621/VR8621x VR4625/VR8625x	3.9
VR4631/VR8631x VR4635/VR8635x	1.7
VR4641/VR8641x VR4645/VR8645x	3.9
VR4641V/VR8641V VR4645V/VR8645V	3.9
VR4601/VR8601xA VR4605/VR8605xA	1.8
VR4611/VR8611xA VR4615/VR8615xA	3.9
VR4621/VR8621xA VR4625/VR8625xA	3.9
VR4631xA/VR8631xA VR4635xA/VR8635xA	1.8
VR4601xB VR4605xB	1.7
VR4611xB/VR8611xB VR4615xB/VR8615xB	3.9
VR4601EB/VR8601EB VR4605EB/VR8605EB	1.3
VR4601TB/VR8601TB VR4605TB/VR8605TB	1.3
VR4611VB/VR8611VB VR4615VB/VR8615VB	3.9

* x = type letteraanduiding

Doorstroomcapaciteit

Zie tabel 3.

Grafieken zijn op aanvraag beschikbaar.

Omgevingstemperatuur

VR46../VR86..xA: 0 ... 60°C (behalve speciale types welke gespecificeerd zijn op 0 ... 70°C)

VR46../VR86..x: 0 ... 60°C

VR46../VR86..xB: 0 ... 60°C

Ingebouwd gasfilter

Fijnmazige zeef aan inlaatzijde van de beveiligingsafsluiter.

Montagegaten

Twee M5 montagegaten bevinden zich aan de onderzijde van de beveiligingsafsluitercombinatie.

Voor montage van de aanbouwflenzen zijn er aan in- en uitlaat vier montagegaten met schroefdraaddiepte van 6.5 mm.

Klasse indeling

Type	Klasse	
	1 st afsluiter	2 ^e afsluiter
VR4601/VR8601 VR4605/VR8605	B	J
VR4611/VR8611 VR4615/VR8615	B	C
VR4621/VR8621 VR4625/VR8625	B	B
VR4641/VR8641 VR4645/VR8645	A	C

Maximumwerkdruk

De P_{max} indicatie op het huis van de beveiligingsafsluiter is de maximale werkdruk waarbij de beveiligingsafsluiter nog goed functioneert.

De toegepaste drukregelaar bepaalt de werkelijke maximum werkdruk (zie tabel 1.).

Tabel 1:

Type	Instelgebied drukregelaar (mbar)	Maximum werkdruk (mbar)
met drukregelaar	2 ... 10 2.5 ... 20	30
	3 ... 37*	45
	5 ... 50*	60
	10 ... 60*	100
zonder drukregelaar	-	60

* Ook toe te passen waar drukregeling van LP-gas niet is toegestaan. In dat geval instelschroef indraaien totdat deze blokkeert.

Tijden

Sluittijd: 1 s

Dode tijd:

- type direct openend 1 s max.
- type direct openend met 2^e afsluiter Klasse B max. 0.55 s .
- type langzaam openend: zie tabel 2.

Openingstijd:

- type direct openend: 1 s vanaf start van de gasstroom tot 50% van de ingestelde uitlaatdruk.
- type direct openend met 2^e afsluiter Klasse B: 1 s vanaf start van de gasstroom tot 7 mbar uitlaatdruk.
- type langzaam openend: 1,5 s vanaf start van de gasstroom tot de Softlite druk.

Tabel 2:

Gas	Inlaatdruk(mbar)	Dode tijd (s)
G 20/G 25	20	1.5 max.
G 30/G 31	37	1.8 max.
G 30/G 31	50	1.5 max.

Elektrische uitvoering

IP 40: met beschermkap
 IP 44: met stekker volgens DIN 43650

Elektrische gegevens

De inschakelstroom en -vermogen zijn gelijk aan de
 houdstroom resp. duurvermogen.
 Netspanningsvariatie tussen 85% en 110% is toegestaan.

Doorstroomcapaciteit

Zie tabel 3.

Opgenomen vermogen en stroom

Zie tabel 4.

Tabel 3: Doorstroomcapaciteit (in m³/h lucht)

VR4641/VR8641x VR4645/VR8645x	5	1.8
VR4641V/VR8641V VR4645V/VR8645V	10	5.4
VR4601/VR8601xA VR4605/VR8605xA	3	2.1
VR4611/VR8611xA VR4615/VR8615xA	5	1.8
VR4621/VR8621xA VR4625/VR8625xA	5	3.5
VR4631/VR8631xA VR4635/VR8635xA	3	2.1
VR4601/VR8601xB VR4605/VR8605xB	3	4.2
VR4611/VR8611xB VR4615/VR8615xB	5	4.6
VR4601/VR8601EB VR4605/VR8605EB	3	4.2
VR4601/VR8601TB VR4605/VR8605TB	3	4.2
VR4601/VR8601VB VR4605/VR8605VB	3	4.6

Tabel 3: Doorstroomcapaciteit (in m³/h lucht)

Type*	ΔP (mbar)	
VR4601/VR8601x VR4605/VR8605x	3	3.1
VR4611/VR8611x VR4615/VR8615x	5	3.0
VR4621/VR8621x VR4625/VR8625x	5	3.0
VR4631/VR8631x VR4635/VR8635x	3	2.1

* x = type letteraanduiding

Tabel 4: Opgenomen vermogen en stroom

Nominal e voedingsspanning	Opgenomen vermogen bij nominale voedingsspanning (W)			Stroom bij nominale voedingsspanning (mA)		
	1 ^{ste} afsluiter (groot model spoel)	1 ^{ste} afsluiter (klein model spoel)	2 ^e afsluiter	1 ^{ste} afsluiter (groot model spoel)	1 ^{ste} afsluiter (klein model spoel)	2 ^e afsluiter
24 V, 50 Hz	7	3.5	3.8	450	280	211
24 V, 60 Hz	8.3	4.9	4.7	550	400	266
230 V, 50 Hz	8.3	4.8	4	60	42	23
220 V, 60 Hz	8.3	4.9	3.5	57	45	21.1

* Het warmte-anticipatieelement van de kamerthermostaat
 dient op deze stroomwaarde te worden ingesteld (indien
 van toepassing).

INBOUW

BELANGRIJK

Installatiewerkzaamheden dienen uitsluitend te geschieden door een erkend installateur of door bevoegd personeel.

Sluit de gastoevoer naar het toestel af alvorens met installatiewerkzaamheden te beginnen.

Schakel de elektrische voeding van de installatie uit alvorens met de bedrading te beginnen.

Voorkom het binnendringen van stof en vuil in in- en uitlaat door de afscherming pas vlak voor de montage te verwijderen.

Verricht na het voltooiën van de installatiewerkzaamheden alle noodzakelijke controles.

Indien de M5 aansluiting voor omschakeling van de Softlite en/of drukcompensatie niet wordt/worden toegepast is het aan te bevelen om een stofkap te monteren.

Montagestand

De beveiligingsafsluitercombinaties mogen worden gemonteerd onder een hoek van maximaal 90° in elke richting, gerekend vanuit de positie met de spoelen rechtop.

Aansluiting drukcompensatieleiding

ATTENTIE

Afknellen van de drukcompensatieleiding kan een verminderde werking van de drukregelaar veroorzaken.
Het gebruik van een metalen leiding wordt daarom aanbevolen.

Aansluiting hoofdgasleiding

- Gebruik uitsluitend conische fittingen die voldoen aan ISO 7-1 of nieuwe pijp die goed is ontbraamd en waaruit alle metaalschilfers zijn verwijderd.
- Breng niet teveel schroefdraad op het pijpuiteinde aan en schroef de pijp niet te ver in de beveiligingsafsluiter of de flens. Hierdoor kan de beveiligingsafsluiter vervormen of scheuren. Zie onderstaande tabel

Aansluitmaat (inch)	Maximale draadlengte (mm)
1/2"	18.6 mm

- Breng een matige hoeveelheid afdichtingsmiddel van goede kwaliteit op de pijp aan, maar houd de eerste twee draadgangen vrij. Als alternatief mag ook teflon afdichtingstape worden gebruikt, afdichtingspasta heeft echter de voorkeur.
- Indien een flens wordt toegepast, fit eerst de pijp aan de flens en monteer vervolgens de flens aan de beveiligingsafsluitercombinaties. Overtuigt U ervan dat de "O"-ring goed is aangebracht in de hiervoor bestemde uitsparing in de flens.
- Controleer of de stroomrichting van het gas overeenkomt met de pijlrichting op de onderzijde van de beveiligingsafsluiter.

Aansluiting aansteekbrander (alleen VR4601/VR8601)

- Werk het uiteinde van de leiding rechtop en verwijder de bramen.
- Schuif de klemfitting over het uiteinde van de leiding.
- Schuif de leiding zo diep mogelijk in de aansluiting van de beveiligingsafsluitercombinatie, breng de fitting op zijn plaats en draai hem handvast aan.
- Draai nu met behulp van een steeksleutel (11 mm), de klemfitting ongeveer driekwart slag voor 4 mm leiding en ongeveer twee slagen voor 6 mm leiding verder aan. In deze slag(en) breekt de klemring van de fitting af en wordt een gasdichte verbinding verkregen. **Gebruik geen afdichtingsmiddel!!**
- Sluit nu het andere uiteinde van de aansteekleiding aan op de aansteekbrander. Volg hierbij het montagevoorschrift van de fabrikant van de aansteekbrander op.

ATTENTIE

Na het vastdraaien van de klemfitting in de beveiligingsafsluiter de leiding niet meer buigen i.v.m. kans op gaslek.

Bedenk dat de lengte van de aansteekleiding en de plaatsing van de aansteekbrander van invloed zijn op de ontstekingstijd van de aansteekbrander. Deze tijd moet, ook onder minder gunstige omstandigheden, in overeenstemming zijn met de beschikbare veiligheidstijd van de brander-automaat.

Elektrische aansluiting

ATTENTIE

Schakel de voedingsspanning naar het toestel uit alvorens met de elektrische aansluiting te beginnen. Voorkom sluiting van de aansluitklemmen van zwakstroom beveiligingsafsluitercombinaties. Dit kan tot gevolg hebben dat het warmte anticipatie-element van de kamerthermostaat verbrandt. Bedrading moet voldoen aan de geldende voorschriften.

Teneinde een betrouwbaar sluiten van de beveiligingsafsluiter te realiseren, is het noodzakelijk dat de spanning over de aansluitklemmen tot 0 Volt gereduceerd wordt.

De elektrische installatie moet zodanig zijn uitgevoerd, dat zowel bij een regelstop als bij een beveiligingsingreep de spanningstoevoer naar beide kleppen wordt onderbroken.

Bedrading

Gebruik bij voorkeur bedrading die bestand is tegen een omgevingstemperatuur van 105°C.

De elektrische aan/uit regelklep is voorzien van vlakstekers geschikt voor 6.3 mm opschuifstekers (bijv. AMP faston, serie 250)

De elektrische aan/uit servogas regelklep is voorzien van vlakstekers geschikt voor 6.3 mm opschuifstekers (bijv. AMP faston, serie 250) en van schroefklemmen of van 6.3 mm opschuifstekers geschikt voor stekkers volgens DIN 43650. Voorkom aanrakingsgevaar van de AMP opschuifstekers en maak gebruik van isolatiehulzen.

Pas voor de voeding van zwakstroom beveiligingsafsluiters een veiligheidstransformator toe van voldoende vermogen.

Bedrading van brandersystemen met automatische ontsteking van de aansteekbrander.

De aansluiting dient overeenkomstig de instructies van de toestelfabrikant te worden uitgevoerd. Indien deze niet voorhanden zijn, zie dan het voorbeeld aansluitschema fig.2. bladzijde 27, met de Honeywell branderautomaat type S458.

Bedrading van brandersystemen met automatische ontsteking van de hoofdblander.

De aansluiting dient overeenkomstig de instructies van de toestelfabrikant te worden uitgevoerd. Indien deze niet voorhanden zijn, zie dan het voorbeeld aansluitschema fig. 3. bladzijde 27 met de Honeywell branderautomaat type S4560.



ATTENTIE

Voer na installatie van de beveiligingsafsluitercombinatie de volgende dichtheidscontrole uit:

Stel de hoofdblander in bedrijf en breng een lekopsporingsmiddel aan op alle gaszijdige aansluitingen van de gasregelcombinatie, zoals in- en uitlaat en de waakvlamaansluiting.

Als lekopsporingsmiddel kan eventueel ook een sterke zeep/water oplossing dienen. De vorming van bellen wijst op een lekkage.

De toegepaste middelen mogen geen agressieve bestanddelen bevatten.

INSTELLING, CONTROLE EN ONDERHOUD

BELANGRIJK

Instellingen dienen uitsluitend te geschieden door een erkende installateur of door bevoegd personeel.

De door de toestelfabrikant verstrekke controle- en service instructies dienen nauwgezet te worden opgevolgd. Indien deze niet voorhanden zijn, volg dan onderstaande richtlijnen.

Drukmeetnippel

De beveiligingsafsluitercombinatie is aan in- en uitlaatzijde uitgevoerd met een drukmeetnippel (9 mm dia.) voor de controle van de gasdruk.

Voor gebruik de schroef een halve slag losdraaien en de slang over de nippel schuiven.

Overtuigt U ervan dat de schroef na controle weer wordt vastgedraaid.

Aansteekbrander (VR4601/VR8601)



ATTENTIE

Houd er rekening mee, dat na een langere periode van stilstand (bijv. zomers) het tot 60 s kan duren voordat de aansteekbrander ontsteekt.

Instelling uitlaatdruk (zie fig. 1)

- Maak de aansluiting van de leiding voor de drukcompensatie van de verbrandingskamer los (indien van toepassing).
- De beveiligingsafsluitercombinatie moet elektrisch bekrachtigd zijn, voordat de uitlaatdruk kan worden ingesteld.
- Controleer of er gas door de beveiligingsafsluitercombinatie stroomt m.b.v. een gasverbruiksmeter of een manometer aangesloten op de drukmeetnippel aan de uitlaatzijde.
- Verwijder de afdekschroef van de drukinstelschroef.
- Verdraai met een schroevendraaier de drukinstelschroef langzaam tot de gewenste waarde is verkregen. Draai rechtsom voor verhoging en linksom voor verlaging van de uitlaatdruk.
- Draai bij de niet regelende uitvoering (LP-gas) de instelschroef rechtsom tot de aanslag.
- Plaats na instelling de afdekschroef weer op de drukregelbaar.
- Sluit de leiding voor de drukcompensatie van de verbrandingskamer opnieuw aan (indien van toepassing).

Controle van langzaam openende typen (Softlite)

De aanvangsdruk van de langzame opening is door de fabriek vastgesteld. Controleer het ontstekingsgedrag en het vlambeeld van de hoofdblander gedurende de periode van de geleidelijke gasvrijgave.

De hoofdblander dient vlot en rustig te ontsteken, zonder ongewenste verschijnselen zoals vlamomslag op het spuitstuk e.d. De vlam dient over alle branderpoorten over te lopen. Controleer dit gedrag enkele malen, waarbij tussen twee schakelingen tenminste 15 s hersteltijd in acht dient te worden genomen.

Herhaal deze controleprocedure nogmaals bij het toestel in koude toestand.

Eindcontrole

Alvorens de installatie te verlaten, dient het toestel in bedrijf te worden gezet en de werking tenminste gedurende een complete bedrijfscyclus te worden gecontroleerd, om er zeker van te zijn dat het brandersysteem naar behoren functioneert.

Onderhoud en service

Onder normale omstandigheden is geen onderhoud nodig. Schroeven die verzegeld zijn, mogen niet verwijderd worden.

VR46../VR86..

VALVOLA COMBinate PER GAS, PER SISTEMI DI ACCENSIONE AUTOMATICI

FOGLIO DI ISTRUZIONE

APPLICAZIONE E DESCRIZIONE

Le valvole combinate per gas VR46../VR86.. sono state studiate per essere applicate in apparecchi a gas, ad uso domestico o commerciale, dotati di bruciatore atmosferico con accensione automatica.

Le valvole combinate VR46../VR86.. vengono utilizzate in diversi tipi di sistemi: con accensione diretta (DSI), con pilota intermittente (IP), con moduli di controllo, con programmatori di accensione e con circuiti di controllo del bruciatore principale.

Le valvole combinate per gas VR46../VR86.. sono adatte per funzionare con le tre famiglie principali di gas combustibile: manifatturati, naturali e liquefatti; rispettivamente della 1^a, 2^a e 3^a famiglia.

Le valvole combinate per gas VR46../VR86.. sono approvate secondo le norme vigenti in Europa.

Le valvole combinate per gas VR46../VR86.. controllano tutte le funzioni richieste per la sicurezza, la regolazione della portata del bruciatore pilota e di quello principale, impiegati in apparecchi di riscaldamento ad acqua, ad aria e ad acqua sanitaria.

Le valvole combinate per gas VR46../VR86.. comprendono un corpo di base ed una serie di sotto insiemi assemblati in fabbrica per la realizzazione di un'estesa gamma di versioni. Per completare la famiglia di valvola sono inoltre disponibili diverse opzioni: servo regolatore di pressione, dispositivo di lenta accensione commutabile, solenoide supplementare per 2 livelli di pressione, dispositivo termostatico per la modulazione della pressione.

Le valvole combinate per gas VR46../VR86.. sono costituite essenzialmente da una prima valvola di sicurezza ON/OFF, elettricamente comandata, di classe A o B secondo le norme EN 161; una seconda servo valvola per l'apertura ON/OFF della valvola principale di classe B, C o J.

CARATTERISTICHE TECNICHE

Modelli

Serie VR46.: tensione di linea

Serie VR86.: bassa tensione

Serie VR4601/VR8601 :

doppie valvole automatiche con collegamento intermedio di pilota intermittente (IP)

Serie VR4605 /VR8605 :

doppie valvole automatiche per accensione diretta tramite scintille (DSI) o tramite resistenza calda (HSI).

NOTA:

La sigla di ogni modello termina con una lettera di suffisso.

La famiglia si suddivide in 3 serie:

- a basso portata: con lettera "A" dopo la sigla (per esempio VR4601xA)
- a media portata: senza lettera dopo la sigla (per esempio VR4601x)
- ad alto portata: con lettera "B" dopo la sigla (per esempio VR4601xB)

x = suffisso

Suffisso

- A: apertura rapida con regolatore di pressione
- B: apertura rapida senza regolatore di pressione
- C: apertura lenta con regolatore di pressione
- D: apertura lenta senza regolatore di pressione
- H: apertura lenta con regolatore di modulazione (Modulec)
- M: apertura rapida con regolatore di modulazione (Modureg)
- N: apertura lenta con regolatore di modulazione (Modureg)
- P: apertura rapida con regolatore alto-basso
- Q: apertura lenta con regolatore alto-basso
- R: apertura rapida con regolatore di pressione per sistemi di regolazione aria/gas

Tipi di valvola

Vedi fig. 1. pagina 25

Regolatore di pressione

Classe B dalle norme EN 88

Dimensioni della tubazione

I collegamenti, per le tubazioni, sono realizzati per soddisfare quanto previsto dalle norme EN 161.

- Entrata e uscita 1/2" ISO 7-1 filettatura parallela.
- Entrata 1/2" ISO 7-1 filettatura parallela e uscita Ø18.6 mm.
- Entrata Ø18.6 mm e uscita 1/2" ISO 7-1 filettatura parallela.
- Entrata e uscita Ø23 mm
- Entrata 1/2" ISO 7-1 filettatura parallela e uscita laterale Ø14 mm.

Entrata e uscita sono predisposti per il montaggio di flange.

Collagomente del bruciatore pilota (se del caso)

4 mm o 6 mm diametro esterno del tubetto.

Collegamento speciale (optional): Incluso nella uscita laterale.

Collagomente della pressione di ritorno (contropressione al bruciatore)

Il regolatore ha un foro filettato M5 al fine di consentire la connessione della pressione di reazione.

Temperatura ambiente

VR46../VR86..xA: 0 ... 60°C (ad eccezione di particolari tipologie per cui 0...70°C)

VR46../VR86..x: 0 ... 60°C

VR46../VR86..xB: 0 ... 60°C

Capacità di regolazione minima

0.31 m³/h aria

Minima pressione differenziale a 0.31 m³/h di aria

Modello*	mbar
VR4601/VR8601x VR4605/VR8605x	1.7
VR4611/VR8611x VR4615/VR8615x	3.9
VR4621/VR8621x VR4625/VR8625x	3.9
VR4631/VR8631x VR4635/VR8635x	1.7
VR4641/VR8641x VR4645/VR8645x	3.9
VR4641V/VR8641V VR4645V/VR8645V	3.9
VR4601/VR8601xA VR4605/VR8605xA	1.8
VR4611/VR8611xA VR4615/VR8615xA	3.9
VR4621/VR8621xA VR4625/VR8625xA	3.9
VR4631xA/VR8631xA VR4635xA/VR8635xA	1.8
VR4601xB VR4605xB	1.7
VR4611xB/VR8611xB VR4615xB/VR8615xB	3.9
VR4601EB/VR8601EB VR4605EB/VR8605EB	1.3
VR4601TB/VR8601TB VR4605TB/VR8605TB	1.3
VR4611VB/VR8611VB VR4615VB/VR8615VB	3.9

* x = suffisso

Classificazione della valvola

Modelli	Classificazione	
	1° valvola	2° valvola
VR4601/VR8601 VR4605/VR8605	B	J
VR4611/VR8611 VR4615/VR8615	B	C
VR4621/VR8621 VR4625/VR8625	B	B
VR4641/VR8641 VR4645/VR8645	A	C

Tempi operativi

Tempo di chiusura 1 s

Tempo morto:

- modelli apertura rapida: 1 s max.
- modelli apertura rapida con 2° valvola class B: 0.55 s
- modelli apertura lenta: vedi tabella 1

Tempo di apertura:

- modelli apertura rapida: 1 s fino al 50% della pressione richiesta.
- modelli apertura rapida con 2° valvola class B: 1 s fino al 7 mbar pressione d'uscita.
- modelli apertura lenta: 1.5 s fino al valore medio della pressione prefissata per l'apertura.

Tabella 1:

Tipo di gas	Pressione entrata (mbar)	Tempo morto (s)
G 20/G 25	20	1.5 max.
G 30/G 31	37	1.8 max.
G 30/G 31	50	1.5 max.

Pressione massima di funzionamento

Le pressione massima indicate per l'uso della valvola, sono valori garantiti per un buon funzionamento. Il livello massimo della pressione d'uscita, dipende dal campo delle pressioni del regolatore utilizzato sulla valvola (vedere tabella qui sotto).

Modello	Campo della pressione (mbar)	Massima pressione (mbar)
con regolatore	2 ... 10 2.5 ... 20	30
	3 ... 37*	45
	5 ... 50*	60
	10 ... 60*	100
senza regolatore	-	60

* Questo tipo può anche essere utilizzato senza regolatore per applicazioni con gas G.P.L.

Specifiche elettriche

Vedi tabella 2.

Capacità

Vedi tabella 3.

Grado di protezione

IP 40 con coperchi Honeywell

IP 44 con connettori DIN 43650

Fori di montaggio

Sotto la valvola ci sono due fori M5 per il fissaggio della medesima.

In ingresso come in uscita ci sono quattro fori M5 per 6.5mm utili per il collegamento della flangia.

Tabella 2: Specifiche elettriche

Tensione nominale	Consumo energetico a tensione nominale (W)			Corrente a tensione nominale (mA)		
	1° solenoide (bobina grande)	1° solenoide (bobina piccola)	2° solenoide	1° solenoide (bobina grande)	1° solenoide (bobina piccola)	2° solenoide
24 V, 50 Hz	7	3.5	3.8	450	280	211
24 V, 60 Hz	8.3	4.9	4.7	550	400	266
230 V, 50 Hz	8.3	4.8	4	60	42	23
220 V, 60 Hz	8.3	4.9	3.5	57	45	21.1

** Regolare l'anticipatore termico del termostato a questi valori.

Tabella 3: Capacity (in m³/h airia)

Modello*	ΔP (mbar)	
VR4601/VR8601x VR4605/VR8605x	3	3.1
VR4611/VR8611x VR4615/VR8615x	5	3.0
VR4621/VR8621x VR4625/VR8625x	5	3.0
VR4631/VR8631x VR4635/VR8635x	3	2.1
VR4641/VR8641x VR4645/VR8645x	5	1.8
VR4641V/VR8641V VR4645V/VR8645V	10	5.4
VR4601/VR8601xA VR4605/VR8605xA	3	2.1
VR4611/VR8611xA VR4615/VR8615xA	5	1.8
VR4621/VR8621xA VR4625/VR8625xA	5	3.5
VR4631/VR8631xA VR4635/VR8635xA	3	2.1
VR4601/VR8601xB VR4605/VR8605xB	3	4.2
VR4611/VR8611xB VR4615/VR8615xB	5	4.6
VR4601/VR8601EB VR4605/VR8605EB	3	4.2
VR4601/VR8601TB VR4605/VR8605TB	3	4.2
VR4601/VR8601VB VR4605/VR8605VB	3	4.6

* x = suffisso

MONTAGGIO**IMPORTANTE**

L'installatore deve essere un tecnico qualificato e competente.

Chiudere il gas prima di cominciare il montaggio.

Disinserire l'alimentazione elettrica per evitare il rischio di scosse e/o di anni all'impianto.

Non togliere la protezione sull'entrata e sull'uscita della valvola fino al momento del montaggio della flangia.

Se non viene eseguito il collegamento della pressione di ritorno, si consiglia di utilizzare la protezione per l'apposito foro M5 .

Posizione di montaggio

Queste valvole per gas possono essere montate, con l'asse della bobina, in qualsiasi posizione compresa tra la verticale e l'orizzontale.

Collegamento della tubazione del gas

- Fare attenzione che lo sporco non entri nel corpo valvola durante il montaggio.
- Utilizzare un raccordo conico per tubi di buona qualità, con filettatura a norma ISO 7-1, o un pezzo di tubo nuovo bon alesato, senza graffi.
- Non filettare o serrare troppo il tubo o il raccordo (vedi tabella qui sotto), altrimenti si potrebbe danneggiare la valvola, compromettendone il buon funzionamento.

Diametro del tubo	Lunghezza massima della filettatura del tubo
1/2"	18.6 mm

- Applicare una piccola quantità di sigillante per filettatura di buona qualità soltanto sul tubo o sul raccordo, lasciando le due estremità filettate libere; come alternativa, utilizzare del nastro PTFE.
- Assicurarci che il gas fluisca nella stessa direzione della freccia visibile sulla parte inferiore della valvola.

Collegamento della contropressione



ATTENZIONE

Per evitare una riduzione della prestazioni caratteristiche del regolatore di pressione, dovuto a schiacciamento accidentale del tubo flessibile di collegamento della contropressione, si consiglia l'utilizzo di tubo metallico.

Collegamento del bruciatore pilota (solo sui VR4601/VR8601)

- Regolare la lunghezza effettiva del tubo e asportare le sbavature.
- Fare scorrere il raccordo di compressione sul tubo. Inserire quest'ultimo nell'alloggiamento della valvola del gas fino a toccare il fondo, fare scorrere il raccordo di tenuta fino a raggiungere la posizione adeguata e serrare manualmente.
- Tenere il tubo per impedire che ruoti e stringere con la chiave l'innesto a pressione di circa due giri oltre la posizione raggiunta per tubi da 6 mm e di circa $\frac{3}{4}$ di giro per tubi da 4 mm. Non usare sigillanti.
- Collegare l'altra estremità della tubo al pilota, secondo le istruzioni del fabbricante di tale dispositivo.



ATTENZIONE

Non piegare il tubo collegato con il regolatore dopo aver effettuato il collegamento del raccordo di tenuta, perché ciò potrebbe provocare una fuga di gas al punto di collegamento.

Considerare che la lunghezza del tubetto di connessione al pilota e le caratteristiche del pilota stesso, possono avere delle influenze sul tempo di accensione della fiamma pilota. Questo può interferire con i tempi di accensione prestabiliti.

Connessioni elettriche



ATTENZIONE

Disinserire l'alimentazione prima di effettuare le connessioni elettriche.

Non bisogna mai mettere in derivazione i morsetti della valvole del gas a bassa tensione perché si potrebbe fondere l'anticipatore termico del termostato ambiente. Per assicurare una chiusura in sicurezza della valvola, è essenziale che il voltaggio sui terminali dell'operatore sia ridotto a 0 Volt.

Ricordarsi che l'intervento del termostato di regolazione diseccita le due valvole.

Utilizzare fili conduttori che resistano ad una temperatura di 105°C ambiente.

Il primo operatore elettrico è fornito di terminali a rapida connessione della misura di 6.3 mm (serie 250 della AMP)

Il secondo operatore elettrico è fornito di terminali a rapida connessione della misura di 6.3 mm (serie 250 della AMP) o di terminali a rapida connessione della misura di 6.3 mm (serie 250 della AMP) per connettore femmina secondo DIN 43650.

Collegamento elettrico della valvole per gas in un sistema a pilota intermittente (IP)

Le istruzioni del costruttore dell'apparecchiatura devono essere sempre seguite quando sono disponibili. In caso contrario vedere fig. 2. pagina 27 per sistema tipico con dispositivo Honeywell S458A.

Collegamento elettrico della valvole per gas in un sistema ad accensione diretta (DSI)

Le istruzioni del costruttore dell'apparecchiatura devono essere sempre seguite quando sono disponibili. In caso contrario vedere fig.3. pagina 27 per sistema tipico con dispositivo Honeywell S4560.

IMPORTANTE

Prova di tenuta dopo l'installazione

La prova di perdita gas si effettua come segue: Mantenendo il bruciatore principale in funzione, distendere una soluzione saponosa spessa sui raccordi del tubo, sul giunto del gas del bruciatore pilota e sull'entrata ed uscita del dispositivo di controllo. La formazione di bolle indica una fuga di gas. Non usare sapone corrosivo.

Usare prudenza nell'uso di soluzioni saponose evitando di riempire orifici o aperture di scarico della valvola. Questo eviterà di rilevare false perdite durante il funzionamento della valvola.

REGOLAZIONI, VERIFICHE E MANUTENZIONE

IMPORTANTE

Le regolazioni vanno effettuate esclusivamente da tecnici qualificati.

Se il fabbricante dell'impianto fornisce istruzioni per la verifica e/o per la manutenzione, seguire scrupolosamente. Qualora non fossero fornite istruzioni, seguire il procedimento descritto qui sotto.

Fora per presa di pressione

La valvola multifunzionale è fornita con due fori per la presa di pressione, d'entrata e d'uscita, del diametro esterno di 9 mm. Quando si verifica la pressione, allentare la vite di mezzo giro e fare scorrere il tubo sul raccordo filettato.

Bruciatore pilota (VR4601/VR8601)



ATTENZIONE

Dopo un lungo tempo di arresto (es. estate) possono occorrere più di sessante secondi per l'accensione della bruciatore pilota.

Regolazione della pressione di uscita (vedi fig. 1)

- Staccare la connessione della pressione di reazione (se c'è).
- Assicurarsi che i solenoidi siano eccitati e vi sia la massima portata di gas al bruciatore.
- Verificare la portata del gas con un contatore volumetrico o con un manometro collegato alla **presa di pressione in uscita**.
- Rimuovere il coperchio della vite di regolazione della pressione
- Con un cacciavite, girare lentamente la vite di regolazione fino ad ottenere, sul manometro, la pressione richiesta dal bruciatore. Girare la vite di regolazione in senso orario per aumentare la pressione e in senso antiorario per diminuire.
- Modo operativo di non regolazione (gas G.P.L.) girare la vite di regolazione in senso orario fino a l'arresto.
- Rimettere il coperchio della vite di regolazione della pressione.
- Ricollegare il tubo della contropressione (se c'è).

Verifica dell'apertura lenta

La pressione di apertura lenta è regolata in fabbrica. Verificare il funzionamento del bruciatore a questa pressione, osservando l'accensione del bruciatore e le caratteristiche della fiamme. Il bruciatore dovrebbe accendersi rapidamente e completamente senza ritorno di fiamme verso gli iniettori. Ripetere l'operazione di accensione più volte, intervallate da almeno 15 s.

Verifica finale

Prima di considerare concluse tutte le operazioni, mettere in funzione il sistema e consentirgli di eseguire un intero ciclo onde assicurarsi che tutti i componenti del sistema funzionino adeguatamente.

Manutenzione e assistenza

Nelle normali condizioni d' impiego, la manutenzione non è necessaria. Le viti sigillate sulla valvola non devono mai essere rimosse.

VR46../VR86..

VANNES GAZ COMBINEES POUR SYSTEMES A ALLUMAGE AUTOMATIQUES

FEUILLE D'INSTRUCTIONS

DESCRIPTION ET APPLICATION

VR46../VR86.. vannes combinées gaz sont constitués d'un clapet a ouverture électrique directe en série avec un clapet servo regulé a ouverture électrique.

Le premier clapet a une fermeture automatique de classe B selon la norme EN 161.

Le second clapet a une fermeture automatique de classe B, C ou J selon la norme EN 161.

VR46../VR86.. vannes combinées gaz ont été spécialement développées pour les applications domestiques et tertiaires moyens utilisant des brûleurs atmosphériques sans veilleuse permanente.

VR46../VR86.. vannes combinées gaz sont utilisées dans le contexte d'un système en conjonction avec soit: un allumage direct du brûleur soit: un boîtier de contrôle et associé à des produits assurant l'allumage, la sécurité et la supervision du brûleur principal de l'appareil.

VR46../VR86.. vannes combinées gaz sont prévues pour être utilisées avec les gaz de ville et naturels (1^{ère} et 2^{ème} familles de gaz).

VR46../VR86.. vannes combinées gaz sont approuvées aux normes Européennes.

SPECIFICATIONS

Modèles

Série VR46.. reseau tension

Série VR86.. basse tension

Série VR4601/VR8601:

Vanne automatique avec double clapet pour allumage direct per veilleuse intermittente.

Série VR4605/VR8605:

Vanne automatique avec double clapet pour allumage direct par étincelage ou par électrode incandescente.

Suffixe

- A: ouverture rapide avec régulateur
- B: ouverture rapide sans régulateur
- C: ouverture lente avec régulateur
- D: ouverture lente sans régulateur
- H: ouverture lente avec Modulec
- M: ouverture rapide avec Modureg
- N: ouverture lente avec Modureg
- P: ouverture rapide avec régulateur Tout-Peu
- Q: ouverture lente avec régulateur Tout-Peu
- R: ouverture rapide avec régulateur et applicable en gaz/air contrôle système

NOTE:

La lettre qui suit les suffixes ci-dessus signifie:

xA: Vanne de bas débit

xB: Vanne de haut débit

* x = suffixe

Dimensions

Voir fig. 1. page 25

Régulateur de pression

Classe B selon la norme EN 88

Raccordement

Les raccords ont été développés pour répondre à la norme EN 161 groupe 2.

- Entrée et sortie 1/2" ISO 7-1 filetage femelle parallèle.
- Entrée Ø18.6 mm sans filetage et sortie 1/2" ISO 7-1 filetage femelle parallèle.
- Entrée 1/2" ISO 7-1 filetage femelle parallèle et sortie Ø18.6 mm sans filetage.
- Entrée 1/2" ISO 7-1 filetage femelle parallèle et sortie latérale Ø14 mm sans filetage.
- Entrée et sortie Ø 23 mm sans filetage.

Les raccords entrée et sortie sont prévus pour recevoir des brides.

Raccordement veilleuse (s'il y a lieu)

4 mm ou 6 mm diamètre extérieur

Raccordement spécial (optionnel) est enfermé dans la sortie latérale.

Connexion de retour de pression

Afin d'équiper l'ensemble brûleur d'une liaison de retroaction de pression, le régulateur de pression est fourni avec un trou M5 pour raccordement avec la chambre de combustion.

Temperature ambiante

VR46../VR86..xA: 0 ... 60°C *(Sauf pour les types qui ont consacré 0 ... 70°C)

VR46../VR86..x: 0 ... 60°C

VR46../VR86..xB: 0 ... 60°C

Capacité minimale réglage

0.31 m³/h air

Capacité

Voir tableau 4.

Les courbes peuvent être fournies sur demande.

Caractéristique électriques

Voir tableau 3.

Boîtier

IP 40 avec utilisation d'un couvercle or d'un connecteur

IP 44 avec utilisation d'un connecteur conforme à DIN 43650

Orifice de fixation du bloc combiné

Deux trous M5 sont situés sous le bloc.

Quatre trous M5 taraudés sur 6.5 mm sont prévus pour la fixation des brides.

Pression maximale de fonctionnement

La valeur de P_{max} indiquée sur le bloc gaz est la pression maximum à laquelle le bloc gaz fonctionne en toute sécurité. Cependant la pression maximum de fonctionnement est limitée par la gamme de pression du régulateur concerné (voir tableau 1.).

Tableau 1:

Modèle	Gamme de pression du régulateur (mbar)	Pression maximale de fonctionnement (mbar)
avec régulation	2 ... 10 2.5 ... 20	30
	3 ... 37*	45
	5 ... 50*	60
	10 ... 60*	100
sans régulation	-	60

* Ce modèle peut être utilisé en G.P.L. lorsque la régulation n'est pas nécessaire, dans le cas, visser à fond la vis de réglage du régulateur.

Classement des vannes

Modèle	Classe	
	1 ^{ère} vanne	2 ^{ème} vanne
VR4601/VR8601 VR4605/VR8605	B	J
VR4611/VR8611 VR4615/VR8615	B	C
VR4621/VR8621 VR4625/VR8625	B	B
VR4641/VR8641 VR4645/VR8645	A	C

Pression minimale de fonctionnement à 0.31 m³/h air

Modèle*	mbar
VR4601/VR8601x VR4605/VR8605x	1.7
VR4611/VR8611x VR4615/VR8615x	3.9
VR4621/VR8621x VR4625/VR8625x	3.9
VR4631/VR8631x VR4635/VR8635x	1.7
VR4641/VR8641x VR4645/VR8645x	3.9
VR4641V/VR8641V VR4645V/VR8645V	3.9
VR4601/VR8601xA VR4605/VR8605xA	1.8
VR4611/VR8611xA VR4615/VR8615xA	3.9
VR4621/VR8621xA VR4625/VR8625xA	3.9
VR4631xA/VR8631xA VR4635xA/VR8635xA	1.8
VR4601xB VR4605xB	1.7
VR4611xB/VR8611xB VR4615xB/VR8615xB	3.9
VR4601EB/VR8601EB VR4605EB/VR8605EB	1.3
VR4601TB/VR8601TB VR4605TB/VR8605TB	1.3
VR4611VB/VR8611VB VR4615VB/VR8615VB	3.9

* x = suffixe

Programme

Temps de fermeture: 1 s

Temps mort:

- modèle ouverture rapide: 1 s max. -modèle ouverture rapide avec le 2^{ème} clapet classe B: 0.55 s
- modèle ouverture lente: voir tableau 2.

Temps d'ouverture:

- modèle ouverture rapide: 1 s à partir de départ à 50% de pression de réglage.
- modèle ouverture rapide avec 2^{ème} le clapet classe B: 1 s à partir de départ à 7 mbar pression de sortie.
- modèle ouverture lente: 1.5 s à partir de départ à pression d'ouverture lente.

Tableau 2:

Gas	Pression d'entrée (mbar)	Temps mort (s)
G 20/G 25	20	1.5 max.
G 30/G 31	37	1.8 max.
G 30/G 31	50	1.5 max.

Tableau 3: Caractéristique électriques

Tension nominale	Consommation à tension nominale (W)			Courant à tension nominale (mA)		
	1 ^{ère} opérateur (grande bobine)	1 ^{ère} opérateur (petite bobine)	2 ^{ème} opérateur	1 ^{ère} opérateur (grande bobine)	1 ^{ère} opérateur (petite bobine)	2 ^{ème} opérateur
24 V, 50 Hz	7	3.5	3.8	450	280	211
24 V, 60 Hz	8.3	4.9	4.7	550	400	266
230 V, 50 Hz	8.3	4.8	4	60	42	23
220 V, 60 Hz	8.3	4.9	3.5	57	45	21.1

** Régler l'anticipateur de chaleur du thermostat (au cas qu'application) sur cette valeur.

de sortie du bloc avant que l'appareil soit prêt à être installé.

Si le trou M5 pour raccordement l'interrupteur de changer de la pression d'ouverture lente et/ou raccordement de liaison de retroaction de pression n'être pas utilisé, c'est recommandée à appliquer un capuchon antipoussière .

Tableau 4: Capacité (en m³/h air)

Modèle*	ΔP (mbar)	
VR4601/VR8601x VR4605/VR8605x	3	3.1
VR4611/VR8611x VR4615/VR8615x	5	3.0
VR4621/VR8621x VR4625/VR8625x	5	3.0
VR4631/VR8631x VR4635/VR8635x	3	2.1
VR4641/VR8641x VR4645/VR8645x	5	1.8
VR4641V/VR8641V VR4645V/VR8645V	10	5.4
VR4601/VR8601xA VR4605/VR8605xA	3	2.1
VR4611/VR8611xA VR4615/VR8615xA	5	1.8
VR4621/VR8621xA VR4625/VR8625xA	5	3.5
VR4631/VR8631xA VR4635/VR8635xA	3	2.1
VR4601/VR8601xB VR4605/VR8605xB	3	4.2
VR4611/VR8611xB VR4615/VR8615xB	5	4.6
VR4601/VR8601EB VR4605/VR8605EB	3	4.2
VR4601/VR8601TB VR4605/VR8605TB	3	4.2
VR4601/VR8601VB VR4605/VR8605VB	3	4.6

* x = suffixe

Position de montage

Ces blocs combinés peut être montés dans n'importe quelle position variant entre 0 et 90 degrés par le rapport à la verticale, c'est-à-dire par rapport à la position où les solénoïdes sont vertical.

Raccordement du bloc combiné

- Assurer vous qu'aucun corps étranger ne puisse entrer dans le bloc combiné pendant les manipulations.
- Utiliser un tube neuf proprement chanfreiné et sans bavures.
- Malgré la butée, ne pas visser ou serrer le tube trop fort, il en résulterait une déformation et un mauvais fonctionnement du bloc combiné

Ø du tube	Longueur maximum du filetage
1/2"	18.6 mm

- Appliquer un enduit de bonne qualité et quantité modérée sur les deux derniers filets du tube.
- S'assurer que le débit de gaz est dans la direction de flèche gravée dessous le bloc combiné.

INSTALLATION

IMPORTANT

L'installateur doit être professionnel expérimenté et compétent.

Couper l'alimentation en gaz avant de commencer le montage.

Couper l'alimentation électrique pour éviter toute décharge électrique et/ou dommage au matériel.

Ne pas retirer les auto-collants de l'orifice d'entrée et

Raccordement le pression de retour

ATTENTION

Afin d'éviter une diminution de performance du régulateur de pression du fait l'un pincement du tube de la pression de retour, il est recommandé d'utiliser un tube métallique.

Raccordement de la veilleuse

- Poncer l'extrémité du conduit et éliminer les bavures.
- Glisser le raccord à compression sur l'extrémité du tube. Enfoncer le tube dans l'orifice d'alimentation de la veilleuse jusqu'à ce qu'il bute contre l'épaulement, positionner correctement le raccord et serrer le à la main.
- Maintenir le tube pour l'empêcher de tourner et serrer de deux tours supplémentaires le raccord de compression pour tube 6 mm et de $\frac{3}{4}$ tour supplémentaires le raccord de compression pour tube 4 mm à l'aide d'une clé à vis, pour réaliser un joint résistant à la pression.
- Raccorder l'autre extrémité du tube à la veilleuse, en respectant scrupuleusement les instructions de montage du constructeur.

ATTENTION

Ne pas plier le tube placé sur le bloc après serrage de la fixation car cela pourrait provoquer une fuite de gaz au raccord.

La longueur du conduit et les caractéristiques de la veilleuse ont une influence sur le temps d'allumage de celle ci. Cela peut modifier le temps d'allumage souhaité.

Raccordement électriques

ATTENTION

Interrompre l'alimentation électrique avant de procéder aux raccordements électriques.

Ne jamais shunter les bornes du bloc à gaz à basse tension: cela pourrait détériorer l'anticipateur de chaleur du thermostat d'ambiance.

Le câblage doit être conforme aux normes électriques applicables et aux réglementations locales.

Afin d'obtenir une fermeture parfaite de la vanne à gaz en période d'arrêt entre chaque cycle, il est essentiel que la tension aux bornes de l'opérateurs soit nulle (0 Volt).

Lorsque le limiteur fait son office, les deux solénoïdes ne sont plus alimentés.

Utiliser du câble qui peut résister à 105°C ambiante.

Le première opérateur est munie avec de bornes AMP à raccordement rapide qui conviennent pour des prises 6.3 mm (par exemple fixations AMP de la "série 250").

Le deuxième opérateur est munie avec de bornes AMP à raccordement rapide qui conviennent pour des prises 6.3 mm (par exemple fixations AMP de la "série 250") ou avec de bornes qui conviennent pour un connecteur femelle conforme à DIN 46350.

Câblage dans les systèmes à veilleuse intermittente (IP)

Les instructions du constructeur de l'appareil doivent être suivies si elles sont fournies. Si elles ne sont pas fournies voir fig. 2. page 27 pour une système utilisant le boîtier du contrôle Honeywell S458.

Câblage dans les systèmes direct à étincelle (DSI)

Les instructions du constructeur de l'appareil doivent être suivies si elles sont fournies. Si elles ne sont pas fournies voir fig. 3. page 27 pour une système utilisant le boîtier du contrôle Honeywell S4560.

ATTENTION

Test d'étanchéité après d'installation

Afin de détecter les éventuelles fuites de gaz, procéder comme suit:

Badigeonner les raccordements, joints de connection avec de l'eau savonneuse.

Mettre l'appareil en fonctionnement et rechercher la présence de bulles signifiant une fuite de gaz.

Remédier à cette fuite; ne pas utiliser de solution savonneuse agressive.

RÉGLAGES, VÉRIFICATION ET MAINTENANCE

ATTENTION

Les réglages doivent être effectués exclusivement par des personnes qualifiées.

Il est impératif de suivre scrupuleusement les instructions du fabricant en matière de vérification et d'entretien si de telles instructions sont fournies. Dans le cas contraire, suivre la procédure d'écrite ci-dessous.

Prises de pression

Le bloc combiné est équipé d'une prise de pression à l'entrée et à la sortie de 9 mm. Lorsque vous vérifiez la pression, dévissez la vis d'un demi tour et faire glisser le tuyau de manomètre sur le mamelon.

Veiller à resserrer la vis après le test.

La veilleuse (VR4601/VR8601 seulement)

REMARQUE:

Il est à noter, qu'après un long temps d'arrêt (été) il est possible que l'allumage de la veilleuse demande plus de 60 secondes.

Réglage de la pression de sortie (voir fig. 1)

- Déconnecter le tube de liaison entre le régulateur et la chambre de combustion (si cette connexion existe).
- Les opérateurs électriques doit être en fonction pour qu'il y ait alimentation en gaz au brûleur.
- Vérifier l'alimentation de l'appareil en ayant recours à un gazomètre ou éventuellement à un manomètre relié à la prise de pression de sortie.
- Retirer le bouchon de la vis de réglage du régulateur.
- Tourner doucement la vis de réglage au moyen d'un tournevis jusqu'à ce qu'on lise sur le manomètre la pression nécessaire pour le brûleur. Tourner la vis de réglage dans le sens des aiguilles d'une montre pour augmenter la pression et dans le sens contraire pour la diminuer.
- Pour les gaz propane et butane, il est ulité d'annuler la régulation de pression, visser la vis de réglage dans le sens des aiguilles d'une montre jusqu'au bloquâge.
- Replacer le bouchon sur la vis de réglage du régulateur.
- Connecter le tube de liaison entre le régulateur et la chambre de combustion (si cette connexion existe).

Vérification du ralenti d'allumage

La pression d'ouverture lente des modèles à ralenti d'allumage est réglée en usine. Contrôler le fonctionnement du brûleur à cette pression en observant les caractéristiques d'allumage et la flamme de celui-ci.

Le brûleur doit s'allumer rapidement et sans prise de feu à l'injecteur et tous les orifices doivent rester allumée. Répéter l'opération d'allumage plusieurs fois (attendre 15 s entre deux opérations pour permettre au servo régulateur de reprendre sa position initiale). Répéter après refroidissement de l'appareil.

Vérification finale

Avant de quitter l'installation laisser l'appareil en fonctionnement et observer durant un cycle complet pour s'assurer que les composants du système fonctionnement correctement.

Maintenance

En utilisation normale, aucune maintenance n' est pas requise.

Les vis scellées sur le bloc combiné ne doivent jamais être dévissées.

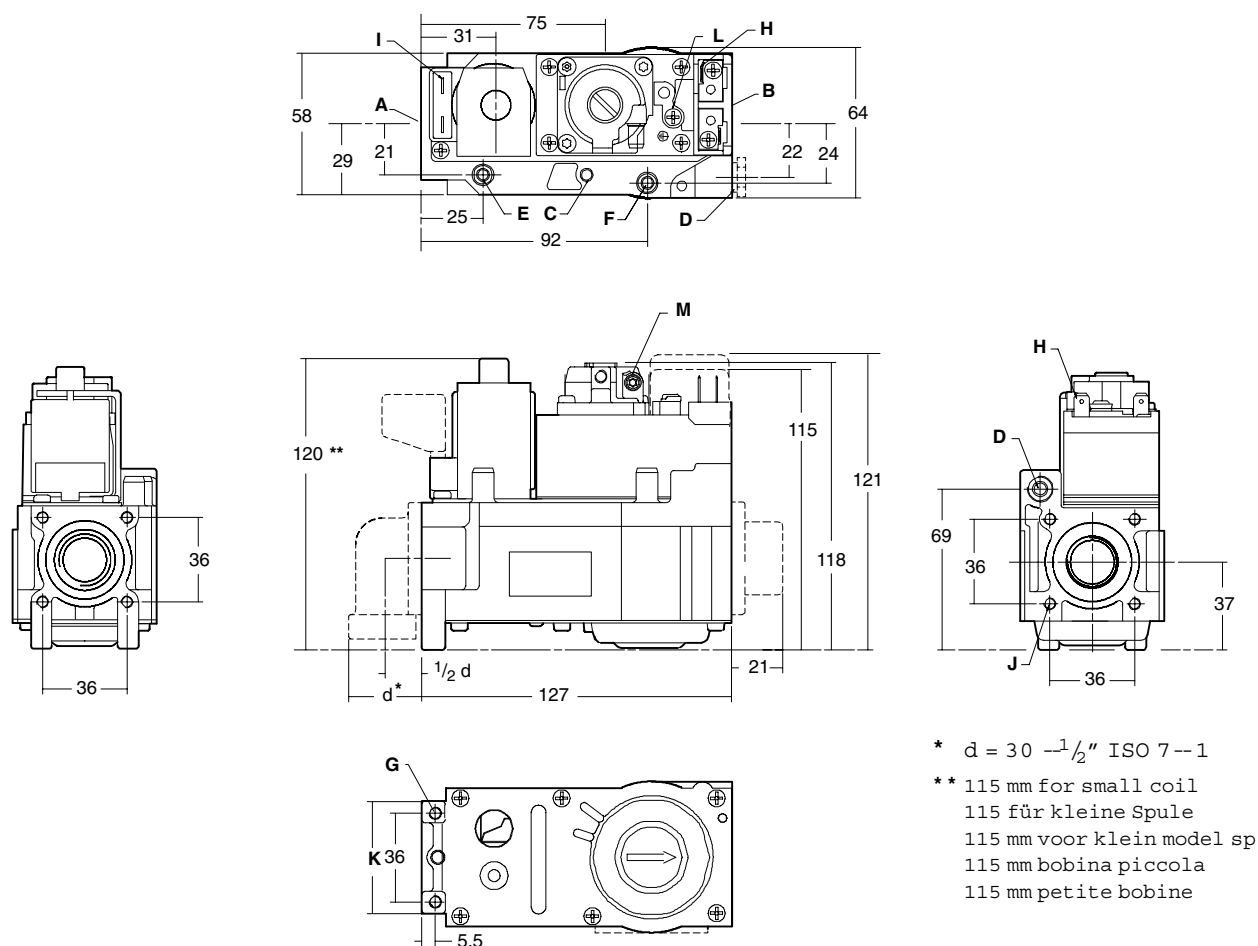


Fig. 1.
Abb. 1.

GB

- A** - Inlet
- B** - End outlet
- C** - M5 connection for switchable outlet (where applicable)
- D** - Pilot outlet (where applicable)
- E** - Inlet pressure tap
- F** - Outlet pressure tap
- G** - M5 mounting holes
- H** - 6.3 mm AMP terminals and screws for wiring
- I** - 6.3 mm AMP terminals
- K** - Surface to be clamped
- L** - Earth terminal/screw (line voltage models only)
- M** - M5 pressure feedback connection (where applicable)
- N** - Pressure regulator adjustment screw

D

- A** - Eingang
- B** - End Ausgang
- C** - M5 Anschlüsse für Umstelladapter der Langsamöffnung (falls anwendbar)
- D** - Zündgasaustritt (falls anwendbar)
- E** - Eingangsdruckmessnippel
- F** - Ausgangsdruckmessnippel
- G** - M5 Montagelöcher
- H** - 6.3 mm AMP Steck- und Schraubanschlüsse
- I** - 6.3 mm AMP Steckanschlüsse
- K** - Nur die mit K bezeichneten Stellen zum Einspannen oder Befestigen benutzen.
- L** - Erdungsschraube (nur bei 220/240V ~ 50 Hz oder 220V ~ 60 Hz Typen)
- M** - M5 Gewindeanschlussbohrung für Druck-rückmeldungs-Kompensation
- N** - Druckregler-Einstellschraube

NL

- A** - Inlaat
- B** - Eind uitlaat
- C** - M5 aansluiting voor omzetten Softlite druk (indien van toepassing)
- D** - Aansluiting aansteekgas (indien van toepassing)
- E** - Inlaatdruk meetnippel
- F** - Uitlaatdruk meetnippel
- G** - M5 montagegaten
- H** - 6.3 mm AMP vlakstekers en schroeven voor bedrading
- I** - 6.3 mm AMP vlakstekers
- K** - Alleen de met K gekenmerkte vlakken voor vastklemmen of bevestigen gebruiken.
- L** - Aardschroef (alleen bij 220/240V ~ 50 Hz of 220V ~ 60 Hz uitvoeringen)
- M** - M5 aansluiting voor drukcompensatie leiding verbrandingskamer
- N** - Drukinstelschroef

I

- A** - Entrata
- B** - Uscita di fine
- C** - Foro filettato M5 per adattatore di apertura lenta (se del caso)
- D** - Uscita verso la fiamme pilota (se del caso)
- E** - Presa per la misura della pressione d'ingresso
- F** - Presa per la misura della pressione d'uscita
- G** - Fori di montaggio
- H** - Connettori AMP di 6.3 mm a innesto e a vite
- I** - Connettori AMP di 6.3 mm
- K** - Per il fissaggio della valvola, utilizzare solamente i fori ciechi K
- L** - Connettore/vite di messa a terra soltanto tensione di linea)
- M** - Foro filettato M5 al fine di consentire la connessione della pressione di reazione
- N** - Vite di regolazione della pressione del flusso

F

- A** - Entrée
- B** - Sortie
- C** - Trou M5 pour raccordement pour l'interrupteur de changer de la pression d'ouverture lente (au cas qu'application)
- D** - Sortie veilleuse (au cas qu'application)
- E** - Prise de pression d'entrée
- F** - Prise de pression de sortie
- G** - Trous M5 de montage
- H** - Bornes AMP 6.3 mm et vis métrique pour câblage
- I** - Bornes AMP 6.3 mm
- K** - Utiliser seulement les emplacements quand le dispositif à besoin d'être immobilisé
- L** - Prise/vis de terre (haut tension seulement)
- M** - Trou M5 pour raccordement avec la chambre de combustion
- N** - Vis de réglage du régulateur de pression de sortie

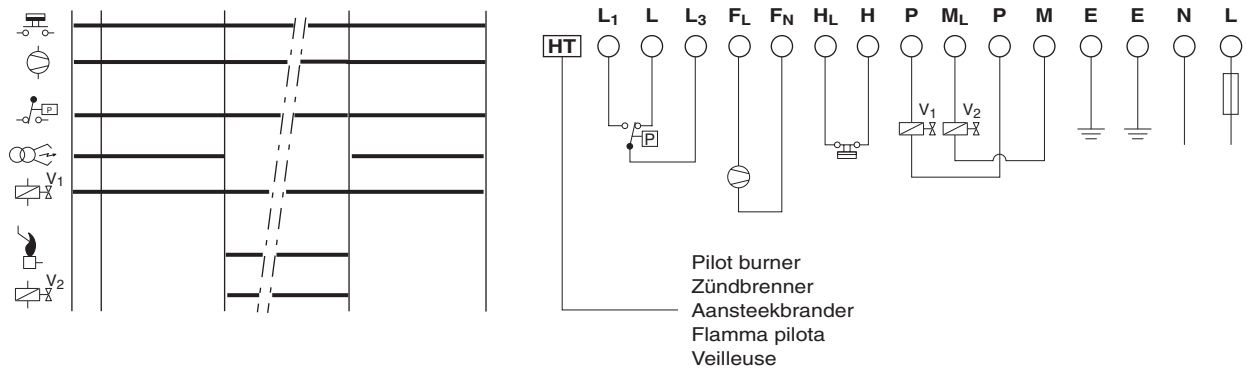


Fig. 2. S458
Abb. 2. S458

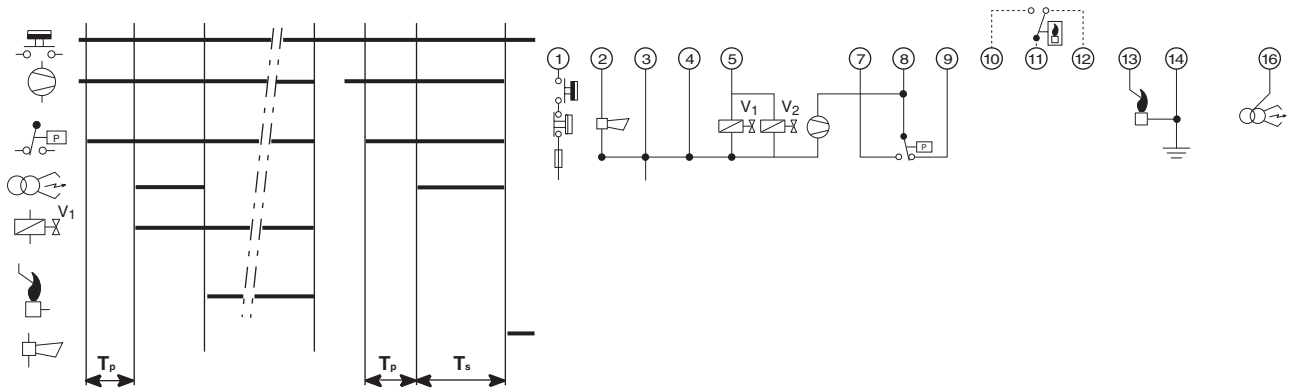


Fig. 3. S4560
Abb. 3. S4560

(GB)	Thermostat	Gas valve	Ignition	Flame rod	Fan	Limiter	reset switch	Flame indication relay	Alarm	Air proving switch
(D)	Temperatur regler	Gasventil	Zündung	Flammenmeldung	Gebälse	Begrenzer	Entriegelung	Flammenfühler	Alarm	Luftschalter
(NL)	Regelthermostaat	Gasklep	Ontsteking	Vlamwaarneming	Ventilator	Maximaalbeveiliging	Ontregeling	Vlam waarnemer	Alarm	Luchtdruk schakelaar
(I)	Termostato	Valvola gas	Accensione	Elettrodo	Ventilatore	Termostato limite	Interruttore di ripristino	Sensori fiamma	Allarme	Verificia contatto presostato aria
(F)	thermostat de régulation	Vanne gaz	Allumage	Electrode de la flamme	Ventilateur	Thermostat limiteur	Réarmement du interrupteur	Relais d'indication de flamme	Alarme	Contact de circulation d'air

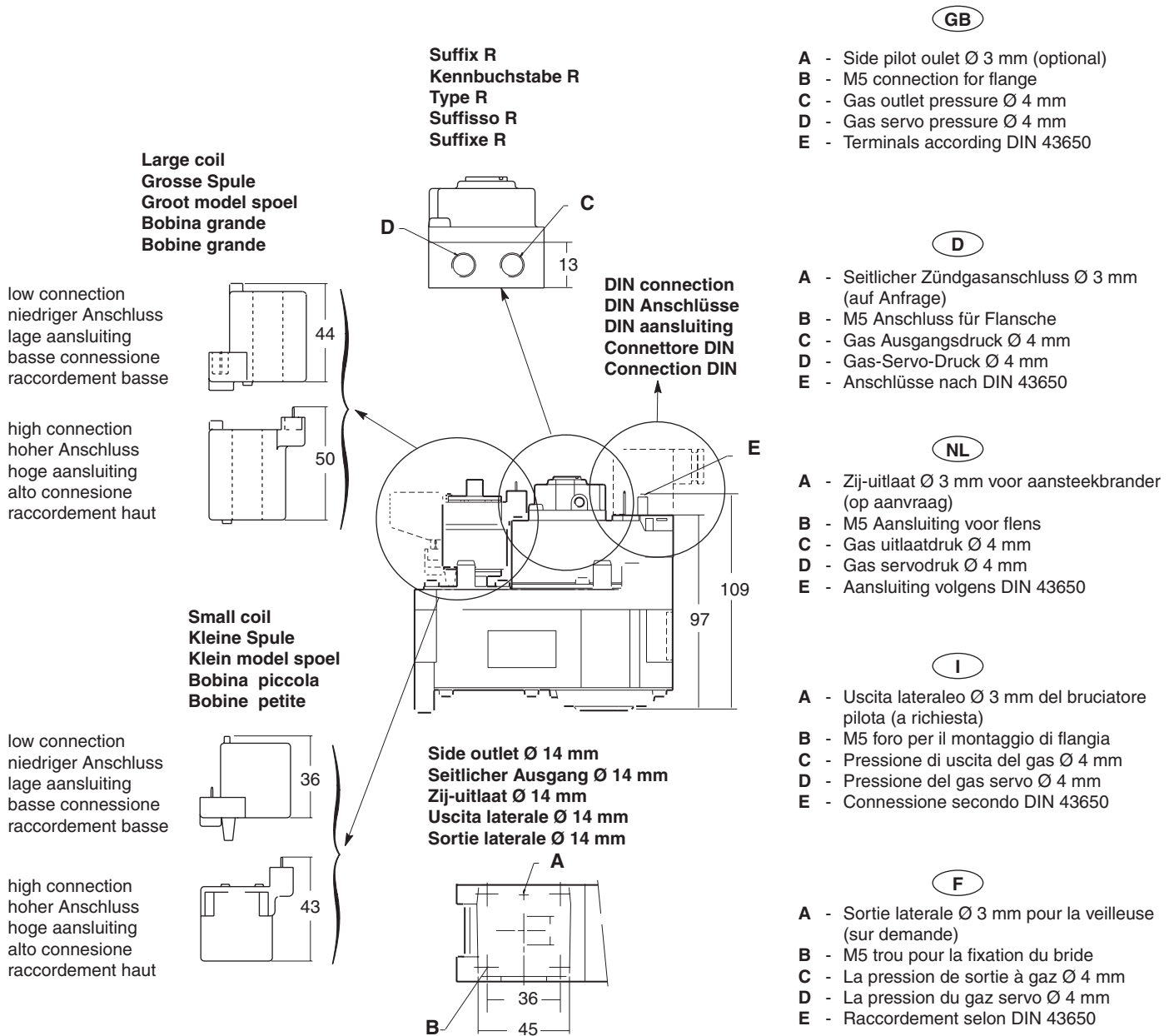


Fig. 4.
Abb. 4.

Honeywell