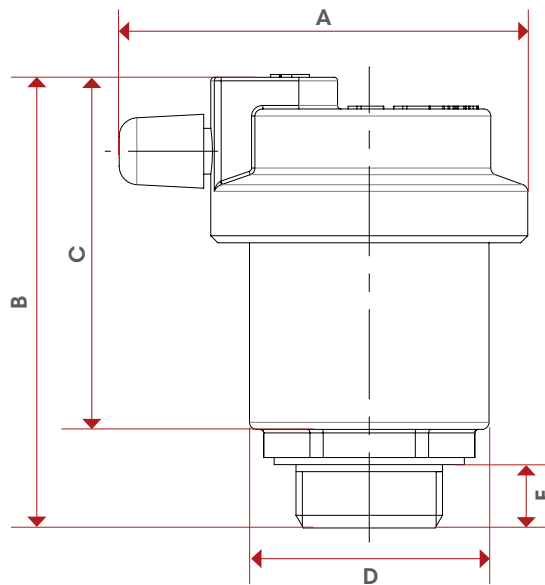


363



TEC



| | 3/8" | 1/2" |
|------------------------|------|------|
| A | 58 | 58 |
| B | 64 | 64 |
| C | 50,5 | 50 |
| D | 34 | 34 |
| E | 8,5 | 9 |
| Kg/cm ² bar | 10 | 10 |
| LBS - psi | 145 | 145 |