



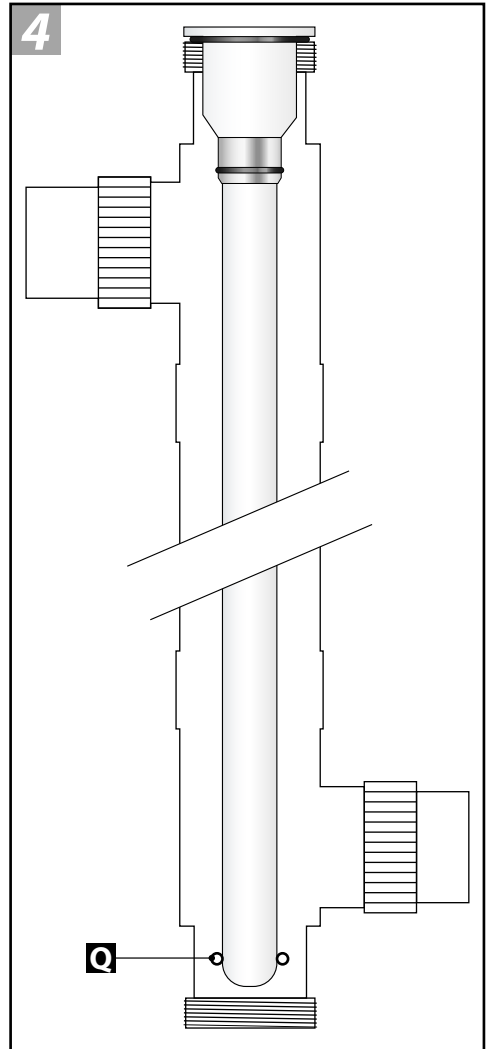
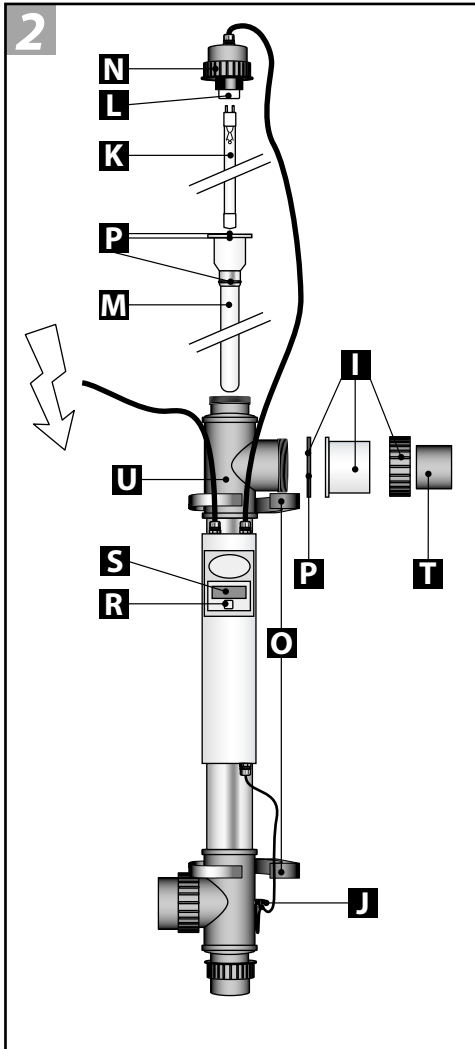
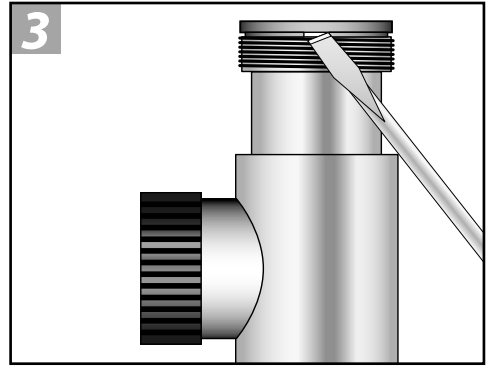
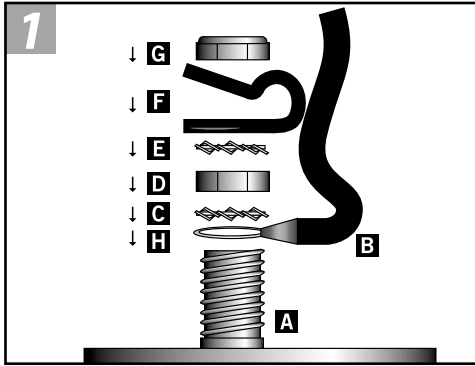
**Blue Lagoon UV-C Timer
40.000 - 75.000**



BLUE LAGOON

UV-C TIMER

The easy and friendly way to disinfect your pool



Please read through these instructions for use carefully before installing this device.

Operation

In the Blue Lagoon UV-C Timer, a UV-C radiation with a wavelength of 253.7 nm is generated by the special Philips UV lamp, ensuring a lethal effect on bacteria (including Legionella bacteria). The Blue Lagoon UV-C Timer will ensure that your pool water is clean, fresh and clear in an efficient and environmentally-friendly manner. The water is led through the UV-C device via a pump. The UV-C radiation neutralises bacteria, viruses and other primitive organisms and stops them from multiplying. The Blue Lagoon UV-C Timer has a built-in high-frequency electronic ballast, which absorbs current fluctuations, thereby protecting the lamp. In addition, the device contains an integrated time meter that accurately monitors the number of operating hours. You can therefore see exactly when the lamp must be replaced. In addition, the stainless steel interior ensures the reflection of the UV-C rays, thereby increasing the efficiency up to 35%. Thanks to the Blue Lagoon UV-C Timer, your swimming pool water will be disinfected efficiently and safely, and the quality of your water will remain excellent.

Advantages of UV-C treatment:

- Ensures fresh, clean and clear water
- Disinfects water efficiently and safely
- Bound chlorine is broken down by UV-C light
- Protects your pool from germs
- Keeps the formation of mould, bacteria and algae under control
- Can reduce the use of chlorine and other chemicals up to 80%
- Prevents the smell of chlorine and irritation to the skin and eyes (red eyes)
- More environmentally-friendly than traditional methods

Advantages of the Blue Lagoon UV-C Timer:

- Built-in electronic pre-selector to ensure a smooth power supply
- Up to 35% more UV-C yield as a result of reflection
- Includes a Philips UV-C lamp with 9,000 operating hours
- Integrated adjustable time meter for the UV-C lamp
- Digital indication when the lamp needs replacing
- 316L stainless steel housing
- Easy installation and maintenance
- 2-year guarantee with respect to manufacturing faults
- Earthed
- Ø 63mm to Ø 50mm adapters included in delivery

Safety

This device produces harmful radiation. Direct contact could jeopardise the eyes and skin. Only check the operation of the UV-C lamp via the transparent components of the unit.

- Always remove the plug from the socket before carrying out maintenance or repair work on the unit. Never put the plug in / pull the plug from the socket when you are standing in water or if your hands are wet.
- Keep children away from this device and from the cable.
- The cable of the device cannot be replaced. In case of damage to the power cable, the complete electrical unit must be replaced. Never remove the plug; leave the electrical unit intact. An electrical unit with the plug removed will no longer be covered by the guarantee.
- Never install the unit in an area subject to full sunlight.
- Ensure that there is always water flowing through the unit when the lamp is on.
- Once the device has been switched off, the lamp will remain hot for approximately 10 minutes.
- Do not use the device if any of the components are damaged (in particular the quartz glass).
- Remove the device if there is a risk of freezing during the winter months.
- The stainless steel housing of the device is not suitable for salt water baths with a high salt content. If the salt content is too high, the steel will oxidise and damage the housing.
- This product can only be used according to the guidelines described in these instructions for use.

Installation of the earth (Drawing 1)

- 1 Pull the cable (B) through the strain relief (F) before fitting the synthetic strain relief (F) onto the earth bolt (A). Position the strain relief (F) at approximately 10 cm from the eye (H) of the earth cable (B).
- 2 Place the eye (H) of the cable (B) onto the earth bolt (A) that is fitted to the housing.
- 3 Then place a toothed lock washer (C), a hexagon nut (D) and another toothed lock washer (E) on top of the eye (H).
- 4 Fit the strain relief (F) on top, creating a loop of \varnothing 5 cm.
- 5 Finally place the lock nut (G) onto the earth bolt (A).
- 6 Once the various nuts have been placed onto the earth bolt (A) in the correct sequence, they can be tightened with a spanner or a ring spanner number 8. Do not tighten too firmly, otherwise you may crack the strain relief. (The transparent nut that was screwed on the earth bolt (A) on delivery has no further use, and can be discarded).

Installation of the device (Drawing 2)

The Blue Lagoon UV-C Timer must never be installed behind the Ph regulator or the salt electrolysis system in your swimming pool installation. The ideal location to install your device is behind the pump and the filter. Never submerge this device in water. The installation must always take place outside of the pool. Ensure that there is always water flowing through the unit when the lamp is on.

- 1 Determine where the device will be installed. Make sure to leave a free area (+/- 1 metre) in order to be able to remove the lamp (K) / quartz glass (M) for the purpose of replacement and/or maintenance.
- 2 Fit the supplied pipe clips (O) in fixed positions, press the unit into the pipe clips and tighten the three-part coupling (I). Pay hereby attention to the correct position of the sealing rings (P), both with regard to the connections and the quartz glass (see drawing 2).
- 3 Fit the unit into the circuit using the three-part couplings (I). The inlet and outlet of the three-part coupling is \varnothing 63 mm. If your pipes are smaller than 63 mm, you can use the adapter (\varnothing 63 x \varnothing 50 mm) (T). This must be glued onto the three-part coupling (I). On one side of the adapter (T), there is a screw thread on the inside giving the option of fitting an adapter, with a sealing ring (not included in the delivery), onto it if necessary. Adapter sets can be obtained from your distributor (article number B290020).
- 4 Unscrew the screw ring (N) from the housing (U). Remove the UV-C lamp (K) from the supplied case (see packaging) and carefully slide the lamp into the quartz glass (M). Carefully connect the white lamp holder (L) to the UV-C lamp (K) and then screw the screw ring (N) hand-tight onto the housing (U).
- 5 Activate the pump and check the flow and any leakage of the system.
- 6 Put the plug of the UV-C device in a wall socket with a safety ground and fitted with a residual current circuit-breaker. Check whether the lamp is operating by looking through the transparent components of the unit. The unit is switched off by pulling the plug out of the socket.

Instructions for use of the digital time meter

As soon as the Blue Lagoon UV-C Timer is switched on, the program will carry out a self-test. The display will automatically show the following, one after the other: 8888 (display test); r and software version number; 50H or 60H indication of the mains frequency. Following this, the display will show the meter reading.

When the UVC lamp is switched on for the first time, or after the "reset" function has been used, the value '4500' will appear on the display. A dot next to the digit on the far right of the display will blink every second; this indicates that the counter is running.

The display is automatically set to the factory reading of 4,500 hours. The UV-C lamp operates at 100% radiation for up to 4,500 hours. After 4,500 hours, the radiation will weaken, and may become insufficient to obtain the desired results.

If the UV-C lamp had already been used previously, and is switched on again, the display will indicate the value it had at the time it was switched off earlier. If you had increased or reduced the value of the time meter yourself, the display will indicate the latest counter reading it had before it was switched off.

The settings of the time meter can be modified if you wish. This is carried out as follows:

After holding down the switch (R) underneath the display for 5 seconds, the display will show "rSt", to indicate that the user menu has been selected. Once the switch (R) has been released, the meter indication and "rSt" will blink alternately on the display. By briefly pressing the switch again, it is now possible to step through the menu options. There are 3 available setting options in the menu: "rSt" "UP" and "dn".

- **"rSt"** means (reset): This option enables you to reset the meter indication to the factory setting of 4,500 hours. This selection is confirmed if the meter indication and "rSt" on the display blink alternately. If you hold down the switch (R) for 5 seconds, after which the meter indication 4500 will be displayed, and then release it, the time meter will start counting down from the 4,500 hour value. This selection is used if, for example, you have replaced the lamp, or if you have modified the meter indication yourself and you want to return it to the factory settings.
- **"UP"** means (up): This option enables you to increase the meter indication to the desired hour indication. This selection is confirmed if the selected user setting "UP" and the meter indication on the display blink alternately. Following this, press the switch (R) down for 5 seconds. After 5 seconds, the display will only indicate "UP". You can then release the switch. By briefly pressing the switch, the counter value can now be increased in steps of 500 hours from the value of 4500 up to a maximum value of 9999. The increased value and "UP" will blink alternately on the display. After you have selected the desired hour indication, wait for 10 seconds. After 10 seconds, the selected hour indication will be displayed and the timer will start counting down. If you make a mistake while increasing the meter indication, it is possible to reset the counter to 4500 by keeping the switch pressed down for 5 seconds. The counter value will then be reset to 4500, and a new value can be set.
- **"dn"** means (down): This option enables you to decrease the meter indication to the desired hour indication. This selection is confirmed if the selected user setting "dn" and the meter indication on the display blink alternately. Following this, press the switch (R) down for 5 seconds. After 5 seconds, the display will only indicate "dn". You can then release the switch. By briefly pressing the switch, the counter value can now be decreased in steps of 500 hours from the value of 4500 down to a minimum value of 0000. The decreased value and "dn" will blink alternately on the display. Once you have selected the desired hour indication, wait for 10 seconds. After 10 seconds, the selected hour indication will be displayed and the timer will start counting down. If you make a mistake while decreasing the meter indication, it is possible to reset the counter to 4500 by keeping the switch pressed down for 5 seconds. The counter value will then be reset to 4500, and a new value can be set.

The time meter will indicate in the following manner that the lamp must be replaced:

- From hour position 0672; the display will blink every second. The lamp is to be replaced in 4 weeks' time.
- From hour position 0336; the display will blink every half second; The lamp is to be replaced in 2 weeks' time.
- From hour position 0168; the display will blink every ¼ second; The lamp is to be replaced in 1 week's time.
- At an hour position of 0000; the digits will blink continuously, and the meter will not continue to count down. The lamp must be replaced.

Dismantling / Maintenance

Always switch off the power supply during maintenance/dismantling of the device.

The device must be cleaned twice a year. If there is an increase in algae and/or scale, the quartz glass tube (M) in which the lamp is positioned must be cleaned. The special lamp must be replaced at the latest after 9,000 operating hours. The stainless steel interior can be cleaned with a soft brush.

- 1 Unscrew the three-part couplings (I) and drain the water from the device.
- 2 Unscrew the screw cap (N) and disconnect the lamp (K) from the lamp holder (L). Remove the lamp from the quartz glass and, if necessary, replace the special lamp (K). As these parts are very fragile, caution is essential.
- 3 Carefully remove the quartz glass (M) using a large, flat screwdriver (**see drawing 3**). Never use force!
- 4 Clean the quartz glass with a suitable agent. Always use a soft cloth to clean the glass in order to prevent scratches.
- 5 Pay attention to the correct position of the 3 sealing rings (P) when replacing the quartz glass in the housing, and carefully introduce the end of the quartz glass into the inlet (Q) (**see drawing 4**). Never use force!
- 6 Carefully replace the lamp in the quartz glass and connect the lamp (K) to the lamp holder (L). Screw the screw cap (N) onto the housing again.
- 7 The electrical unit of the device is situated in the display box (S) on the device. This display box is glued and cannot be opened. If the electrical unit or the display is replaced, the entire box must be unscrewed and the wiring must be disconnected from the device (**see drawing 1**). Unscrew the screw top (N) and carefully remove the lamp holder from the lamp. Any loose parts, i.e. of the earth etc., must be carefully retained, as they are not supplied with a new housing or electrical unit. In case of any doubt with regard to the connection, consult a recognised fitter.

8 If the housing needs replacing, the earth (J) and the electrical unit with the display (S) must first be disconnected from the housing (U) (see drawings 1 & 2). Unscrew the electrical unit with display (S) and the lamp holder from the housing. Be sure to carefully retain the various loose parts of the earth, as they are not supplied with a new housing. Remove the lamp (K) and quartz glass (M) from the housing in order to prevent breakage during transport. In case of any doubt with regard to the connection, consult a recognised fitter.

Technical specifications	40,000 l	75,000 l
• Philips TUV T5 lamp	40 Watt	75 Watt
• UV-C output (W)	15 Watt	25 Watt
• UV-C (%) after 4,500 hours	85%	80%
• UV-C (%) after 9,000 hours	0%	0%
• Swimming pool content (l)	40,000 l	75,000 l
• Max. throughput	20,000 l/h	25,000 l/h
• Max. pressure	3 bar	3 bar
• Max. temperature	35°C	35°C
• Min. temperature	0°C	0°C
• Connection size	Ø63 mm/Ø50 mm	Ø63 mm/Ø50 mm
• Length of the device	100 cm	100 cm

UV-C system types

Article number: B210002 Blue Lagoon UV-C Timer 40,000 l / 40 Watt (230V; 50/60Hz)

Article number: B210003 Blue Lagoon UV-C Timer 75,000 l / 75 Watt (230V; 50/60Hz)

Replacement lamps

Article number: E800901 Philips Lamp type TUV 36T5 4P-SE (40 Watt)

Article number: E800902 Philips Lamp type TUV 36T5 HO 4P-SE (75 Watt)

Terms of guarantee

The guarantee of this product covers manufacturing faults for a period of 24 months following the date of purchase. The lamp and the quartz glass are not included in this guarantee. Claims under the guarantee can only be considered if the product is returned post-paid together with a valid purchase receipt. Repairs under the guarantee may exclusively be carried out by the supplier.

Guarantee claims that are caused by errors in the installation or operation of the device will not be considered. Defects originating from poor maintenance are also excluded from the guarantee. The supplier will in no way whatsoever be held responsible for any damage caused by the incorrect operation of the product. The supplier will not be liable for any consequential damage caused by the breakdown of the device.

Complaints regarding transportation damage will only be considered if the damage was established or confirmed on delivery by the carrier or the postal authorities. A claim can only be made against the carrier or the postal authorities if this has been done.

Blue Lagoon UV-C Timer 40.000 - 75.000

D

Lesen Sie diese Gebrauchsanweisung vor dem Installieren des Geräts sorgfältig durch.

Funktionsweise

Im Blue Lagoon UV-C Timer erzeugt die Philips-UV-Speziallampe eine UV-C-Strahlung von 253,7 nm Wellenlänge, die eine bakterientötende Wirkung (u.a. Legionella-Bakterie) hat. Der Blue Lagoon UV-C Timer sorgt auf effiziente und umweltfreundliche Weise für sauberes, frisches und klares Wasser. Das Wasser wird mit einer Pumpe durch das UV-C-Gerät geführt. Die UV-C-Strahlung neutralisiert Bakterien, Viren und andere primitive Organismen und verhindert ihre Fortpflanzung. Der Blue Lagoon UV-C Timer hat einen eingebauten hochfrequenten elektronischen Ballast. Dieser Ballast nimmt Stromschwankungen auf und schützt dadurch die Lampe. Außerdem verfügt das Gerät über einen integrierten Stundenzähler, der die Zahl der Brennstunden exakt registriert. So können Sie genau sehen, wann die Lampe ausgetauscht werden muss. Außerdem bewirkt die Edelstahl-Innenseite eine Reflexion der UV-C-Strahlung und erhöht so die Effizienz um bis zu 35%. Mit dem Blue Lagoon UV-C Timer wird Ihr Wasser auf effiziente und sichere Weise desinfiziert, und die Wasserqualität bleibt hervorragend.

Vorteile der UV-C-Behandlung:

- Sorgt für frisches, sauberes und klares Wasser
- Desinfiziert das Wasser auf effiziente und sichere Weise
- UV-C-Licht baut gebundenes Chlor ab
- Schützt Ihr Bad vor Krankheitserregern
- Hält Schimmel-, Bakterien- und Algenbildung unter Kontrolle
- Kann den Einsatz von Chlor und anderen Chemikalien um bis zu 80% verringern
- Verhindert Chlorgeruch und Reizungen an Haut und Augen (rote Augen)
- Besser für die Umwelt als herkömmliche Methoden

Vorteile des Blue Lagoon UV-C Timer:

- Eingebautes elektronisches Vorschaltgerät für eine gleichmäßige Stromversorgung
- Bis zu 35% mehr UV-C-Ertrag durch Reflexion
- Ausgestattet mit einer Philips-UV-C-Lampe mit 9000 Brennstunden
- Integrierter, einstellbarer Stundenzähler für die UV-C-Lampe
- Zeigt digital an, wann die Lampe ausgetauscht werden muss
- 316L-Edelstahl-Gehäuse
- Einfache Installation und Wartung
- 2 Jahre Garantie auf Herstellungsfehler
- Geerdet
- Reduzierstücke (von Ø 63 mm auf Ø 50 mm) werden mitgeliefert

Sicherheit

Dieses Gerät erzeugt schädliche Strahlen. Direkter Kontakt kann für Augen und Haut gefährlich sein.

Prüfen Sie die Funktion der UV-C-Lampe deshalb nur über die transparenten Teile der Einheit.

- Immer den Stecker aus der Steckdose ziehen, bevor Wartungs- oder Reparaturarbeiten am Gerät ausgeführt werden. Den Stecker nie in die Steckdose stecken oder aus der Steckdose ziehen, wenn Sie in einer Pfütze stehen oder nasse Hände haben.
- Kinder von Gerät und Kabel fernhalten.
- Das Kabel dieses Geräts kann nicht ausgetauscht werden. Bei Beschädigung des Stromkabels muss der gesamte elektrische Teil des Geräts ausgetauscht werden. Den Stecker nie entfernen, sondern den elektrischen Teil unversehrt lassen. Wenn der Stecker abgeschnitten wurde, fällt der elektrische Teil nicht unter die Garantie.
- Das Gerät nicht an einer Stelle installieren, wo es der vollen Sonne ausgesetzt ist.
- Dafür sorgen, dass immer Wasser durch die Einheit strömt, wenn die Lampe brennt.
- Nach Ausschalten des Geräts bleibt die Lampe noch ca. 10 Minuten warm.
- Wenn Teile (insbesondere das Quarzglas) beschädigt sind, darf das Gerät nicht benutzt werden.
- Bei Einfriergefahr in den Wintermonaten das Gerät entfernen.
- Das Edelstahlgehäuse des Geräts ist nicht für Salzwasserbäder mit hohem Salzgehalt geeignet. Bei zu hohem Salzgehalt oxidiert der Stahl und das Gehäuse wird beschädigt.
- Dieses Produkt darf nur den in dieser Gebrauchsanweisung beschriebenen Richtlinien entsprechend eingesetzt werden.

Installation der Erdung (Zeichnung 1)

- 1 Bevor Sie die Kunststoff-Zugentlastung (F) am Massebolzen (A) anbringen, müssen Sie erst das Kabel (B) durch die Zugentlastung (F) ziehen. Die Zugentlastung (F) in ca. 10 cm Abstand zu Öse (H) des Massekabels (B) anbringen.
- 2 Die Öse (H) von Kabel (B) über Massebolzen (A) anbringen, der am Gehäuse befestigt ist.
- 3 Anschließend eine Spanscheibe (C), Sechskantmutter (D) und noch eine Spanscheibe (E) an der Öse (H) anbringen.
- 4 Zugentlastung (F) darauf befestigen, so dass eine Schleife von \varnothing 5 cm entsteht.
- 5 Zuletzt die Sicherungsmutter (G) an Massebolzen (A) anbringen.
- 6 Wenn alle Muttern in der richtigen Reihenfolge an Massebolzen (A) angebracht wurden, kann dieser mit einem 8er Steck- oder Ringschlüssel festgezogen werden. Ziehen Sie den Bolzen nicht zu fest an, weil sonst die Zugentlastung reißen kann. (Die transparente Mutter, die bei Lieferung auf den Massebolzen (A) geschraubt ist, hat keine weitere Funktion und kann weggeworfen werden.)

Installation des Geräts (Zeichnung 2)

Installieren Sie den Blue Lagoon UV-C Timer auf keinen Fall unmittelbar nach dem pH-Regler oder dem Salzelektrolysesystem an Ihrer Schwimmbadanlage. Am besten geeignet für die Installation ist die Stelle unmittelbar nach dem Filter. Das Gerät auf keinen Fall unter Wasser tauchen. Das Gerät immer außerhalb des Schwimmbads installieren. Dafür sorgen, dass immer Wasser durch die Einheit strömt, wenn die Lampe brennt.

- 1 Die Stelle bestimmen, an der das Gerät installiert werden soll. Dafür sorgen, dass genug Platz bleibt (ca. 1 Meter), um Lampe (K)/Quarzglas (M) zu entfernen (für Austausch und/oder Wartung).
- 2 Die mitgelieferten Rohrschellen (O) an einer festen Stelle anbringen, die Einheit in den Rohrschellen befestigen und die dreiteilige Kupplung (I) festziehen. Dabei auf die richtige Position der Dichtringe (P) sowohl an den Anschlüssen als auch am Quarzglas achten (siehe **Zeichnung 2**).
- 3 Die Einheit mit den dreiteiligen Kupplungen (I) im Kreis anbringen. Ein- und Auslass der dreiteiligen Kupplung haben den Durchmesser \varnothing 63 mm. Wenn Ihre Leitungen kleiner sind als 63 mm, können Sie das Reduzierstück (T) (\varnothing 63 x \varnothing 50 mm) verwenden. Dieses muss mit der dreiteiligen Kupplung (I) verleimt werden. Reduzierstück (T) hat innen an einer Seite Gewinde, an dem eventuell eine Reduziertülle einschließlich Dichtring (nicht mitgeliefert) montiert werden kann. Reduziersätze erhalten Sie bei Ihrem Verteiler (Artikelnummer B290020).
- 4 Den Schraubring (N) vom Gehäuse (U) abschrauben. Die UV-C-Lampe (K) aus dem mitgelieferten Köcher (siehe Verpackung) nehmen und die Lampe vorsichtig in das Quarzglas (M) schieben. Die weiße Lampenfassung (L) vorsichtig mit der UV-C-Lampe (K) verbinden und anschließend den Schraubring (N) handfest auf das Gehäuse (U) schrauben.
- 5 Die Pumpe in Betrieb setzen und das System auf Durchfluss und Dichtheit prüfen.
- 6 Den Stecker des UV-C-Geräts in eine Schukosteckdose mit Erdschlussschalter stecken. Durch die transparenten Teile des Geräts prüfen, ob die Lampe brennt. Um das Gerät auszuschalten, ziehen Sie den Stecker aus der Steckdose.

Gebrauchsanweisung für den digitalen Stundenzähler

Wenn der Blue Lagoon UV-C Timer eingeschaltet ist, führt das Programm einen Selbsttest aus. Auf dem Display erscheinen automatisch nacheinander folgende Anzeigen: 8888 (Displaytest); r und Softwareversionsnummer; 50H oder 60H Anzeige der Netzfrequenz
Anschließend erscheint auf dem Display der Zählerstand.

Wenn die UV-C-Lampe das erste Mal eingeschaltet wird oder nachdem die "Reset"-Funktion ausgeführt wurde, erscheint der Wert "4500" auf dem Display. Bei der Ziffer ganz rechts auf dem Display blinkt im Sekundentakt ein Punkt, der anzeigt, dass der Zähler läuft.

Auf dem Display wird automatisch der werkseitig eingestellte Zählerstand von 4500 Stunden angezeigt. Bis 4500 Stunden erreicht die UV-C-Lampe 100% ihrer wirksamen Strahlung. Nach 4500 Stunden wird die Strahlung schwächer und reicht möglicherweise nicht mehr aus, um das gewünschte Ergebnis zu erzielen. Wenn Sie die UV-C-Lampe schon länger verwenden und diese schon einmal eingeschaltet war, zeigt das Display nach dem Einschalten wieder den Wert an, der dort vor dem Ausschalten der UV-C-Lampe stand. Wenn Sie den Stundenzählerstand selbst erhöht oder verringert haben, wird der letzte Zählerstand angezeigt, der vor dem Ausschalten auf dem Display stand.

Sie können die Einstellungen des Stundenzählers ggf. ändern. Dabei gehen Sie folgendermaßen vor:

Wenn Sie den Schalter (R) unter dem Display 5 Sekunden eingedrückt halten, erscheint auf dem Display "rSt", um anzuzeigen, dass das Benutzermenü gewählt wurde. Nach Loslassen des Schalters (R) blinken auf dem Display abwechselnd der Zählerstand und "rSt". Wenn jetzt der Schalter kurz eingedrückt wird, werden die Möglichkeiten des Menüs durchlaufen. Das Menü enthält drei Einstellmöglichkeiten: "rSt" "UP" und "dn".

- **“rSt”** bedeutet (reset): Damit wird der Zählerstand auf die Werkseinstellung von 4500 Stunden zurückgesetzt. Diese Wahl wird auf dem Display durch abwechselndes Blinken von Zählerstand und “rSt” bestätigt. Wenn Sie den Schalter (R) 5 Sekunden eingedrückt halten (Zählerstand 4500 wird angezeigt) und dann wieder loslassen, beginnt der Stundenzähler von der Stundenzahl 4500 aus rückwärts zu zählen. Diese Option wählen Sie, wenn Sie z.B. die Lampe ausgetauscht haben oder wenn Sie den Zählerstand selbst geändert haben und ihn wieder auf die Werkseinstellung zurücksetzen wollen.
- **“UP”** bedeutet (up): Hiermit können Sie den Zählerstand auf den gewünschten Zählerstand erhöhen. Diese Wahl wird auf dem Display durch abwechselndes Blinken der gewählten Benutzereinstellung “UP” und des Zählerstands bestätigt. Anschließend müssen Sie den Schalter (R) 5 Sekunden eingedrückt halten. Nach 5 Sekunden steht auf dem Display nur noch “UP”. Jetzt müssen Sie den Schalter loslassen. Durch kurzes Eindrücken des Schalters kann der Zählerwert ab 4500 in Schritten von 500 Stunden auf maximal 9999 erhöht werden. Der erhöhte Wert blinkt auf dem Display abwechselnd mit “UP”. Wenn der gewünschte Zählerstand erreicht ist, warten Sie 10 Sekunden. Nach 10 Sekunden erscheint die gewählte Stundenzahl, und der Timer beginnt rückwärts zu zählen. Wenn Sie sich z.B. beim Erhöhen des Zählerstands geirrt haben, können Sie den Zähler wieder auf 4500 zurücksetzen, indem Sie den Schalter 5 Sekunden eingedrückt halten. Der Zählerstand beträgt dann wieder 4500, und es kann ein neuer Wert eingestellt werden.
- **“dn”** bedeutet (down): Hiermit können Sie den Zählerstand auf die gewünschte Stundenzahl verringern. Diese Wahl wird auf dem Display durch abwechselndes Blinken der gewählten Benutzereinstellung “dn” und des Zählerstands bestätigt. Anschließend müssen Sie den Schalter (R) 5 Sekunden eingedrückt halten. Nach 5 Sekunden steht auf dem Display nur noch “dn”. Jetzt müssen Sie den Schalter loslassen. Durch kurzes Eindrücken des Schalters kann der Zählerstand ab 4500 in Schritten von 500 Stunden auf minimal 0000 verringert werden. Der verringerte Wert blinkt auf dem Display abwechselnd mit “dn”. Wenn der gewünschte Zählerstand erreicht ist, warten Sie 10 Sekunden. Nach 10 Sekunden erscheint die gewählte Stundenzahl, und der Timer beginnt rückwärts zu zählen. Wenn Sie sich z.B. beim Verringern des Zählerstands geirrt haben, können Sie den Zähler wieder auf 4500 zurücksetzen, indem Sie den Schalter 5 Sekunden eingedrückt halten. Der Zählerstand beträgt dann wieder 4500, und es kann ein neuer Wert eingestellt werden.

Der Stundenzähler zeigt auf die folgende Weise an, dass die Lampe ausgetauscht werden muss.

- Ab Zählerstand 0672: Display blinkt im Sekundentakt. Die Lampe muss in 4 Wochen ausgetauscht werden.
- Ab Zählerstand 0336: Display blinkt alle halbe Sekunde. Die Lampe muss in 2 Wochen ausgetauscht werden.
- Ab Zählerstand 0168: Display blinkt alle 1/4 Sekunde. Die Lampe muss in 1 Woche ausgetauscht werden.
- Bei einem Zählerstand von 0000 blinken die Ziffern in hohem Tempo weiter, und der Zähler zählt nicht mehr zurück. Die Lampe muss ausgetauscht werden.

Demontage/Wartung

Bei Demontage/Wartung des Geräts grundsätzlich erst die Stromzufuhr ausschalten.

Das Gerät muss 2-mal im Jahr gereinigt werden. Wenn Algenwachstum und/oder Kalkablagerungen zunehmen, muss die Quarzglasröhre (**M**), in der die Lampe steckt, gereinigt werden. Die Speziallampe muss spätestens nach 9000 Brennstunden ausgetauscht werden. Die Edelstahl-Innenverkleidung mit einer weichen Bürste reinigen.

- 1 Die dreiteiligen Kupplungen (**I**) lösen und das Wasser aus dem Gerät strömen lassen.
- 2 Den Schraubring (**N**) abschrauben und die Lampe (**K**) von der Lampenfassung (**L**) trennen. Die Lampe aus dem Quarzglas nehmen und erforderlichenfalls die Speziallampe (**K**) austauschen. Vorsicht ist geboten, weil es sich hier um sehr empfindliche Teile handelt.
- 3 Mit einem großen flachen Schraubenzieher das Quarzglas (**M**) vorsichtig entfernen (**siehe Zeichnung 3**). Auf keinen Fall gewaltsam vorgehen!
- 4 Das Quarzglas mit einem geeigneten Mittel reinigen. Zum Reinigen des Quarzglases immer ein weiches Tuch verwenden und Kratzer vermeiden.
- 5 Beim Wiedereinsetzen des Quarzglases in das Gehäuse auf die richtige Lage der 3 Dichtringe (**P**) achten und das Ende des Quarzglases vorsichtig in das Aufnahmeteil (**Q**) schieben (**siehe Zeichnung 4**). Auf keinen Fall gewaltsam vorgehen!

- 6 Die Lampe vorsichtig wieder in das Quarzglas einsetzen und die Lampe (K) mit der Lampenfassung (L) verbinden. Schraubring (N) wieder auf das Gehäuse schrauben.
- 7 Der elektrische Teil des Geräts befindet sich im Displaygehäuse (S) am Gerät. Das Displaygehäuse ist geklebt und kann nicht geöffnet werden. Zum Auswechseln des elektrischen Teils oder des Displays muss das ganze Gehäuse losgeschraubt und die Verkabelung des Geräts gelöst werden (**siehe Zeichnung 1**). Schraubring (N) losschrauben und die Lampenfassung vorsichtig von der Lampe lösen. Die verschiedenen Einzelteile, z.B. für die Erdung, immer gut aufbewahren. Diese Teile werden nicht mit einem neuen Gehäuse oder elektrischen Teil mitgeliefert. Im Zweifelsfall für den Anschluss einen anerkannten Installateur hinzuziehen.
- 8 Wenn das Gehäuse ausgetauscht werden soll, müssen erst die Erdung (J) und der elektrische Teil mit Display (S) vom Gehäuse (U) gelöst werden (**siehe Zeichnung 1 & 2**). Elektrischen Teil mit Display (S) und Lampenfassung vom Gehäuse abschrauben. Die verschiedenen Einzelteile der Erdung immer gut aufbewahren. Sie werden nicht mit einem neuen Gehäuse mitgeliefert. Lampe (K) und Quarzglas (M) aus dem Gehäuse entfernen, um Bruchschäden beim Transport zu vermeiden. Im Zweifelsfall für den Anschluss einen anerkannten Installateur hinzuziehen.

Technische Daten

	40.000 Liter	75.000 Liter
• Lampe Philips TUV T5	40 Watt	75 Watt
• UV-C-Leistung (W)	15 Watt	25 Watt
• UV-C (%) nach 4.500 Stunden	85%	80%
• UV-C (%) nach 9.000 Stunden	0%	0%
• Schwimmbadinhalt (Liter)	40.000 Liter	75.000 Liter
• Max. Durchfluss	20.000 l/h	25.000 l/h
• Max. Druck	3 bar	3 bar
• Max. Temperatur	35°C	35°C
• Min. Temperatur	0°C	0°C
• Anschluss	Ø63mm/Ø50mm	Ø63mm/Ø50mm
• Länge des Geräts	100cm	100cm

Typ UV-C-Systeme

Artikelnummer: B210002 Blue Lagoon UV-C Timer 40.000L / 40 Watt (230V; 50/60Hz)

Artikelnummer: B210003 Blue Lagoon UV-C Timer 75.000L / 75 Watt (230V; 50/60Hz)

Ersatzlampen

Artikelnummer: E800901 Philips-Lampe Typ TUV 36T5 4P-SE (40 Watt)

Artikelnummer: E800902 Philips-Lampe Typ TUV 36T5 HO 4P-SE (75 Watt)

Garantiebedingungen

Auf das Produkt wird für die Dauer von 24 Monaten nach dem Kaufdatum eine Garantie gegen Herstellungsfehler gewährt. Lampe und Quarzglas sind von der Garantie ausgeschlossen. Garantiefälle können nur bearbeitet werden, wenn das Produkt portofrei zusammen mit einem gültigen Kaufnachweis eingeschickt wird. Reparaturen im Rahmen der Garantie dürfen nur vom Lieferanten ausgeführt werden. Garantieansprüche infolge von Installations- oder Bedienungsfehlern werden nicht anerkannt. Aus mangelhafter Wartung resultierende Schäden sind ebenfalls von der Garantie ausgeschlossen. Der Lieferant ist in keiner Weise für Schäden verantwortlich, die durch einen falschen Einsatz des Geräts verursacht werden. Der Lieferant kann nicht für Folgeschäden haftbar gemacht werden, die durch den Ausfall des Geräts verursacht werden. Reklamationen aufgrund von Transportschäden können nur angenommen werden, wenn die Beschädigung bei der Lieferung durch die Spedition oder das Postunternehmen festgestellt oder bestätigt wird. Nur dann ist es möglich, die Spedition oder das Postunternehmen haftbar zu machen.

Avant d'installer cet appareil, lire attentivement cette notice d'utilisation.

Fonctionnement

Dans le Blue Lagoon UV-C Timer, un rayonnement UV-C d'une longueur d'onde de 253,7 nm est généré par la lampe UV spéciale Philips, ce qui détruit les bactéries (comme la bactérie de la légionellose (maladie des vétérans/légionnaires)). Le Blue Lagoon UV-C Timer garantit, de manière efficace et écologique, une eau propre, fraîche et limpide. L'eau est acheminée dans l'appareil UV-C au moyen d'une pompe. Le rayonnement UV-C neutralise les bactéries, les virus et d'autres organismes primitifs et empêche leur prolifération. Le Blue Lagoon UV-C Timer est doté d'un ballast électronique haute fréquence intégré. Ce ballast absorbe les fluctuations de courant et protège ainsi la lampe. L'appareil comporte également un compteur horaire qui enregistre avec précision le nombre d'heures de service de la lampe. Vous voyez ainsi exactement quand il faut remplacer la lampe. De plus, la section interne en acier inoxydable provoque une réflexion du rayonnement UV-C, ce qui augmente l'efficacité jusqu'à 35%. Grâce au Blue Lagoon UV-C Timer, votre eau est désinfectée de manière efficace et sûre et la qualité de votre eau reste excellente.

Avantages du traitement UV-C :

- Garantit une eau fraîche, propre et limpide
- Désinfecte l'eau de manière efficace et sûre
- La lumière UV-C casse les liaisons chlorées
- Protège votre piscine contre les germes pathogènes
- Maîtrise la formation des moisissures, des bactéries et des algues
- Peut réduire de 80% l'utilisation de chlore et d'autres produits chimiques
- Evite l'apparition d'air chloré et l'irritation des yeux et de la peau (yeux rouges)
- Ménage l'environnement en comparaison avec les méthodes classiques

Avantages du Blue Lagoon UV-C Timer :

- Ballast électronique intégré, pour une alimentation en courant uniforme
- Rendement UV-C jusqu'à 35% supérieur grâce à la réflexion
- Doté d'une lampe UV-C Philips présentant 9000 heures de service
- Compteur horaire réglable et intégré pour la lampe UV-C
- Indique numériquement le moment où la lampe doit être remplacée
- Logement en acier inoxydable 316L
- Installation et entretien aisés
- 2 ans de garantie sur les vices de fabrication
- Doté d'une mise à la terre
- Pièces de réduction Ø 63mm à Ø 50mm livrées

Sécurité

Cet appareil produit un rayonnement nocif. Un contact direct peut entraîner des lésions aux yeux et à la peau.

Par conséquent, contrôler le fonctionnement de la lampe UV exclusivement par le biais des pièces transparentes de l'unité.

- Toujours retirer la fiche de la prise murale avant de procéder à des travaux d'entretien ou de réparation à l'appareil. Ne jamais insérer/retirer la fiche de la prise murale lorsque les mains sont mouillées ou lorsque les pieds se trouvent dans une flaque d'eau.
- Tenir les enfants à l'écart de cet appareil et du câble électrique.
- Le câble de cet appareil n'est pas remplaçable. En cas de dommage au câble de courant, il faut remplacer la section électrique complète de l'appareil. Ne jamais déposer la fiche, mais laisser la section électrique intacte. Une section électrique avec une fiche coupée n'est pas couverte par la garantie.
- Ne jamais installer l'appareil en plein soleil.
- Lorsque la lampe est allumée, veiller à ce que de l'eau circule toujours à travers l'unité.
- Après désactivation de l'appareil, la lampe reste chaude pendant encore 10 minutes environ.
- En cas d'endommagement de pièces (surtout du verre de quartz), ne pas utiliser l'appareil.
- En cas de risque de gel en hiver, ranger l'appareil.
- Le logement en acier inoxydable de l'appareil ne convient pas pour des piscines d'eau salée avec une teneur en sel élevée. En cas d'une teneur en sel trop élevée, l'acier s'oxyde et le logement présente des dommages.
- Ce produit doit uniquement être utilisé conformément aux directives reprises dans cette notice d'utilisation.

Installation du câble de mise à la terre (Figure 1)

- 1 Avant de monter le serre-câble plastique (F) sur la vis de mise à la terre (A), il faut tirer le câble (B) à travers le serre-câble (F). Placer le serre-câble (F) à environ 10 cm de l'oeil (H) du câble de mise à la terre (B).
- 2 Placer l'oeil (H) du câble (B) sur la vis de mise à la terre (A) fixée sur le logement.
- 3 Placer ensuite une bague de retenue dentée (C), un écrou six-pans (D) et à nouveau une bague de retenue dentée (E) sur l'oeil (H).
- 4 Fixer le serre-câble (F) sur ces pièces de sorte à constituer une boucle de Ø 5cm.
- 5 Placer en dernier lieu l'écrou-frein (G) sur la vis de mise à la terre (A).
- 6 Lorsque les divers écrous sont placés dans l'ordre correct sur la vis de mise à la terre (A), ils peuvent être serrés au moyen d'une clé à fourche ou polygonale numéro 8. Ne pas serrer excessivement, sinon le serre-câble pourrait se fissurer.

Installation de l'appareil (Figure 2)

Il est interdit de placer le Blue Lagoon UV-C Timer directement en aval du régulateur de PH ou du système d'électrolyse de sel de la piscine. L'emplacement idéal pour l'appareil est directement en aval du filtre. Ne jamais immerger cet appareil. Toujours l'installer à l'extérieur de la piscine. Veiller à ce que de l'eau circule toujours à travers l'unité lorsque la lampe est allumée.

- 1 Déterminer la position souhaitée de l'appareil. Veiller à laisser suffisamment d'espace (+/- 1 m.) afin de pouvoir procéder au remplacement et/ou à l'entretien de la lampe (K)/du verre de quartz (M).
- 2 Monter les pinces de tube (O) en un endroit ferme, fixer l'unité dans les pinces de tube et serrer le raccord trois pièces (I). Veiller au positionnement correct des bagues d'étanchéité (P) à l'endroit tant des raccords que du verre de quartz (voir figure 2).
- 3 Monter l'unité dans le circuit au moyen des raccords trois pièces (I). La section d'alimentation et d'échappement du raccord trois pièces est de Ø 63 mm. Si les conduites sont plus petites que 63 mm, utiliser la pièce de réduction (Ø 63 x Ø 50 mm) (T). Il faut l'encoller sur le raccord trois pièces (I). La section interne de la pièce de réduction (T) comporte d'un côté un filetage qui permet de poser éventuellement un tulle de réduction avec bague d'étanchéité (pas livrés). Pour des jeux de réduction, consulter le distributeur (référence B290020).
- 4 Détacher la bague à vis (N) du logement (U). Sortir la lampe UV-C (K) de l'étui livré (voir emballage) et glisser la lampe avec précaution dans le verre de quartz (M). Coupler avec précaution le culot de lampe blanc (L) à la lampe UV-C (K) et visser ensuite la bague à vis (N) à la main sur le logement (U).
- 5 Activer la pompe et s'assurer que l'eau circule dans le système et qu'il n'y a pas de fuites.
- 6 Insérer la fiche de l'appareil UV-C dans une prise murale avec mise à la terre et dotée d'un interrupteur de défaut de terre. S'assurer que la lampe est allumée par le biais des pièces transparentes de l'appareil. Pour désactiver complètement l'appareil, retirer la fiche de la prise murale.

Mode d'emploi du compteur horaire numérique

Lorsque le Blue Lagoon UV-C Timer est activé, le programme procède à un autodiagnostic. L'écran affiche automatiquement et successivement les indications suivantes : 8888 : test de l'écran ; r et numéro de version du logiciel ; 50H ou 60H, indication de la fréquence du réseau. Ensuite, l'écran affiche le statut du compteur.

Lorsque la lampe UVC est activée pour la première fois ou après utilisation de la fonction "réinitialisation", la valeur 4500 s'affiche sur l'écran. A proximité du chiffre à l'extrême droite de l'écran, un point clignote chaque seconde pour indiquer que le compteur est en service.

L'écran affiche automatiquement la valeur de compteur 4500 heures réglée en usine. Jusqu'à 4500 heures, le rayonnement de la lampe UV-C agit à 100%. Après 4500 heures, le rayonnement décroît et peut être insuffisant pour obtenir les résultats souhaités.

Si la lampe UVC est utilisée depuis un certain temps déjà et si elle est désactivée, l'écran affiche, après la réactivation, la valeur consignée avant la désactivation de la lampe UV-C. Si la valeur du compteur horaire a été augmentée ou diminuée par l'utilisateur, la dernière valeur avant sa désactivation s'affiche.

Le cas échéant, il est possible de modifier les réglages du compteur horaire. Procéder comme suit :

Après avoir maintenu enfoncé durant 5 secondes l'interrupteur (R) sous l'écran, ce dernier affiche "rSt" pour indiquer que le menu utilisateur a été sélectionné. Après avoir relâché l'interrupteur (R), la valeur du compteur et "rSt" clignotent sur l'écran. En appuyant ensuite brièvement sur l'interrupteur, il est possible de naviguer parmi les paramètres du menu. Il existe 3 possibilités de paramétrage : "rSt" "UP" et "dn".

- "**rSt**" signifie (reset) : permet de remettre le compteur horaire sur la valeur usine de 4500 heures.

Cette sélection est confirmée par le clignotement successif de la valeur du compteur et de "rSt" sur l'écran. Si l'interrupteur (R) est maintenu enfoncé durant 5 secondes, ce qui entraîne l'affichage de la valeur 4500, et est ensuite relâché, le compteur horaire commence le compte à rebours à partir de la valeur 4500 heures. Cette sélection est utilisée par exemple après le remplacement de la lampe ou après modification de la valeur du compteur et retour à la valeur usine.

- "**UP**" signifie (up) : permet d'augmenter la valeur du compteur à celle souhaitée.

Cette sélection est confirmée par le clignotement successif sur l'écran du paramètre utilisateur sélectionné "UP" et de la valeur horaire. Ensuite, tenir l'interrupteur (R) enfoncé durant 5 secondes. Après 5 secondes, l'écran n'affiche plus que "UP". Il faut alors relâcher l'interrupteur.

En enfonçant brièvement l'interrupteur, la valeur du compteur peut être augmentée par paliers de 500 heures à partir de 4500 jusqu'à une valeur maximale de 9999. La valeur augmentée et "UP" clignotent successivement sur l'écran.

Lorsque la valeur voulue est sélectionnée, attendre 10 secondes. Après 10 secondes, la valeur sélectionnée s'affiche sur l'écran et le compte à rebours commence.

Si, durant l'augmentation de la valeur horaire, une erreur est commise, il est possible de remettre la valeur du compteur horaire sur 4500 en maintenant l'interrupteur enfoncé durant 5 secondes. La valeur horaire repasse alors à 4500 et une nouvelle valeur peut être réglée.

- "**dn**" signifie (down): permet de diminuer la valeur du compteur à celle souhaitée.

Cette sélection est confirmée par le clignotement successif sur l'écran du paramètre utilisateur sélectionné "dn" et de la valeur horaire. Ensuite, tenir l'interrupteur (R) enfoncé durant 5 secondes. Après 5 secondes, l'écran n'affiche plus que "dn". Il faut alors relâcher l'interrupteur.

En enfonçant brièvement l'interrupteur, la valeur du compteur peut être diminuée par paliers de 500 heures à partir de 4500 jusqu'à une valeur minimale de 0000. La valeur réduite et "dn" clignotent successivement sur l'écran.

Lorsque la valeur voulue est sélectionnée, attendre 10 secondes. Après 10 secondes, la valeur sélectionnée s'affiche sur l'écran et le compte à rebours commence.

Si, durant la diminution de la valeur horaire, une erreur est commise, il est possible de remettre la valeur du compteur horaire sur 4500 en maintenant l'interrupteur enfoncé durant 5 secondes. La valeur horaire repasse alors à 4500 et une nouvelle valeur peut être réglée.

Le compteur horaire indique comme suit que le remplacement de la lampe s'impose :

- Dès la valeur horaire 0672 : l'écran clignote chaque seconde. La lampe doit être remplacée dans 4 semaines.

- Dès la valeur horaire 0336 : l'écran clignote chaque demi seconde. La lampe doit être remplacée dans 2 semaines.

- Dès la valeur horaire 0168 : l'écran clignote chaque quart de seconde. La lampe doit être remplacée dans 1 semaine.

- A la valeur horaire 0000 : les chiffres clignotent rapidement et constamment et le compte à rebours est terminé. La lampe doit être remplacée.

Démontage/Entretien

Lors du démontage/de l'entretien de l'appareil, toujours couper l'alimentation de courant.

L'appareil doit être nettoyé 2 fois par an. Lorsque la croissance des algues est/ou l'entartrage augmente, il faut nettoyer le tube en verre de quartz (**M**) dans lequel la lampe est insérée. La lampe spéciale doit être remplacée au plus tard après 9.000 heures de service. La section intérieure en acier inoxydable se nettoie avec une brosse douce.

1 Desserrer les raccords trois pièces (**I**) et laisser s'écouler l'eau hors de l'appareil.

2 Desserrer la bague à vis (**N**) et désolidariser la lampe (**K**) du colot de lampe (**L**). Retirer la lampe du verre de quartz et, le cas échéant, remplacer la lampe spéciale (**K**). Procéder avec prudence étant donné que ces pièces sont particulièrement fragiles.

3 Déposer avec précaution le verre de quartz (**M**) au moyen d'un grand tournevis plat (**voir figure 3**). Ne jamais forcer !

4 Nettoyer le verre de quartz avec un produit approprié. Toujours utiliser un chiffon doux pour nettoyer le verre, éviter toute rayure.

5 Lors de la pose du verre de quartz dans le logement, veiller au positionnement correct des 3 bagues d'étanchéité (**P**) et glisser avec précaution l'extrémité du verre de quartz dans la pièce de serrage (**Q**) (**voir figure 4**). Ne jamais forcer !

6 Poser avec précaution la lampe dans le verre de quartz et coupler la lampe (**K**) au colot de lampe (**L**). Visser à nouveau la bague à vis (**N**) sur le logement.

7 La section électrique de l'appareil se trouve dans le boîtier de l'écran (**S**). Ce boîtier est collé et impossible à ouvrir. Lors du remplacement de la section électrique, il faut dévisser le boîtier complet et détacher le câblage de l'appareil (**voir figure 1**). Dévisser la bague à vis (**N**) et

détacher avec précaution le culot de la lampe. Veiller à conserver soigneusement les diverses pièces telles la mise à la terre, etc. Celles-ci ne sont pas livrées avec un logement neuf ou une section électrique neuve. En cas de doute concernant le branchement, consulter un installateur agréé.

- 8 En cas de remplacement du logement, il faut d'abord détacher la mise à la terre (J) et la section électrique avec l'écran (S) du logement (U) (voir figures 1 & 2). Dévisser la section électrique avec l'écran (S) et le culot de lampe du logement. Veiller à conserver soigneusement les diverses pièces de la mise à la terre. Celles-ci ne sont pas livrées avec un logement neuf. Retirer la lampe (K) et le verre de quartz (M) du logement afin d'éviter toute brisure lors du transport. En cas de doute concernant le branchement, consulter un installateur agréé.

Caractéristiques techniques	40.000 L	75.000 L
• Lampe Philips TUV T5	40 watts	75 watts
• Puissance UV-C (W)	15 watts	25 watts
• UV-C (%) après 4.500 heures	85%	80%
• UV-C (%) après 9.000 heures	0%	0%
• Capacité de la piscine (L.)	40.000 L	75.000 L
• Débit max.	20.000 l/h	25.000 l/h
• Pression max.	3 bar	3 bar
• Température max.	35°C	35°C
• Température min.	0°C	0°C
• Raccord	Ø63mm/Ø50mm	Ø63mm/Ø50mm
• Longueur de l'appareil	100cm	100cm

Type de systèmes UV-C

Référence : B210002 Blue Lagoon UV-C Timer 40.000L / 40 watts (230V; 50/60Hz)

Référence : B210003 Blue Lagoon UV-C Timer 75.000L / 75 watts (230V; 50/60Hz)

Lampes

Référence : E800901 Lampe Philips type TUV 36T5 4P-SE (40 watts)

Référence : E800902 Lampe Philips type TUV 36T5 HO 4P-SE (75 watts)

Conditions de garantie

Le produit est garanti contre tout vice de fabrication durant 24 mois à compter de la date d'achat. La lampe et le verre de quartz sont exclus de la garantie. Les demandes de garantie ne sont traitées que si le produit a été renvoyé franc de port et accompagné d'un titre d'achat valable. Les réparations au titre de la garantie doivent être réalisées exclusivement par le fournisseur. Nous rejetons expressément toute demande de garantie suite à des erreurs d'installation et de commande. Les défauts dus à un entretien négligent ne sont pas couverts par la garantie. Le fournisseur rejette toute responsabilité pour tout dommage suite à une utilisation erronée du produit. Les dommages consécutifs dus à une panne de l'appareil ne sont pas couverts par la garantie. Les réclamations relatives à des dommages dus au transport sont uniquement acceptées si le dommage a été constaté ou confirmé à la réception de la livraison par l'expéditeur ou les postes. Dans ce seul cas, il est possible d'invoquer la responsabilité de l'expéditeur ou des postes.

Leest u voor het installeren van dit apparaat eerst zorgvuldig deze gebruiksaanwijzing.

Werking

In de Blue Lagoon UV-C Timer wordt een UV-C straling gegenereerd van 253,7 nm golflengte door de speciale Philips UV lamp, welke zorgt voor een dodende werking op bacteriën (o.a. de legionella bacterie). De Blue Lagoon UV-C Timer zorgt op een efficiënte en milieuvriendelijke wijze voor schoon, fris en helder water. Het water wordt d.m.v. een pomp door het UV-C apparaat gevoerd. De UV-C straling neutraliseert bacteriën, virussen en andere primitieve organismen en stopt de voortplanting ervan. De Blue Lagoon UV-C Timer heeft een ingebouwde hoogfrequente elektronische ballast. Deze ballast vangt stroomschommelingen op en beschermt hiermee de lamp. Ook bevat het apparaat een geïntegreerde urenteller die nauwkeurig het aantal branduren bijhoudt. U kunt precies zien wanneer de lamp moet worden vervangen. Bovendien zorgt de RVS binnenzijde voor reflectie van de UV-C straling waardoor de efficiency tot 35% wordt vergroot. Dankzij de Blue Lagoon UV-C Timer zal uw water op een efficiënte en veilige wijze worden gedesinfecteerd en behoudt u een uitstekende waterkwaliteit.

Voordelen van UV-C behandeling:

- Zorgt voor fris, schoon en helder water
- Desinfecteert water op een efficiënte en veilige manier
- UV-C licht breekt gebonden chloor af
- Beschermt uw bad tegen ziektekiemen
- Houdt schimmel-, bacterie- en algenvorming onder controle
- Kan het gebruik van chloor en andere chemicaliën tot 80% verminderen
- Voorkomt chloorlucht en irritatie aan huid en ogen (rode ogen)
- Beter voor het milieu in vergelijking met traditionele methoden

Voordelen van Blue Lagoon UV-C Timer:

- Ingebouwde elektronisch voorschakelapparaat, voor een gelijkmatige stroomvoorziening.
- Tot 35% meer UV-C opbrengst door reflectie
- Heeft een Philips UV-C lamp met 9000 branduren
- Geïntegreerde instelbare urenteller voor de UV-C lamp
- Geeft digitaal aan wanneer lamp moet worden vervangen
- 316L roestvrijstalen behuizing
- Eenvoudige installatie en onderhoud
- 2 jaar garantie op fabricagefouten
- Is geaard
- Verloopstukken Ø 63mm naar Ø 50mm meegeleverd

Veiligheid

Dit apparaat produceert schadelijke straling. Direct contact kan gevaar opleveren voor ogen en huid.

Controleer de werking van de UV-C lamp daarom uitsluitend via de transparante delen van de unit.

- Neem altijd de stekker uit het stopcontact voordat u onderhoud- of reparatiewerkzaamheden aan het apparaat uitvoert. Nooit de stekker in / uit stopcontact steken / halen als u in een plas water staat of natte handen heeft.
- Houd kinderen uit de buurt van dit apparaat en het snoer.
- De kabel van dit apparaat is niet vervangbaar. In geval van beschadiging van de stroomkabel moet het complete elektrische gedeelte van het apparaat vernieuwd worden. Verwijder nooit de stekker maar laat het elektrische gedeelte in tact. Een elektrisch gedeelte met afgeknipte stekker valt niet onder garantie.
- Installeer het apparaat nooit op een plek in de volle zon.
- Zorg ervoor dat er altijd water door de unit stroomt als de lamp brandt.
- Na uitschakelen van het apparaat zal de lamp nog ongeveer 10 minuten warm blijven.
- Bij beschadiging van onderdelen (in het bijzonder van het kwartsglas), het apparaat niet gebruiken.
- Bij bevroeringsgevaar tijdens de wintermaanden, het apparaat verwijderen.
- De roestvrijstalen behuizing van het apparaat is niet geschikt voor zoutwaterbaden met een hoog zout gehalte. Bij een te hoog zout gehalte oxideert het staal en raakt de behuizing beschadigd.
- Dit product is uitsluitend te gebruiken volgens de richtlijnen zoals beschreven in deze handleiding.

Installatie aarding (Tekening 1)

- 1 Voordat u de kunststof trekcontlasting (F) op de aardingsbout (A) monteert dient u eerst de kabel (B) door de trekcontlasting (F) te halen. Plaats de trekcontlasting (F) op ongeveer 10cm afstand van het oog (H) van de aardingskabel (B).
- 2 Plaats het oog (H) van de kabel (B) over de aardingsbout (A) die op de behuizing is bevestigd.
- 3 Plaats vervolgens een tandveerring (C), zeskantsmoer (D) en weer een tandveerring (E) op het oog (H).
- 4 Bevestig de trekcontlasting (F) er bovenop zodat er een lus van \varnothing 5cm ontstaat.
- 5 Als laatste de borgmoer (G) op de aardingsbout (A) plaatsen.
- 6 Als de diverse moeren op de juiste volgorde op de aardingsbout (A) zijn geplaatst kan dit met een steek-, of ringsleutel nummer 8, vastgedraaid worden. Zorg ervoor dat het niet te vast wordt aangedraaid, want dan kan de trekcontlasting scheuren. (De transparante moer die bij aanlevering op de aardingsbout (A) geschroefd is, heeft verder geen functie en kan weggegooid worden).

Installatie apparaat (Tekening 2)

Installeer de Blue Lagoon UV-C Timer nooit direct na de PH regelaar of zout elektrolyse systeem op uw zwembadinstallatie. De beste plaats om het apparaat te installeren is direct na de filter. Dit apparaat nooit onder water dompelen. Installatie altijd buiten het bad. Zorg ervoor dat er altijd water door de unit stroomt als de lamp brandt.

- 1 Bepaal de gewenste positie om het apparaat te installeren. Zorg ervoor dat er voldoende ruimte (+/- 1 mtr.) over blijft om de lamp (K)/ kwartsglas (M) te verwijderen voor vervanging en/of onderhoud.
- 2 Monteer de meegeleverde buisklemmen (O) op een vaste plaats, bevestig de unit in de buisklemmen en draai de driedelige koppeling (I) vast. Let daarbij op de juiste positie van de afdichtingsringen (P) zowel bij de aansluitingen als bij het kwartsglas (zie tekening 2).
- 3 Monteer de unit d.m.v. de driedelige koppelingen (I) in het circuit. De in- en uitlaat van de driedelige koppeling is \varnothing 63 mm. Indien uw leidingen kleiner zijn dan 63mm, kunt u gebruik maken van het verloopstuk (\varnothing 63 x \varnothing 50 mm) (T). Deze dient u te verlijmen op de driedelige koppeling (I). Aan de binnenkant van het verloopstuk (T) bevindt zich aan één zijde schroefdraad die de mogelijkheid biedt om er een eventuele verloopstuk inclusief afdichtingsring (niet meegeleverd) op te monteren. Voor verloopsetjes kunt u bij uw dealer terecht (artikelnummer B290020).
- 4 Draai de schroefring (N) los van de behuizing (U). Haal de UV-C lamp (K) uit de bijgeleverde koker (zie verpakking) en schuif de lamp voorzichtig in het kwartsglas (M). Koppel de witte lamphouder (L) voorzichtig aan de UV-C lamp (K) en schroef daarna de schroefring (N) handvast op de behuizing (U).
- 5 Stel de pomp in werking en controleer het systeem op doorstroom en lekkage.
- 6 Stop de stekker van het UV-C apparaat in een wandstopcontact met randaarde en voorzien van aardlekschakelaar. Controleer of de lamp brandt door de transparante delen van het apparaat. U schakelt het apparaat uit door de stekker uit het stopcontact te trekken.

Gebruiksaanwijzing digitale urenteller

Als de Blue Lagoon UV-C Timer is ingeschakeld gaat het programma zich zelf testen. De display geeft de volgende indicaties automatisch na elkaar: 8888 (display test) ; r en software versie nummer ; 50H of 60H indicatie van de netfrequentie
Daarna springt de display op de tellerstand.

Als de UVC lamp voor het eerst is ingeschakeld of nadat de "reset" functie is gebruikt, dan zal de waarde 4500 in de display verschijnen. Bij het meest rechtse cijfer op de display knippert elke seconde een punt die aangeeft dat de teller loopt.
De display staat automatisch op de door de fabriek ingestelde tellerstand van 4500 uur. Tot 4500 uur heeft de UV-C lamp 100% zijn werkende straling. Na 4500 uur zwakt de straling af en kan onvoldoende zijn om tot de gewenste resultaten te komen.
Indien u de UVC lamp al langer gebruikt en deze al eens eerder ingeschakeld is geweest zal de display na het inschakelen de waarde weergeven die de hij had voordat de UV-C lamp werd uitgeschakeld. Indien u de stand van de urenteller zelf heeft verhoogd of verlaagd dan wordt de laatste teller stand weergegeven die de display had voordat hij werd uitgeschakeld.
U kunt de instellingen van de urenteller indien gewenst wijzigen. Dit doet u als volgt:
Na het 5 seconden ingedrukt houden van de schakelaar (R) onder de display geeft de display "rSt" aan ter indicatie dat het gebruiker menu geselecteerd is. Na het loslaten van de schakelaar (R) knipperen de tellerstand en "rSt" afwisselend op de display. Door hierna de schakelaar kort in te drukken wordt door het mogelijkheden van het menu gestapt. Er zijn 3 instelmogelijkheden in het menu "rSt" "UP" en "dn".

- **"rSt"** betekent (reset): hiermee zet je de tellerstand terug naar de fabrieksinstellingen van 4500 uur. Deze selectie wordt bevestigd doordat de tellerstand en "rSt" in de display afwisselend knipperen. Als u de schakelaar(R) 5 seconden inhoud, waarna de tellerstand 4500 wordt weergegeven, en vervolgens loslaat, begint de urenteller terug te tellen vanaf de waarde 4500 uur. Deze keuze gebruikt u wanneer u bijvoorbeeld de lamp heeft vervangen of wanneer u de tellerstand zelf heeft gewijzigd en deze weer terug naar de fabrieksinstellingen wilt zetten.

- **"UP"** betekent (up): hiermee kan de tellerstand verhoogd worden naar de door u gewenste urenstand. Deze selectie wordt bevestigd doordat de gekozen gebruikersinstelling "UP" en de tellerstand in de display afwisselend knipperen. U dient daarna de schakelaar (R) 5 seconden in te houden. Op de display blijft na 5 seconden alleen nog "UP" in beeld staan. U dient dan de schakelaar los te laten.

Door het kort indrukken van de schakelaar kan de tellerwaarde vanaf 4500 in stappen van 500 uur verhoogd worden tot een maximale waarde van 9999. De verhoogde waarde knippert afwisselend met "UP" op de display.

Indien u de gewenste urenstand heeft geselecteerd wacht u 10 seconden. Na 10 seconden springt de geselecteerde urenstand in beeld en het terugtellen van de timer is gestart.

Indien u tijdens het verhogen van de tellerstand bijvoorbeeld een vergissing maakt dan kunt u de teller weer terug zetten naar 4500 door de schakelaar 5 seconden in te houden. De tellerwaarde is gereset naar 4500 en er kan een nieuwe waarde worden ingesteld.

- **"dn"** betekent (down): hiermee kan de tellerstand verlaagd worden naar de door u gewenste urenstand. Deze selectie wordt bevestigd doordat de gekozen gebruikersinstelling "dn" en de tellerstand in de display afwisselend knipperen. U dient daarna de schakelaar (R) 5 seconden in te houden. Op de display blijft na 5 seconden alleen nog "dn" in beeld staan. U dient dan de schakelaar los te laten.

Door het kort indrukken van de schakelaar kan de tellerwaarde vanaf 4500 in stappen van 500 uur verlaagd worden tot een minimale waarde van 0000. De verlaagde waarde knippert afwisselend met "dn" op de display.

Indien u de gewenste urenstand heeft geselecteerd wacht u 10 seconden. Na 10 seconden springt de geselecteerde urenstand in beeld en het terugtellen van de timer is gestart.

Indien u tijdens het verlagen van de tellerstand bijvoorbeeld een vergissing maakt dan kunt u de teller weer terug zetten naar 4500 door de schakelaar 5 seconden in te houden. De tellerwaarde is gereset naar 4500 en er kan een nieuwe waarde worden ingesteld.

De urenteller geeft u op de volgende manier aan dat de lamp moet vervangen moet worden:

- Vanaf urenstand 0672; display knippert om de seconde. De lamp dient over 4 weken vervangen te worden.
- Vanaf urenstand 0336; display knippert om de halve seconde; De lamp dient over 2 weken vervangen te worden.
- Vanaf urenstand 0168; display knippert om ¼ seconde; De lamp dient over 1 week vervangen te worden.
- Bij een urenstand van 0000; blijven de cijfers snel knipperen en zal de teller niet meer verder terugtellen. De lamp dient vervangen te worden.

Demontage/Onderhoud

Bij onderhoud/demontage van het apparaat altijd de stroomtoevoer uitschakelen.

Het apparaat dient 2 maal per jaar gereinigd te worden. Wanneer de algengroei en/of kalkaanslag toeneemt, moet de kwartsglazen buis (M) waarin de lamp gestoken is, schoongemaakt worden. De speciale lamp dient na uiterlijk 9.000 branduren vervangen te worden. Het RVS binnenwerk met een zachte borstel schoonmaken.

- 1 Draai de driedelige koppelingen (I) los en laat het water uit het apparaat stromen.
- 2 Schroef de schroefring (N) los en koppel de lamp (K) los van de lamphouder(L). Haal de lamp uit het kwartsglas en vervang indien nodig de speciale lamp (K). Voorzichtigheid is geboden daar het om zeer kwetsbare onderdelen gaat.
- 3 Verwijder voorzichtig het kwartsglas (M) d.m.v. een grote platte schroevendraaier (**zie tekening 3**). Nooit forceren!
- 4 Maak het kwartsglas schoon met een daarvoor geschikt middel. Gebruik altijd een zachte doek om het glas schoon te maken, voorkom krassen.
- 5 Let bij herplaatsing van het kwartsglas in het huis op de juiste positie van de 3 afdichtingsringen (P) en schuif het uiteinde van het kwartsglas voorzichtig in het opvangstuk (Q) (**zie tekening 4**). Nooit forceren!
- 6 Plaats de lamp voorzichtig terug in het kwartsglas en koppel de lamp(K) aan de lamphouder(L). Draai de schroefring (N) terug op de behuizing.
- 7 Het elektrische gedeelte van het apparaat bevindt zich in de displaykast (S) op het apparaat. Deze displaykast is gelijmd en niet te openen.

Bij vervanging van het elektrische gedeelte of de display dient de volledige kast losgeschroefd te worden en de bedrading van het apparaat los gemaakt te worden (**zie tekening 1**). Draai de schroefring (**N**) los en maak de lamphouder voorzichtig los van de lamp. Let er op dat u de diverse losse onderdelen zoals van de aarding etc. goed bewaart. Deze worden niet met een nieuwe behuizing of elektrisch gedeelte meegeleverd. Bij eventuele twijfel over de aansluiting, een erkende installateur raadplegen.

- 8 Indien de behuizing moet worden vervangen, dient de aarding (**J**) en het elektrische gedeelte met display (**S**) eerst van de behuizing (**U**) los gemaakt te worden (**zie tekening 1 & 2**). Schroef het elektrische gedeelte met display (**S**) en de lamphouder los van de behuizing. Let erop dat u de diverse losse onderdelen van de aarding goed bewaart. Deze worden niet met een nieuwe behuizing meegeleverd. Verwijder de lamp (**K**) en kwartsglas (**M**) uit de behuizing om breukschade te voorkomen tijdens transport. Bij eventuele twijfel over de aansluiting, een erkende installateur raadplegen.

Technische specificaties	40.000 L	75.000 L
• Lamp Philips TUV T5	40 Watt	75 Watt
• UV-C (W) output	15 Watt	25 Watt
• UV-C (%) na 4.500 uur	85%	80%
• UV-C (%) na 9.000 uur	0%	0%
• Zwembadinhoud (L.)	40.000 L	75.000 L
• Max. Doorstroom	20.000 l/h	25.000 l/h
• Max. Druk	3 bar	3 bar
• Max. Temperatuur	35°C	35°C
• Min. Temperatuur	0°C	0°C
• Aansluiting	Ø63mm/Ø50mm	Ø63mm/Ø50mm
• Lengte apparaat	100cm	100cm

Type UV-C systemen

Artikelnummer: B210002 Blue Lagoon UV-C Timer 40.000L / 40 Watt (230V; 50/60Hz)

Artikelnummer: B210003 Blue Lagoon UV-C Timer 75.000L / 75 Watt (230V; 50/60Hz)

Vervangingslampen

Artikelnummer: E800901 Philips Lamp type TUV 36T5 4P-SE (40 Watt)

Artikelnummer: E800902 Philips Lamp type TUV 36T5 HO 4P-SE (75 Watt)

Garantievoorwaarden

Het product is gedurende 24 maanden na aankoopdatum gegarandeerd tegen fabricagefouten. De lamp en het kwartsglas vallen buiten de garantie. Garantiegevallen kunnen alleen worden behandeld als het product franco terug wordt gestuurd en voorzien is van een geldig aankoopbewijs. Garantiereparaties mogen uitsluitend door de leverancier worden uitgevoerd. Garantieaanspraken die veroorzaakt zijn door installatie- of bedieningsfouten worden niet erkend. Defecten die ontstaan door gebrek aan onderhoud vallen ook niet onder de garantie. De leverancier is op geen enkele manier verantwoordelijk voor schade veroorzaakt door verkeerd gebruik van het product. De leverancier kan niet aansprakelijk worden gesteld voor vervolgschade die door uitval van het apparaat ontstaat. Reclamaties op grond van transportbeschadigingen kunnen alleen geaccepteerd worden, wanneer de beschadiging bij aflevering door de expediteur of postierijen werd vastgesteld of bevestigd. Alleen dan is het mogelijk, aanspraken t.o.v. de expediteur of postierijen te doen.

Blue Lagoon UV-C Timer 40.000 – 75.000

E

Antes de instalar este aparato se deberán leer detenidamente las presentes instrucciones.

Funcionamiento

El aparato Blue Lagoon UV-C Timer genera, por medio de una lámpara UV especial Philips, una radiación UV-C de una longitud de onda de 253,7 nm, la cual se encarga de eliminar las bacterias (entre otras, la legionela). El Blue Lagoon UV-C Timer asegura un agua limpia, fresca y clara de manera eficiente y ecológica. El agua se hace pasar por medio de una bomba por el aparato UV-C. La radiación UV-C neutraliza las bacterias, los virus y otros organismos primitivos y detiene la reproducción de éstos. El Blue Lagoon UV-C Timer lleva incorporado un estabilizador electrónico de alta frecuencia. Este estabilizador amortigua las oscilaciones de la corriente para una mayor protección de la lámpara. El aparato va equipado también con un cuentahoras integrado, el cual registra exactamente el número de horas que la lámpara está encendida. Usted podrá comprobar en cualquier momento cuándo hay que sustituir la lámpara. Además, el interior de acero inoxidable asegura la reflexión de la radiación UV-C, lo que incrementa la eficiencia en un 35%. Gracias al Blue Lagoon UV-C Timer podrá desinfectar el agua de su piscina de manera segura y eficiente, a la vez que mantiene una excelente calidad de ésta.

Ventajas del tratamiento con UV-C:

- Obtención de agua fresca, limpia y clara
- Desinfección del agua de manera eficiente y segura
- La luz UV-C descompone el cloro combinado
- Protección de la piscina contra los gérmenes patógenos
- Control de la formación de hongos, bacterias y algas
- Posibilidad de reducir hasta un 80% el uso de cloro y otros productos químicos
- Se evita el olor a cloro y la irritación de la piel y los ojos (enrojecimiento de los ojos)
- Mejor para el medio ambiente en comparación con los métodos tradicionales

Ventajas del Blue Lagoon UV-C Timer:

- Estabilizador electrónico incorporado para obtener una corriente uniforme
- Hasta un 35% más de rendimiento de la radiación UV-C por reflexión
- Va provisto de una lámpara UV-C Philips con una vida útil de 9.000 horas
- Cuentahoras integrado para la lámpara UV-C
- Indicación digital de cuándo hay que sustituir la lámpara
- Carcasa en acero inoxidable 316L
- Instalación y mantenimiento sencillos
- 2 años de garantía por defectos de fabricación
- Lleva toma de tierra
- Se suministra con reductores de Ø 63 mm a Ø 50 mm

Seguridad

Este aparato produce radiación dañina. El contacto directo puede ser peligroso para los ojos y la piel.

Por consiguiente, el control del funcionamiento de la lámpara UV-C sólo deberá realizarse a través de las partes transparentes del aparato.

- Antes de efectuar cualquier trabajo de mantenimiento o de reparación se deberá desconectar el enchufe de la red. Nunca se deberá conectar o desconectar el enchufe si se encuentra usted en un charco de agua o si tiene las manos mojadas.
- Impida que los niños se acerquen al aparato o al cordón eléctrico.
- El cable de este aparato no se puede sustituir. En caso de desperfectos en el cable eléctrico, se deberá sustituir la parte eléctrica completa del aparato por otra nueva. No quite nunca la clavija de enchufe y deje la parte eléctrica intacta. Si se ha cortado el enchufe de la parte eléctrica, quedará invalidada la garantía para la parte eléctrica.
- No instale el aparato nunca en un lugar donde dé de lleno el sol.
- Estando la lámpara encendida, siempre deberá circular agua por el aparato.
- Después de desconectar el aparato, la lámpara seguirá estando caliente durante unos 10 minutos.
- En caso de daños en las piezas (especialmente en el vidrio de cuarzo), no se deberá utilizar el aparato.
- Durante los meses de invierno, si existe peligro de helada, se deberá retirar el aparato.
- La carcasa de acero inoxidable del aparato no es apropiada para estanques de agua salada con una alta concentración de sal. Si la concentración de sal es demasiado alta, el acero se oxidará y se producirán daños en la carcasa.
- Este producto sólo se deberá utilizar de conformidad con las normas que se indican en este manual de instrucciones.

Puesta a tierra de la instalación (Dibujo 1)

- 1 Antes de montar el sujetacables de plástico (F) al tornillo de puesta a tierra (A) hay que pasar el cable (B) por el sujetacables (F). Coloque el sujetacables (F) a una distancia de unos 10 cm del ojal (H) del cable de tierra (B).
- 2 Acople el ojal (H) del cable (B) al tornillo de puesta a tierra (A) que se encuentra en la carcasa.
- 3 Seguidamente, coloque una arandela elástica dentada (C), una tuerca hexagonal (D) y otra arandela dentada (E) en el ojal (H).
- 4 Acople encima el sujetacables (F), de forma que quede un lazo de \varnothing 5 cm.
- 5 Finalmente, coloque una tuerca de bloqueo (G) al tornillo de puesta a tierra (A).
- 6 Una vez que se han colocado las distintas tuercas en el orden correcto en el tornillo de puesta a tierra (A), se podrá proceder a apretar el conjunto con una llave fija o una llave de tubo del número 8. Evite apretar excesivamente, ya que esto podría romper el sujetacables. (Una vez hecho esto, la tuerca transparente que lleva de fábrica el tornillo de puesta a tierra (A) no tiene objeto alguno, por lo que se puede desechar).

Instalación del aparato (Dibujo 2)

No instale nunca el Blue Lagoon UV-C Timer inmediatamente después del regulador de pH o del sistema de electrólisis de sal de la piscina. El mejor sitio para instalar el aparato es inmediatamente después del filtro. Este aparato nunca se deberá sumergir en el agua. La instalación ha de efectuarse siempre fuera del agua. Estando la lámpara encendida, siempre deberá circular agua por el aparato.

- 1 Determine la posición deseada para la instalación del aparato. Asegúrese de que queda espacio suficiente (+/- 1 metro) para poder quitar la lámpara (K) y/o el vidrio de cuarzo (M) para sustitución o mantenimiento.
- 2 Monte las abrazaderas de tubo (O) suministradas en un punto fijo, acople la unidad a las abrazaderas de tubo y apriete el acoplamiento de tres piezas (I). Tenga en cuenta la posición correcta de las arandelas de estanqueidad (P), tanto en las conexiones como en el vidrio de cuarzo (véase el dibujo 2).
- 3 Monte la unidad en el circuito mediante los acoplamientos de tres piezas (I). El diámetro de la entrada y salida del acoplamiento de tres piezas es \varnothing 63 mm. Si las tuberías que usted utiliza son de menos de 63 mm, podrá utilizar el reductor (\varnothing 63 x \varnothing 50 mm) (T). Éste lo deberá encolar al acoplamiento de tres piezas (I). La parte exterior del reductor (T) lleva rosca en uno de los lados, lo que permite montar eventualmente un manguito reductor con arandela de estanqueidad (no suministrado). Para los juegos de reductores puede dirigirse a su distribuidor (número de artículo B290020).
- 4 Suelte el anillo roscado (N) de la carcasa (U). Saque la lámpara UV-C (K) del tubo suministrado (véase embalaje) e introdúzcala con cuidado en el tubo de cuarzo (M). Acople cuidadosamente el portalámpara blanco (L) a la lámpara UV-C (K) y apriete a continuación manualmente el anillo de rosca (N) a la carcasa (U).
- 5 Ponga la bomba en funcionamiento y controle si el líquido circula correctamente y si se produce alguna fuga.
- 6 Introduzca la clavija del aparato UV-C en una toma de corriente mural con puesta a tierra y provista de interruptor de fuga a tierra. A través de las partes transparentes del aparato, controle si la lámpara está encendida. Para desconectar el aparato, retire la clavija de la toma de corriente.

Indicaciones de uso del cuentahoras digital

Al ponerse en funcionamiento el Blue Lagoon UV-C Timer se lleva a cabo una autocomprobación del programa. En el visor aparecen automáticamente las siguientes indicaciones en forma consecutiva: 8888 (comprobación del visor) ; r y número de versión del software ; indicación de 50H o 60H de la frecuencia de la red
Seguidamente el visor salta a la posición del contador.

Al encenderse por primera vez la lámpara UV-C, o después de que se haya utilizado la función de "reset" (reinicio), aparecerán en el visor las cifras 4500. Junto a la última cifra de la derecha del visor parpadea cada segundo un punto para indicar que el contador funciona.

El visor está automáticamente en la posición del visor ajustada de fábrica, que es de 4.500 horas. Hasta la hora 4.500 la lámpara UV-C emite una radiación efectiva al 100%. Transcurridas 4.500 horas, la radiación pasa a ser más débil y puede ser insuficiente para obtener el resultado que se desea.

Si utiliza usted la lámpara UV-C ya algún tiempo y ésta ha estado encendida con anterioridad, al encenderla de nuevo aparecerá en el visor el valor que ésta indicaba antes de apagarla la última vez. Si ha aumentado o reducido usted mismo la indicación del cuentahoras, se mostrará la última posición del cuentahoras que aparecía en el visor antes de desactivarse éste.

Los ajustes del cuentahoras se pueden modificar si se desea. Esto se hace de la siguiente manera:

Si se mantiene pulsado durante 5 segundos el interruptor (R) de debajo del visor, se mostrará en éste "rSt", lo que significa que se ha seleccionado el menú del usuario. Al soltar el interruptor (R) parpadearán en el visor alternativamente la posición del cuentahoras y las letras "rSt". Pulsando a continuación brevemente el interruptor se puede pasar a las distintas opciones del menú. Existen 3 posibilidades de ajuste en el menú: "rSt", "UP" y "dn".

- "rSt" significa "reset" (reinicio): esto permite hacer retroceder la posición del cuentahoras a los ajustes de fábrica de 4.500 horas.

Para confirmar esta selección, parpadearán alternativamente en el visor la posición del cuentahoras y "rSt". Si se mantiene pulsado el interruptor (R) durante 5 segundos, se mostrará la posición del cuentahoras 4500 y, al soltar de nuevo el interruptor, el contador iniciará la cuenta atrás a partir de 4.500 horas. Este ajuste se puede realizar, por ejemplo, cuando se ha cambiado la lámpara, o cuando uno mismo ha modificado la posición del cuentahoras y quiere volver a ponerlo como estaba ajustado de fábrica.

- "UP" significa "up" (arriba): se utiliza para incrementar el valor del cuentahoras hasta el número de horas que se desee.

Para confirmar esta selección, parpadearán alternativamente en el visor el ajuste "UP" y la posición del cuentahoras. Seguidamente se deberá mantener oprimido el interruptor (R) durante 5 segundos. Transcurridos los 5 segundos, en la pantalla sólo aparecerán las letras "UP". En ese momento se deberá soltar de nuevo el interruptor.

Mediante cortas pulsaciones del interruptor se puede aumentar el valor del cuentahoras, en pasos de 500 horas, desde 4.500 hasta un valor máximo de 9.999. El valor superior seleccionado parpadeará en el visor alternativamente con "UP".

Una vez seleccionadas las horas que se desea, se deberá esperar 10 segundos. A los 10 segundos aparece en el visor el número de horas seleccionado y se inicia la cuenta atrás del temporizador.

En caso de que se equivoque al aumentar la posición del cuentahoras, se podrá hacer retroceder el contador a 4.500 manteniendo pulsado el interruptor 5 segundos. Así se reinicia el contador a 4.500 y se puede ajustar éste al valor que se desee.

- "dn" significa "down" (abajo): se utiliza para reducir el valor del cuentahoras hasta el número de horas que se desee.

Para confirmar esta selección, parpadearán alternativamente en el visor el ajuste "dn" y la posición del cuentahoras. Seguidamente se deberá mantener oprimido el interruptor (R) durante 5 segundos. Transcurridos los 5 segundos, en la pantalla sólo aparecerán las letras "dn". En ese momento se deberá soltar de nuevo el interruptor.

Mediante cortas pulsaciones del interruptor se puede reducir el valor del cuentahoras hasta un valor mínimo de 0000. El valor inferior seleccionado parpadeará en el visor alternativamente con "dn".

Una vez seleccionadas las horas que se desea, se deberá esperar 10 segundos. A los 10 segundos aparece en el visor el número de horas seleccionado y se inicia la cuenta atrás del temporizador.

En caso de que se equivoque al reducir la posición del cuentahoras, se podrá hacer retroceder el contador a 4.500 manteniendo pulsado el interruptor 5 segundos. Así se reinicia el contador a 4.500 y se puede ajustar éste al valor que se desee.

El cuentahoras indica de la siguiente manera que se ha de sustituir la lámpara:

- A partir de la posición de 0672 horas: el visor parpadea cada segundo. La lámpara se deberá sustituir dentro de 4 semanas.

- A partir de la posición de 0336 horas: el visor parpadea cada medio segundo; la lámpara se tiene que cambiar dentro de 2 semanas.

- A partir de la posición de 0168 horas: el visor parpadea cada ¼ de segundo; la lámpara se tiene que cambiar dentro de 1 semana.

- Al llegar a la posición de 0000 horas, las cifras permanecen parpadeando rápidamente y el cuentahoras dejará de contar. La lámpara se deberá sustituir.

Desmontaje y mantenimiento

Para realizar trabajos de mantenimiento y desmontaje del aparato se deberá desconectar la alimentación de corriente eléctrica.

El aparato se deberá limpiar 2 veces al año. Al aumentar el desarrollo de algas y/o los depósitos de cal se deberá limpiar el tubo de cuarzo (M) en el que se encuentra la lámpara. La lámpara especial se deberá sustituir a más tardar después de 9.000 horas de servicio. Limpie la parte interior de acero inoxidable con un cepillo suave.

1 Suelte los acoplamientos de tres piezas (I) y deje que se vacíe el agua del aparato.

2 Suelte el anillo roscado (N) y retire la lámpara (K) del portalámparas (L). Saque la lámpara del tubo de cuarzo y, de ser necesario, sustituya la lámpara especial (K). Esto hay que hacerlo con cuidado, ya que se trata de piezas que se pueden dañar muy fácilmente.

3 Quite con cuidado el vidrio de cuarzo (M) utilizando un destornillador plano grande (véase el dibujo 3). ¡En ningún caso se deberá forzar!

- 4 Limpie el vidrio de cuarzo con un medio adecuado para este fin. Utilice siempre un paño suave para limpiar el vidrio y evite que se produzcan arañazos.
- 5 Al volver a colocar el tubo de cuarzo en el alojamiento, tenga en cuenta la posición correcta de las 3 arandelas de estanqueidad (P) e introduzca el extremo del tubo de cuarzo cuidadosamente en el soporte (Q) (véase el dibujo 4). ¡En ningún caso se deberá forzar!
- 6 Coloque cuidadosamente la lámpara en el tubo de cuarzo y acople la lámpara (K) al portalámparas (L). Ponga el anillo roscado (N) en la carcasa.
- 7 El conjunto eléctrico se encuentra en la caja del visor (S) del aparato. La caja del visor va encolada y no se puede abrir. Para cambiar el conjunto eléctrico o el visor hay que desenroscar y retirar la caja completa y soltar los cables del aparato (véase el dibujo 1). Suelte el anillo roscado (N) y retire con cuidado el portalámparas de la lámpara. Atención: Guarde bien las distintas piezas sueltas, como los elementos de puesta a tierra, etc. Estas piezas no se suministran con una carcasa o un conjunto eléctrico nuevos. En caso de duda sobre la conexión, consulte con un instalador eléctrico autorizado.
- 8 Si se ha de sustituir la carcasa, se deberá retirar primero la toma de tierra (J) y la parte eléctrica con el visor (S) de la carcasa (U) (véase el dibujo 1 y 2). Suelte la parte eléctrica con el visor (S) y el portalámpara de la carcasa. Atención: Guarde bien las distintas piezas sueltas de la toma de tierra. Estas piezas no se suministran con la carcasa nueva. Quite la lámpara (K) y el tubo de cuarzo (M) de la carcasa para evitar que se produzcan daños durante el transporte. En caso de duda sobre la conexión, consulte con un instalador eléctrico autorizado.

Especificaciones técnicas	40.000 L	75.000 L
• Lámpara Philips TUV T5	40 W	75 W
• Potencia UV-C (W)	15 W	25 W
• UV-C (%) después de 4.500 horas	85%	80%
• UV-C (%) después de 9.000 horas	0%	0%
• Capacidad de la piscina (L.)	40.000 L	75.000 L
• Caudal máx.	20.000 l/h	25.000 l/h
• Presión máx.	3 bar	3 bar
• Temperatura máx.	35°C	35°C
• Temperatura mín.	0°C	0°C
• Conexión	Ø63mm / Ø50mm	Ø63mm / Ø50mm
• Longitud del aparato	100cm	100cm

Tipos de sistemas UV-C

Número de artículo: B210002 Blue Lagoon UV-C Timer 40.000L / 40 W (230 V; 50/60 Hz)

Número de artículo: B210003 Blue Lagoon UV-C Timer 75.000L / 75 W (230 V; 50/60 Hz)

Lámparas de recambio

Número de artículo: E800901 Lámpara Philips tipo TUV 36T5 4P-SE (40 W)

Número de artículo: E800902 Lámpara Philips tipo TUV 36T5 HO 4P-SE (75 W)

Condiciones de garantía

El producto está garantizado contra defectos de fabricación durante un periodo de 24 meses a partir de la fecha de compra. La lámpara y el tubo de cuarzo no se incluyen en la garantía. Las reclamaciones de garantía sólo se podrán atender si el producto se devuelve con portes pagados y provisto de un justificante de compra válido. Las reparaciones en régimen de garantía sólo las deberá realizar el proveedor. No se admitirán reclamaciones de garantía por causas debidas a instalación o manejo inadecuados. Quedan también excluidos de la garantía los defectos originados por un mantenimiento deficiente. El proveedor no asume ninguna clase de responsabilidad por daños ocasionados por un uso inapropiado del producto. El proveedor no será responsable por daños indirectos debidos a fallo del aparato. Las reclamaciones por daños durante el transporte sólo se aceptarán si éstos han sido comprobados o confirmados por el transportista, o por el servicio de correos, en el momento de la entrega. Sólo en tal caso se podrán formular reclamaciones al transportista o al servicio de correos.

Timer UV-C Blue Lagoon 40.000 - 75.000

I

Prima di installare questo apparecchio, leggere attentamente le presenti istruzioni per l'uso.

Funzionamento

L'apparecchio Timer Blue Lagoon UV-C genera raggi UV-C con una lunghezza d'onda di 253,7 nm grazie alla speciale lampada Philips UV, che ha un'azione di eliminazione dei batteri (fra cui quelli della legionella). L'apparecchio Timer Blue Lagoon UV-C assicura un'acqua pulita, fresca e trasparente in modo efficiente ed ecologico. L'acqua viene trasportata attraverso l'apparecchio a UV-C mediante una pompa. Le radiazioni UV-C neutralizzano i batteri, i virus e gli altri organismi primitivi, e ne arrestano la moltiplicazione. L'apparecchio Timer Blue Lagoon UV-C è dotato di una zavorra elettronica ad alta frequenza integrata. Questa zavorra assorbe le variazioni di corrente, proteggendo così la lampada. L'apparecchio comprende inoltre un contatore integrato, per mantenere un conteggio accurato delle ore di funzionamento. Esso consente di sapere esattamente quando occorre sostituire la lampada. L'interno di acciaio inossidabile fornisce un riflesso aggiuntivo delle radiazioni UV-C, aumentando fino al 35% l'efficienza dell'apparecchio. Grazie al Timer UV-C Blue Lagoon, l'acqua risulterà disinfettata in modo sicuro ed efficiente, mantenendo una qualità eccellente.

Vantaggi del trattamento UV-C:

- Mantiene l'acqua fresca, pulita e trasparente
- Disinfetta l'acqua in modo efficiente e sicuro
- I raggi UV-C scindono i composti clorati
- Protegge dai ceppi batterici quando si fa il bagno
- Tiene sotto controllo la formazione di muffe, batteri e alghe
- Permette di ridurre fino all'80% l'uso di cloro e altre sostanze chimiche
- Previene l'odore di cloro e l'irritazione alla pelle e agli occhi (arrossamento)
- Più ecologico rispetto ai metodi tradizionali

Vantaggi del Timer UV-C Blue Lagoon:

- Dispositivo elettronico integrato di preattivazione, per un'alimentazione uniforme.
- Fino al 35% in più di rendimento UV-C grazie al riflesso
- Dotato di lampada UV-C Philips da 9000 ore di funzionamento
- Contatore regolabile integrato per la lampada a UV-C
- Indicazione digitale di quando occorre sostituire la lampada
- Alloggiamento in acciaio inossidabile 316L
- Facilità di installazione e manutenzione
- 2 anni di garanzia sui difetti di fabbricazione
- Collegamento a massa
- Adattatori da 63 a 50 mm di diametro in dotazione

Sicurezza

Questo apparecchio produce raggi nocivi. Il contatto diretto può costituire un rischio per gli occhi e la pelle.

Pertanto, controllare il funzionamento della lampada UV-C esclusivamente attraverso i componenti trasparenti dell'unità.

- Prima di eseguire interventi di manutenzione o riparazione dell'apparecchio, estrarre sempre la spina dalla presa. Non inserire e non estrarre mai la spina dalla presa con le mani bagnate o quando ci si trova in una pozzanghera.
- Tenere l'apparecchio e il cavo fuori dalla portata dei bambini.
- Il cavo di questo apparecchio non può essere sostituito. In caso di danni al cavo di alimentazione occorre sostituire la parte elettrica completa dell'apparecchio. Non eliminare mai la spina, ma lasciare intatta la sezione elettrica. La sezione elettrica con la spina tagliata non è coperta da garanzia.
- Non installare mai l'apparecchio in una zona in pieno sole.
- Quando la lampada è accesa, l'unità deve sempre essere attraversata dall'acqua.
- Dopo la disattivazione dell'apparecchio, la lampada rimane calda ancora per 10 minuti circa.
- Non utilizzare l'apparecchio in caso di danni ai componenti (in particolare al vetro al quarzo).
- Se vi è rischio di gelo nei mesi invernali, smontare l'apparecchio.
- L'alloggiamento di acciaio inossidabile dell'apparecchio non è adatto per le piscine salate con un elevato tenore di sale. Se il tenore di sale è eccessivo, l'acciaio si ossida e l'alloggiamento si danneggia.
- Questo prodotto deve essere utilizzato esclusivamente secondo le direttive fornite in questo manuale.

Installazione del collegamento a massa (Disegno 1)

- 1 Prima di montare il dispositivo antitrazione in plastica (F) sul bullone di collegamento a massa (A) occorre fare passare il cavo (B) attraverso il dispositivo antitrazione (F). Montare il dispositivo antitrazione (F) a circa 10 cm di distanza dall'occhiello (H) del cavo di collegamento a massa (B).
- 2 Disporre l'occhiello (H) del cavo (B) sul bullone di collegamento a massa (A) fissato all'alloggiamento.
- 3 Montare quindi una rondella dentata (C), un dado esagonale (D) e un'altra rondella dentata (E) sull'occhiello (H).
- 4 Fissare il dispositivo antitrazione (F) su di essa in modo da creare un'asola di 5 cm di diametro.
- 5 In ultimo, montare il dado di sicurezza (G) sul bullone di collegamento a massa (A).
- 6 Dopo avere montato i vari dadi nell'ordine giusto sul bullone di collegamento a massa (A), serrarli con una chiave a brugola o a testa esagonale numero 8. Non serrare eccessivamente i dadi, poiché il dispositivo antitrazione può rompersi.
(Il dado trasparente avvitato al bullone di collegamento a massa (A) non ha alcuna funzione e può essere gettato via).

Installazione dell'apparecchio (Disegno 2)

Non installare mai il Timer Blue Lagoon UV-C direttamente a valle del regolatore di pH o del sistema di elettrolisi del sale della piscina. Il punto migliore in cui installare l'apparecchio è direttamente a valle del filtro. Non immergere mai questo apparecchio nell'acqua. Installare sempre l'apparecchio fuori dalla vasca. Quando la lampada è accesa, l'unità deve sempre essere attraversata dall'acqua.

- 1 Stabilire la posizione desiderata per l'installazione dell'apparecchio. Accertarsi che vi sia uno spazio sufficiente (+/- 1 m) per smontare la lampada (K) il vetro al quarzo (M) per la sostituzione e/o la manutenzione.
- 2 Montare i morsetti in dotazione (O) in un punto definito, fissare l'unità alle fascette per tubi e serrare il giunto tripartito (I). Prestare attenzione alla posizione delle guarnizioni di tenuta (P) sia a livello dei collegamenti, sia del vetro al quarzo (vedere il disegno 2).
- 3 Montare l'unità utilizzando i giunti tripartiti (I) nel circuito. L'ingresso e l'uscita del giunto tripartito hanno un diametro di 63 mm. Se i tubi hanno un diametro inferiore a 63 mm, si può utilizzare l'adattatore (Ø 63 x Ø 50 mm) (T). Esso deve essere incollato sul giunto tripartito (I). All'interno dell'adattatore (T) vi è da un lato una filettatura che permette di montare un eventuale manico con guarnizione di tenuta (non in dotazione). Per i set di adattatori rivolgersi al rivenditore di fiducia (numero di articolo B290020).
- 4 Svitare la guarnizione filettata (N) dall'alloggiamento (U). Estrarre la lampada a UV-C (K) dall'involucro in dotazione (vedere l'imballaggio) e inserire delicatamente la lampada nel vetro al quarzo (M). Collegare delicatamente il portalampana bianco (L) alla lampada a UV-C (K), quindi avvitare manualmente la guarnizione filettata (N) sull'alloggiamento (U).
- 5 Azionare la pompa e controllare che il sistema non presenti perdite e che l'acqua fluisca senza ostacoli.
- 6 Inserire la spina dell'apparecchio UV-C in una presa a muro con collegamento a massa e dotato di interruttore di perdita a massa. Controllare che la lampada sia accesa attraverso i componenti trasparenti dell'apparecchio. Per disattivare l'apparecchio, estrarre la spina dalla presa.

Istruzioni per l'uso del contaore digitale

Quando il Timer Blue Lagoon UV-C è attivato, il programma esegue automaticamente una prova. Il display visualizza automaticamente le seguenti indicazioni: 8888 (visualizzazione prova); r e numero di versione del software; 50H o 60H indicazione della frequenza di rete. A questo punto, il display passa alla modalità contaore.

Se la lampada UV-C viene attivata per la prima volta, o dopo avere utilizzato la funzione di "reset", sul display viene visualizzato il valore 4500. Accanto alla cifra più a destra sul display lampeggia una volta al secondo un punto che indica che il contaore è in funzione. Il display è impostato automaticamente sul valore impostato alla fabbrica di 4500 ore. Fino a 4500 ore, la lampada a UV-C fornisce il 100% dell'efficacia delle radiazioni. Dopo 4500 le radiazioni diventano meno intense e possono essere insufficienti per il risultato desiderato. Se la lampada UV-C è in uso da lungo tempo ed è già stata attivata in precedenza, dopo l'attivazione sul display viene visualizzato il valore indicato prima della disattivazione della lampada UV-C. Se il valore del contaore è stato aumentato o ridotto dall'utente, viene visualizzata l'ultima posizione del contaore indicata sul display prima della disattivazione.

Se lo si desidera, è possibile modificare le impostazioni del contaore. A questo scopo, procedere come segue:

Dopo avere tenuto premuto per il 5 secondi l'interruttore (R) sotto il display, su di esso compare la scritta "rSt", a indicazione del fatto che è stato selezionato il menu per l'utente. Dopo avere rilasciato l'interruttore (R), sul display si alternano la posizione del contaore e la scritta "rSt". Premendo brevemente l'interruttore, si visualizzano le possibilità offerte dal menu. Il menu offre 3 possibilità di regolazione: "rSt", "UP" e "dn".

- **“rSt”** significa reset: esso consente di riportare il contatore all'impostazione di fabbrica di 4500 ore. Questa scelta è confermata dal fatto che sul display si alternano la posizione del contatore e la scritta **“rSt”**. Tenendo premuto l'interruttore (R) per 5 secondi, e rilasciandolo dopo che è comparso il valore 4500, il contatore riparte a contare a partire dal valore di 4500 ore. Utilizzare questa selezione ad esempio dopo che si è sostituita la lampada o si è modificata la posizione del contatore e si desidera ripristinare le impostazioni di fabbrica.

- **“UP”** significa up (su): questa opzione permette di aumentare la posizione del contatore alla posizione desiderata. Questa scelta è confermata dal fatto che sul display si alternano l'impostazione dell'utente **“UP”** e la posizione del contatore. Tenere quindi premuto l'interruttore (R) per 5 secondi. Dopo 5 secondi, sul display rimane visualizzata soltanto la scritta **“UP”**. A questo punto occorre rilasciare l'interruttore.

Premendo brevemente l'interruttore, il valore del contatore può essere aumentato a passi di 500 ore da 4500 ore a un massimo di 9999. Il valore aumentato si alterna con la scritta **“UP”** sul display.

Dopo avere selezionato la posizione desiderata, attendere 10 secondi. Dopo 10 secondi, viene visualizzata la posizione selezionata, e il timer inizia il conteggio all'indietro.

Se mentre si aumenta la posizione del contatore si compie un errore, è possibile riportare il contatore al valore di 4500 tenendo premuto l'interruttore per 5 secondi. Il valore del contatore viene riportato a 4500 ed è possibile impostare un nuovo valore.

- **“dn”** significa giù (down): questa opzione permette di ridurre la posizione del contatore alla posizione desiderata. Questa scelta è confermata dal fatto che sul display si alternano l'impostazione dell'utente **“dn”** e la posizione del contatore. Tenere quindi premuto l'interruttore (R) per 5 secondi. Dopo 5 secondi, sul display rimane visualizzata soltanto la scritta **“dn”**. A questo punto occorre rilasciare l'interruttore.

Premendo brevemente l'interruttore, il valore del contatore può essere ridotto a passi di 500 ore da 4500 ore a un minimo di 0000. Il valore ridotto si alterna con la scritta **“dn”** sul display.

Dopo avere selezionato la posizione desiderata, attendere 10 secondi. Dopo 10 secondi, viene visualizzata la posizione selezionata, e il timer inizia il conteggio all'indietro.

Se mentre si riduce la posizione del contatore si compie un errore, è possibile riportare il contatore al valore di 4500 tenendo premuto l'interruttore per 5 secondi. Il valore del contatore viene riportato a 4500 ed è possibile impostare un nuovo valore.

Il valore indica come segue che è necessario sostituire la lampada:

- Dalla posizione 0672; il display lampeggia una volta al secondo. La lampada deve essere sostituita fra 4 settimane.
- Dalla posizione 0336; il display lampeggia una volta ogni mezzo secondo; la lampada deve essere sostituita fra 2 settimane.
- Dalla posizione 0168; il display lampeggia una volta ogni quarto di secondo; la lampada deve essere sostituita fra 1 settimana.
- Nella posizione 0000 le cifre lampeggiano rapidamente e il contatore cessa il conteggio all'indietro. La lampada deve essere sostituita.

Smontaggio/Manutenzione

Per la manutenzione/lo smontaggio dell'apparecchio, disattivare sempre l'alimentazione di corrente.

L'apparecchio deve essere pulito due volte all'anno. Quando la crescita di alghe e/o i depositi di calcare aumentano, occorre pulire il tubo di vetro al quarzo (M) in cui è inserita la lampada. La lampada speciale deve essere sostituita al massimo dopo 9.000 ore di funzionamento.

Pulire l'interno in acciaio inossidabile con una spazzola morbida.

- 1 Staccare i giunti tripartiti (I) e lasciare defluire l'acqua dall'apparecchio.
- 2 Svitare la guarnizione filettata (N) e staccare la lampada (K) dal portalampada (L). Estrarre la lampada dal vetro al quarzo e se necessario sostituire la lampada speciale (K). Procedere delicatamente, poiché si tratta di componenti molto fragili.
- 3 Smontare delicatamente il vetro al quarzo (M) utilizzando un grande cacciavite piatto (**vedere il disegno 3**). Non forzare!
- 4 Pulire il vetro al quarzo con un detergente adatto. Utilizzare sempre un panno morbido per pulire il vetro ed evitare di graffiarlo.
- 5 Durante il montaggio del vetro al quarzo nell'alloggiamento, prestare attenzione che le 3 guarnizioni di tenuta (P) siano posizionate correttamente, e fare scorrere delicatamente l'estremità del vetro al quarzo nel ricettacolo (Q) (**vedere il disegno 4**). Non forzare!
- 6 Rimontare delicatamente la lampada nel vetro al quarzo e montare la lampada (K) nel portalampada (L). Riavvitare la guarnizione filettata (N) sull'alloggiamento.

- 7 La parte elettrica dell'apparecchio si trova nell'armadio del display (S) sull'apparecchio. Questo armadio del display è incollato e non si apre. Quando si sostituisce la parte elettrica o il display, occorre svitare l'armadio elettrico completo e staccare i fili dell'apparecchio (vedere il disegno 1). Svitare il coperchio a vite (N) e staccare delicatamente il portalampada dalla lampada. Conservare con cura i vari componenti sciolti del collegamento a massa ecc. Questi non vengono forniti con un nuovo alloggiamento o con una nuova parte elettrica. In caso di dubbi sul collegamento, consultare un installatore riconosciuto.
- 8 Se occorre sostituire l'alloggiamento, occorre prima staccare il collegamento a massa (J) e la sezione elettrica con il display (S) dall'alloggiamento (U) (vedere i disegni 1 e 2). Svitare la sezione elettrica con il display (S) e il portalampada dall'alloggiamento. Conservare con cura i vari componenti sciolti del collegamento a massa. Questi non vengono forniti in dotazione con un nuovo alloggiamento. Smontare la lampada (K) e il vetro al quarzo (M) dall'alloggiamento per evitare i danni durante il trasporto. In caso di dubbi sul collegamento, consultare un installatore riconosciuto.

Specifiche tecniche	40.000 L	75.000 L
• Lampada Philips TUV T5	40 Watt	75 Watt
• Emissione di UV-C (W)	15 Watt	25 Watt
• UV-C (%) dopo 4.500 ore	85%	80%
• UV-C (%) dopo 9.000 ore	0%	0%
• Capacità della piscina (L)	40.000 L	75.000 L
• Flusso max.	20.000 l/h	25.000 l/h
• Pressione max.	3 bar	3 bar
• Temperatura max.	35°C	35°C
• Temperatura min.	0°C	0°C
• Collegamento	Ø63mm/Ø50mm	Ø63mm/Ø50mm
• Lunghezza dell'apparecchio	100cm	100cm

Tipi di sistemi UV-C

Numero articolo: B210002 Timer UV-C Blue Lagoon da 40 Litri / 40 Watt (230 V; 50/60 Hz)

Numero articolo: B210003 Timer Blue Lagoon UV-C da 75.000 L / 75 Watt (230 V; 50/60 Hz)

Lampade da sostituire

Numero articolo: E800901 Lampada Philips tipo TUV 36T5 4P-SE (40 Watt)

Numero articolo: E800902 Lampada Philips tipo TUV 36T5 4P-SE (75 Watt)

Condizioni di garanzia

Il prodotto è coperto da garanzia sui difetti di fabbricazione per 24 mesi dalla data di acquisto. La lampada e il vetro al quarzo non sono coperti da garanzia. La garanzia si applica soltanto a condizione che il prodotto sia rispedito franco fabbrica unitamente a una prova di acquisto valida. Le riparazioni in garanzia devono essere effettuate esclusivamente dal fornitore.

Non si riconosce alcuna garanzia per guasti causati da errori di installazione o di azionamento. I guasti causati da una manutenzione insufficiente non sono coperti da garanzia. Il fornitore declina ogni responsabilità per i danni causati da un uso errato del prodotto. Il fornitore non può essere considerato responsabile dei danni conseguenti al mancato funzionamento dell'apparecchio. I reclami basati sui danni durante il trasporto possono essere accettati soltanto a condizione che il danno sia stato constatato o confermato al momento della consegna dal trasportatore o dall'addetto alla consegna postale. Soltanto in questo caso è possibile rivalersi sul trasportatore o sul servizio postale.

Leia atentamente as instruções de uso antes de instalar este aparelho.

Funcionamento

A lâmpada especial UV da Philips provoca uma radiação UV-C com um comprimento de onda de 253,7 nm no Blue Lagoon UV-C Timer, que se encarrega de eliminar bactérias (como a que provoca a doença do legionário). O Blue Lagoon UV-C Timer proporciona de maneira eficiente e amiga do ambiente água limpa, fresca e clara. A água é transportada por meio de uma bomba pelo interior do aparelho UV-C. A radiação UV-C neutraliza as bactérias, vírus e outros organismos primitivos e trava a sua reprodução. O Blue Lagoon UV-C Timer contém um balastro electrónico de alta frequência. Este balastro absorve as variações de corrente e protege desse modo a lâmpada. Além disso o aparelho contém um contador de horas integrado que regista com precisão o número de horas de iluminação. Assim pode ver exactamente quando a lâmpada tem de ser substituída. Além disso o interior de aço inoxidável com efeito de reflexão da radiação de UV-C garante um melhoramento da eficiência que pode chegar até aos 35%. Graças ao Blue Lagoon UV-C Timer a sua água é desinfectada de uma maneira eficiente e segura mantendo uma qualidade excelente.

Vantagens de tratamento com UV-C:

- Proporciona água limpa, fresca e límpida
- Desinfecta a água de maneira eficiente e segura
- Luz UV-C degrada compostos de cloro
- Protege a piscina contra agentes patogénicos
- Controla a formação de fungos, bactérias e algas
- Torna possível a redução de cloro e outros químicos até 80%
- Evita o cheiro a cloro e irritação da pele e dos olhos (olhos vermelhos)
- Amigo do ambiente quando comparado com métodos tradicionais

Vantagens do Blue Lagoon UV-C Timer:

- Balastro electrónico incorporado, que garante uma alimentação regular de corrente.
- Produção extra de UV-C até 35% por reflexão
- Tem uma lâmpada UV-C Philips com uma vida útil de 9000 horas
- Contador de horas ajustável integrado para a lâmpada UV-C
- Indicação digital de quando a lâmpada deve ser substituída
- Caixa de aço inoxidável 316L
- Instalação e manutenção simples
- 2 anos de garantia sobre falhas de fabrico
- Tem ligação terra
- Conexões reductoras de Ø 63mm para Ø 50mm incluídas

Segurança

Este aparelho provoca radiação prejudicial. O contacto directo pode ser perigoso para os olhos e a pele. Controle o funcionamento da lâmpada UV-C exclusivamente através das partes transparentes da unidade.

- Desligue o aparelho da corrente eléctrica sempre que efectue operações de manutenção ou reparações. Nunca retire ou coloque a ficha na tomada se estiver dentro de uma poça de água ou tenha as mãos molhadas.
- Mantenha as crianças afastadas deste aparelho e cabo de alimentação.
- O cabo de alimentação não é substituível. No caso de apresentar danos deve-se substituir a parte eléctrica por inteiro. Não substitua nunca a ficha e mantenha a parte eléctrica intacta. Uma parte eléctrica sem a ficha original fica excluída da garantia.
- Não instale o aparelho em local exposto à radiação solar.
- Certifique-se que a água corre continuamente pela unidade quando a lâmpada está acesa.
- A lâmpada permanece quente pelo menos ainda 10 minutos após ter sido desligada.
- No caso de deterioração das peças (sobretudo no vidro de quartzo), não utilizar o aparelho.
- Havendo o perigo de congelamento durante os meses de Inverno, deve desmontar o aparelho.
- A armação INOX do aparelho não pode ser utilizada em piscinas de água salgada com uma alta concentração de sal. Com uma concentração alta de sal o aço oxida o que leva a uma deterioração irreparável da armação.
- Este produto deve ser utilizado exclusivamente segundo as instruções constantes deste manual.

Instalação do cabo terra (Desenho 1)

- 1 Antes de montar o protector sintético (F) no parafuso terra (A), tem de passar primeiro o cabo (B) pelo protector (F). Coloque o protector (F) a cerca de 10cm de distância do olhal (H) do cabo terra (B).
- 2 Coloque o olhal (H) do cabo (B) sobre o parafuso terra (A) que está fixado à armação.
- 3 Coloque seguidamente a anilha recartilhada (C), a porca sextavada (D) e novamente uma anilha recartilhada (E) sobre o olhal (H).
- 4 Fixe o protector (F) por cima de modo a que surja um arco de Ø 5cm.
- 5 Por fim monte a contra porca (G) em cima do parafuso terra (A).
- 6 Se as diversas porcas foram colocadas na ordem exacta no parafuso terra (A), esta pode depois com uma chave de bocas ou de sextavado interior número 8, ser apertada. Contudo cuidado para não apertar demais para não rachar o protector sintético. (A porca transparente enroscada no parafuso terra (A) dentro da embalagem, não tem qualquer serventia e pode ser deixada fora).

Instalação do aparelho (Desenho 2)

Não instale nunca o Blue Lagoon UV-C Timer directamente a seguir ao regulador de PH ou sistema de electrólise de sal da sua piscina. O melhor local para instalar o aparelho é imediatamente a seguir ao filtro. Não mergulhe nunca o aparelho na água. Fazer a instalação sempre fora da piscina. Faça com que corra sempre água pela unidade quando a lâmpada está acesa.

- 1 Determine a posição desejada para instalar o aparelho. Deixe o suficiente espaço livre (+/- 1m) para substituição ou manutenção da lâmpada (K)/ vidro de quartzo (M).
- 2 Monte as braçadeiras de tubos fornecidas (O) num lugar fixo, fixe a unidade às braçadeiras e aperte as três ligações (I). Tome especial atenção à posição correcta das juntas vedantes (P) tanto nas ligações como no vidro de quartzo (**veja-se desenho 2**).
- 3 Monte a unidade por meio da união de três peças (I) no circuito. A entrada e saída da união de três peças é de Ø 63 mm. No caso da tubagem ter um diâmetro inferior a 63 mm, pode utilizar a conexão redutora de (Ø 63 x Ø 50 mm) (T). Neste caso deve colar a conexão redutora à união de três peças (I). No interior da conexão redutora (T) existe num dos lados uma rosca de modo a facilitar a ligação a um eventual adaptador com anilha vedante (não fornecidos). Os conjuntos de conexões redutores pode adquiri-los junto do seu fornecedor (artigo número B290020).
- 4 Desenrosque a rosca de anel (N) da armação (U). Retire a lâmpada UV-C (K) de dentro do tubo protector (veja-se embalagem) e introduza-a com cuidado no vidro de quartzo (M). Encaixe com cuidado a lâmpada UV-C (K) no suporte branco de lâmpada (L) e enrosque com a mão a seguir a rosca de anel (N) na armação (U).
- 5 Ponha a bomba a funcionar e controle o sistema quanto à passagem de água e existência de fugas
- 6 Ligue a ficha do aparelho UV-C a uma tomada com ligação terra e equipada com interruptor diferencial de corrente residual. Controle através das partes transparentes do aparelho se a lâmpada se acende. Só desligando a ficha da tomada se desliga completamente o aparelho.

Instruções de uso do contador de horas digital

Ao ligar o Blue Lagoon UV-C Timer o programa inicia um controle a si próprio. O visor dá as seguintes indicações consecutivas e automáticas: 8888 (display test) ; r e número de versão de software ; Indicação de rede de frequência 50H ou 60H
Seguidamente o visor mostra o número no contador.

Quando é a primeira vez que liga a lâmpada UV-C ou após fazer um “reset” (“reiniciação”), aparece o número 4500 no visor. Junto ao dígito mais à direita pisca a cada segundo um ponto que é o indicador de que o contador está ligado. O visor marca o número de contagem introduzido a partir da fábrica de 4500 horas. Até às 4500 horas a lâmpada UV-C origina a sua radiação a 100%. Depois das 4500 horas a radiação fica mais fraca e pode tornar-se insuficiente para atingir os resultados pretendidos.

No caso de utilizar há mais tempo a lâmpada UV-C e esta já ter estado ligada então o visor irá visualizar o número anteriormente registado antes de desligar a lâmpada UV-C. No caso de você próprio ter alterado para cima ou para baixo o número de horas no contador então o visor vai o mostrar o último número registado antes de ter sido desligado.

Caso assim o pretenda, pode alterar o registo do contador de horas. Para tal deve agir do modo seguinte:

Carregue durante mais de 5 segundos o botão (R) por baixo do visor. O visor mostra agora “rSt” que indica que foi seleccionado o menu de utilizador. Após libertar o botão (R) começam a piscar à vez o numero registado e o “rSt” no visor. Um toque curto de cada vez no botão levamos a percorrer várias possibilidades num menu. Há 3 possibilidades de escolha no menu: “rSt”, “UP” e “dn”.

- **"rSt"** significa (reset): com esta função o contador volta ao ajuste de fábrica de 4500 horas.

Esta escolha é confirmada pelo piscar à vez do número registado e o "rSt". Se pretender mesmo fazer o "reset" carregue o botão (R) durante mais de 5 segundos, o visor volta a registar 4500, liberte depois o botão e a partir de agora o contador começa a contagem por ordem regressiva a partir das 4500 horas. Esta função pode ser utilizada quando substituiu a lâmpada ou quando você próprio tenha alterado o número de horas e desejar voltar a ajustá-lo ao valor de fábrica.

- **"UP"** significa (up): esta função permite aumentar o número de horas para o valor desejado.

Esta escolha é confirmada pelo piscar à vez do ajuste do utilizador "UP" e do número registado. Para continuar nesta função deve carregar durante mais de 5 segundos o botão (R). Após os 5 segundos aparece no visor só "UP". Liberte agora o botão.

Com um toque curto cada vez no botão o contador passa do valor de fábrica de 4500 a subir em etapas de 500 de cada vez até um valor máximo de 9999. O novo valor aumentado pisca à vez com "UP" no visor.

Caso tenha seleccionado o número de horas desejado, espere agora 10 segundos. Após os 10 segundos o número de horas seleccionado aparece no visor e inicia-se a contagem regressiva no contador.

Se verificar que se enganou durante esta operação do aumento de horas, pode facilmente reajustar o contador para as 4500 horas carregando durante mais de 5 segundos no botão. Neste caso o valor no contador foi reiniciado para 4500 e pode seguidamente ser introduzido um novo valor.

- **"dn"** significa (down): esta função permite diminuir o número de horas para o valor desejado.

Esta escolha é confirmada pelo piscar à vez do ajuste do utilizador "dn" e do número registado. Para continuar nesta função deve carregar durante mais de 5 segundos o botão (R). Após os 5 segundos aparece no visor só "dn". Liberte agora o botão.

Com um toque curto cada vez no botão o contador passa do valor de fábrica de 4500 a descer em etapas de 500 de cada vez até um valor mínimo de 0000. O novo valor reduzido pisca à vez com "dn" no visor.

Caso tenha seleccionado o número de horas desejado, espere agora 10 segundos. Após os 10 segundos o número de horas seleccionado aparece no visor e inicia-se a contagem regressiva no contador.

Se verificar que se enganou durante esta operação da redução de horas, pode facilmente reajustar o contador para as 4500 horas carregando durante mais de 5 segundos no botão. Neste caso o valor no contador foi reiniciado para 4500 e pode seguidamente ser introduzido um novo valor.

O contador de horas alerta para a substituição da lâmpada do modo seguinte:

- A partir do número 0672; o visor pisca uma vez por segundo. A lâmpada tem de ser substituída dentro de 4 semanas.
- A partir do número 0336; o visor pisca duas vezes por segundo. A lâmpada tem de ser substituída dentro de 2 semanas.
- A partir do número 0168; o visor pisca quatro vezes por segundo. A lâmpada tem de ser substituída dentro de 1 semana.
- Com um número de horas de 0000; os dígitos piscam rapidamente e o contador deixa de contar. A lâmpada tem de ser imediatamente substituída.

Desmontagem / Manutenção

Nas tarefas de manutenção/desmontagem desligue sempre o aparelho da corrente.

O aparelho deve ser limpo duas vezes por ano. Quando algas ou calcificação aumentem, deve-se proceder à limpeza do tubo de vidro de quartzo (M) onde se encontra a lâmpada. A lâmpada tem de ser substituída após um máximo de 9.000 horas de utilização. O interior em INOX pode ser limpo com a utilização duma escova macia.

1 Desaperte as três ligações (I) e deixe escorrer a água do aparelho.

2 Desenrosque a rosca de anel (N) e desencaixe a lâmpada (K) do suporte (L). Retire a lâmpada do vidro de quartzo e substitua se necessário a lâmpada especial (K). É necessário um cuidado extremo por se tratar de material muito frágil.

3 Retire o vidro de quartzo (M) com cuidado utilizando para tal uma chave de fendas (**veja-se desenho 3**). Não force nunca!

4 Limpe o vidro de quartzo com um produto adequado. Utilize sempre um pano macio na limpeza do vidro, evite riscos.

5 Ao recolocar o vidro na caixa tome atenção à posição das 3 juntas vedantes (P) e faça deslizar a ponta do vidro de quartzo com cuidado no bloco de apoio (Q) (**veja-se desenho 4**). Não force nada!

6 Volte a colocar com cuidado a lâmpada no vidro de quartzo e encaixe a lâmpada (K) ao suporte (L). Volte a enroskar a rosca de anel (N) na armação.

- 7 A parte eléctrica do aparelho encontra-se na caixa do visor (**S**) por cima do aparelho. Esta caixa foi colada e não se pode abrir. Se houver necessidade de substituir a parte eléctrica ou o visor deve desaparafusar-se a caixa por inteiro e desaparafusar as ligações eléctricas (**desenho 1**). Desenrosque a rosca de anel (**N**) e separe com cuidado a lâmpada do suporte de lâmpada. Tome atenção e guarde as variadas peças soltas como são as da ligação terra. Estas não são fornecidas com a armação ou parte eléctrica novas. Se eventualmente tiver dúvidas sobre as ligações deverá consultar o electricista profissional.
- 8 No caso de necessitar de substituir a armação, tem de tirar primeiro a ligação terra (**J**) e a parte eléctrica com o visor (**S**) da armação (**U**) (**veja-se desenhos 1 & 2**). Desaparafuse a parte eléctrica com o visor (**S**) e o suporte de lâmpada da armação. Desenrosque a tampa (**N**) e separe o casquilho da lâmpada com cuidado. Tome atenção e guarde as peças da ligação terra. Estas não são fornecidas com a armação ou parte eléctrica novas. Retire da armação a lâmpada (**K**) e o vidro de quartzo (**M**) para evitar quebra durante o transporte. Se eventualmente tiver dúvidas sobre as ligações deverá consultar o electricista profissional.

Especificações Técnicas	40.000 L	75.000 L
• Lâmpada Philips TUV T5	40 Watt	75 Watt
• UV-C (W) output	15 Watt	25 Watt
• UV-C (%) após 4.500 horas	85%	80%
• UV-C (%) após 9.000 horas	0%	0%
• Capacidade piscina (L.)	40.000 L	75.000 L
• Deslocação máxima	20.000 l/h	25.000 l/h
• Pressão máxima	3 bar	3 bar
• Temperatura máxima	35°C	35°C
• Temperatura mínima	0°C	0°C
• Ligação	Ø63mm/Ø50mm	Ø63mm/Ø50mm
• Comprimento aparelho	100cm	100cm

Tipos de sistemas UV-C

Artigo número: B210002 Blue Lagoon UV-C Timer 40.000L / 40 Watt (230V; 50/60Hz)

Artigo número: B210003 Blue Lagoon UV-C Timer 75.000L / 75 Watt (230V; 50/60Hz)

Lâmpadas de substituição

Artigo número: E800901 Philips Lamp tipo TUV 36T5 4P-SE (40 Watt)

Artigo número: E800902 Philips Lamp tipo TUV 36T5 HO 4P-SE (75 Watt)

Condições de garantia

Este produto é garantido durante 24 meses contra falhas de fabrico. A lâmpada e o vidro de quartzo não são abrangidos por esta garantia. Os casos de garantia são apenas tratados quando o produto for enviado sem custos de transporte e acompanhado da nota de aquisição válida. Reparações dentro da garantia só podem ser executadas pelo fornecedor. A garantia não é reconhecida nos casos em que houve erros de instalação ou de manuseamento. Defeitos decorrentes de manutenção deficiente não são abrangidos pela garantia. O fornecedor não pode ser responsabilizado pelos prejuízos causados por uma falha do aparelho ou utilização errónea do aparelho. Reclamações que se referem a estragos motivados por transporte só são aceites quando os estragos no momento da entrega pelo expedidor ou correios foram pelos próprios constatados ou confirmados. Só nestes casos é possível, apresentar reclamações perante o expedidor ou correios.

Brugsanvisningen skal gennemlæses omhyggeligt, før apparatet installeres.

Funktion

I Blue Lagoon UV-C Timeren genereres der UV-C stråling med en bølgelængde på 253,7 nm af den specielle Philips UV lampe, som dræber bakterier (bl.a. legionellabakterier). Blue Lagoon UV-C Timeren sørger på en miljøvenlig måde for rent, frisk og klart vand. Vandet pumpes til UV-C apparatet af en pumpe. UV-C strålingen neutraliserer bakterier, virusser og primitive organismer og forhindrer formeringen af dem. Blue Lagoon UV-C Timeren har en indbygget, højfrekvent, elektronisk forkoblingsenhed. Denne forkoblingsenhed udjævner strømudsving og beskytter dermed lampen. Apparatet har også en integreret timetæller, som præcist registrerer antallet af brændetimer. Du ved derfor nøjagtigt, hvornår lampen skal udskiftes. Ydermere reflekterer indersiden af rustfrit stål UV-C lyset, således at effektiviteten øges med op til 35%. Takket være Blue Lagoon UV-C Timeren bliver vandet i bassinet desiniceret på en effektiv og sikker måde, således at vandkvaliteten altid er i top.

Fordele ved UV-C behandling:

- Sørger for frisk, rent og klart vand
- Desinficerer vandet på en effektiv og sikker måde
- UV-C lys nedbryder bundet klor
- Beskytter bassinet mod sygdomskim
- Holder skimmel-, bakterie- og algevækst under kontrol
- Kan reducere brugen af klor og andre kemikalier med op til 80%
- Hindrer klørugt og irritation af huden og øjnene (røde øjne)
- Bedre for miljøet, sammenlignet med traditionelle metoder

Fordele ved Blue Lagoon UV-C Timer:

- Indbygget elektronisk forkoblingsenhed for stabil strømforsyning.
- Op til 35% mere UV-C bestråling takket være reflektering
- Philips UV-C lampe med 9.000 brændetimer
- Integreret indstillelig timetæller til UV-C lampen
- Viser digitalt, hvornår lampen skal udskiftes
- Kabinet af 316L rustfrit stål
- Ukompliceret installation og vedligeholdelse
- 2 års garanti på fabrikationsfejl
- Er jordet
- Reduktionsstykker Ø 63mm til Ø 50mm medfølger

Sikkerhed

Dette apparat producerer skadelige stråler. Direkte kontakt kan være skadelig for øjne og hud.

UV-C lampens funktion må derfor kun kontrolleres via de gennemsigtige dele.

- Tag altid stikket ud af stikkontakten, før der udføres vedligeholdelse eller reparation af apparatet. Tag ikke stikket ud af stikkontakten og sæt det ikke i, hvis du står i en vandpyt eller har våde hænder.
- Hold børn væk fra apparatet og ledningen.
- Ledningen til apparatet kan ikke udskiftes. Hvis ledningen beskadiges, skal hele den elektriske del udskiftes. Tag ikke stikket ud men lad den elektriske del være intakt. En elektrisk del med stikket klippet af dækkes ikke af garantien.
- Apparatet må ikke anbringes i direkte sollys.
- Sørg for, at der altid strømmer vand gennem enheden, når lampen er tændt.
- Lampen vil være varm ca. 10 minutter efter, apparatet er blevet slukket.
- Hvis dele beskadiges (især kvartsglasset), må apparatet ikke bruges.
- Hvis der er risiko for frost om vinteren, skal apparatet tages ind.
- Kabinettet af rustfrit stål er uegnet til saltvandsbassiner med et højt indhold af salt. Er indholdet af salt for højt, oxiderer stålet, så kabinettet beskadiges.
- Dette produkt er udelukkende beregnet til at blive brugt i henhold til vejledningen i denne brugsanvisning.

Montering af jording (Tegning 1)

- 1 Før trækafastningen (F) monteres på jordingsbolten (A), skal kablet (B) først trækkes gennem trækafastningen (F). Anbring trækafastningen (F) ca. 10 cm fra øjet (H) på jordingskablet (B).
- 2 Sæt øjet (H) på kablet (B) over jordingsbolten (A), som sidder på selve kabinettet.
- 3 Sæt derefter en stjernefjederskive (C), sekskantmøtrik (D) og igen en stjernefjederskive (E) på øjet (H).
- 4 Fastgør trækafastningen (F) ovenpå, så der er en sløffe med \varnothing 5 cm.
- 5 Til sidst skrues låsemøtrikken (G) på jordingsbolten (A).
- 6 Når de forskellige ting er sat på jordingsbolten (A) i den rigtige rækkefølge, kan møtrikken (G) strammes til med en gaffel- eller ringnøgle nummer 8. Trækafastningen kan revne, hvis møtrikken strammes for meget til.
(Den gennemsigtige møtrik, som ved levering er skruet på bolten (A), har ikke nogen funktion og kan smides væk).

Installation af apparatet (Tegning 2)

Installer ikke Blue Lagoon UV-C Timeren umiddelbart efter pH-regulatoren eller salt-elektrolysesystemet i bassininstallationen. Det er bedst at montere apparatet umiddelbart efter filteret. Dette apparat må ikke nedsænkes i vand. Skal altid anbringes uden for bassinet. Sørg for, at der altid strømmer vand gennem apparatet, når lampen er tændt.

- 1 Bestem, hvor apparatet skal placeres. Sørg for, at der er tilstrækkelig plads (ca. 1 meter) til, at lampen (K) / kvartsglasset (M) kan tages af i forbindelse med udskiftning og/eller vedligeholdelse.
- 2 Monter de medfølgende rørklemmer (O) på et fast sted, fastgør apparatet i rørklemmerne og stram den tre-delte kobling (I) til. Vær opmærksom på, at tætningsringene (P) sidder rigtigt, både ved tilslutningerne og kvartsglasset (se tegning 2).
- 3 Monter enheden i kredsløbet ved hjælp af den tre-delte kobling (I). Ind- og udgang på den tredelte kobling er \varnothing 63 mm. Hvis rørene er mindre end \varnothing 63 mm, kan der bruges et reduktionsstykke (\varnothing 63 x \varnothing 50 mm) (T). Dette reduktionsstykke skal limes på den tredelte kobling (I). Indvendigt i reduktionsstykket (T) er der i den ene ende et gevind, så man eventuelt kan montere en reduktionsstuds med pakning (ikke inkluderet). Sæt med reduktionsstykker kan købes hos forhandleren (artikelnummer B290020).
- 4 Skru skrudedækslet (N) af kabinettet (U). Tag UV-C lampen (K) ud af hylsteret (se emballage) og sæt forsigtigt lampen i kvartsglasset (M). Sæt forsigtigt den hvide lampeholder (L) på UV-C lampen (K) og stram med hånden skrudedækslet (N) til på kabinettet (U).
- 5 Start pumpen og kontroller systemet for gennemstrømning og lækage.
- 6 Sæt stikket til UV-C apparatet i en stikkontakt med jording og tilkoblet hfi-relæ. Kontroller gennem de gennemsigtige dele, om lampen lyser. Apparatet slukkes ved at tage stikket ud af stikkontakten.

Brugsanvisning til digital timetæller

Når der er blevet tændt for Blue Lagoon UV-C Timeren, begynder programmet en selvtest. I displayet vises følgende indikationer efter hinanden: 8888 (displaytest); r og softwarens versionsnummer; 50H eller 60H indikerer netfrekvensen
Derefter vises timetælleren.

Når UV-C lampen tændes første gang, eller efter "reset" funktionen har været brugt, vises værdien 4500 i displayet. Ved cifret længst til højre i displayet blinker hvert sekund et punktum, som angiver, at timetælleren går.

Displayet står automatisk på 4500 timer, som er indstillet fra fabrikken. Op til 4500 timer yder UV-C lampen 100% effektiv stråling. Efter 4500 timer bliver strålingen svagere, således at man ikke opnår det ønskede resultat.

Hvis UV-C lampen har været brugt i længere tid, og den allerede tidligere har været tændt, viser displayet det antal timer, som timetælleren stod på, da UV-C lampen blev slukket. Hvis du selv har øget eller mindsket timetælleren's timal, vises det sidste timal, før der blev slukket. Timetælleren's indstillinger kan ændres, hvis man ønsker det. Det gøres på følgende måde:

Når afbryderen (R) under displayet har været holdt inde i 5 sekunder, vises "rSt" i displayet, og det betyder, at brugermenuen er valgt. Når afbryderen (R) slippes, blinker timetallet og "rSt" skiftevis i displayet. Hvis der nu trykkes ganske kort på afbryderen, vises menuens valgmuligheder efter hinanden. Der er 3 indstillingsmuligheder i menuen, "rSt" "UP" og "dn".

- "rSt" betyder (reset): hermed stilles timetælleren tilbage til fabriksindstillingen på 4500 timer.

Dette valg bekræftes ved at timetallet og "rSt" blinker skiftevis i displayet. Når afbryderen (R) holdes inde i 5 sekunder, vises timetallet 4500, og hvis du så slipper afbryderen, begynder timetælleren at tælle ned fra 4500 timer. Denne valgmulighed kan du bruge, når lampen for eksempel er blevet udskiftet, eller hvis du selv har ændret timetallet og vil sætte det tilbage til fabriksindstillingen.

- **"UP"** betyder 'up' (op): hermed kan timetallet øges, hvis det ønskes.

Dette valg bekræftes ved at den valgte brugerindstilling "UP" og timetallet blinker skiftevis i displayet. Derefter skal afbryderen (R) holdes inde i 5 sekunder. Efter 5 sekunder står der kun "UP" i displayet. Derefter skal afbryderen slippes.

Ved kort at trykke på afbryderen kan timetallet fra 4500 i trin på 500 timer øges til maksimalt 9999. Det øgede timetal og "UP" blinker skiftevis i displayet.

Når du har valgt det ønskede timetal, venter du 10 sekunder. Efter 10 sekunder vises det ønskede timetal i displayet, og timeren begynder at tælle ned.

Hvis du for eksempel har lavet en fejl, mens du øgede timetallet, kan du igen sætte tælleren på 4500 ved at holde afbryderen inde i 5 sekunder. Tælleren er sat tilbage på 4500, og der kan indstilles en ny værdi.

- **"dn"** betyder 'down' (ned): hermed kan timetallet mindskes, hvis det ønskes.

Dette valg bekræftes ved at den valgte brugerindstilling "dn" og timetallet blinker skiftevis i displayet. Derefter skal afbryderen (R) holdes inde i 5 sekunder. Efter 5 sekunder står der kun "dn" i displayet. Derefter skal afbryderen slippes.

Ved kort at trykke på afbryderen kan timetallet fra 4500 i trin på 500 timer mindskes til minimalt 0000. Det mindskede timetal og "dn" blinker skiftevis i displayet.

Når du har valgt det ønskede timetal, venter du 10 sekunder. Efter 10 sekunder vises det ønskede timetal i displayet, og timeren begynder at tælle ned.

Hvis du for eksempel har lavet en fejl, mens du mindskede timetallet, kan du igen sætte tælleren på 4500 ved at holde afbryderen inde i 5 sekunder. Tælleren er sat tilbage på 4500, og der kan indstilles en ny værdi.

Når lampen skal udskiftes, angiver timetælleren det på følgende måde:

- Fra timetal 0672; display blinker hvert sekund. Lampen skal udskiftes om 4 uger.
- Fra timetal 0336; displayet blinker hvert halve sekund; Lampen skal udskiftes om 2 uger.
- Fra timetal 0168; displayet blinker hvert ¼ sekund; Lampen skal udskiftes om 1 uge.
- Ved timetal 0000; cifrene bliver ved med at blinke hurtigt, og tælleren kan ikke længere tælle ned. Lampen skal udskiftes.

Demontage/vedligeholdelse

Strømmen skal afbrydes, når der udføres vedligeholdelse/demontage!

Apparatet skal rengøres 2 gange om året. Hvis algevæksten og/eller kalkaf sætningen øges, skal kvartsglasrøret (M) med lampen rengøres.

Den specielle lampe skal udskiftes efter senest 9.000 timer. Det indvendige af rustfrit stål rengøres med en blød børste.

1 Løsn den tre-delte kobling (I) og lad vandet løbe ud af apparatet.

2 Løsn skruedækslet (N) og løsn lampen (K) fra lampeholderen (L). Tag lampen ud af kvartsglasset og udskift om nødvendigt lampen (K).

Man skal være meget forsigtig, for delene er meget skrøbelige.

3 Kvarsglasset (M) tages forsigtigt af med en stor, flad skrueetrækker (**se tegning 3**). Brug ikke magt!

4 Rengør kvartsglasset med et egnet middel. Brug altid en blød klud for at rengøre glasset, undgå at lave ridser.

5 Når kvartsglasset sættes i igen, skal man sørge for, at de 3 tætningsringe (P) sidder rigtigt; sæt derefter enden af kvartsglasset forsigtigt i holderen (Q) i bunden (**se tegning 4**). Brug ikke magt!

6 Sæt forsigtigt lampen i kvartsglasset og sæt lampen (K) i lampeholderen (L). Skru skruedækslet (N) på kabinettet igen.

7 Apparatets elektriske del sidder i displayboksen (S) på apparatet. Denne displayboks er limet sammen og kan ikke åbnes. Ved udskiftning af den elektriske del eller displayet skal hele boksen skrues løs, og ledningerne til apparatet skal afmonteres (**se tegning 1**). Løsn skruedækslet (N) og løsgør forsigtigt lampeholderen fra lampen. Pas på, at de forskellige dele til jording osv. ikke bliver væk. De følger nemlig ikke med nyt kabinet eller elektrisk del. Er man i tvivl om den elektriske tilslutning, bør man kontakte en autoriseret elinstallatør.

8 Hvis kabinettet skal udskiftes, skal jordingen (J) og den elektriske del med display (S) først tages af kabinettet (U) (**se tegning 1 & 2**). Skru den elektriske del med display (S) og lampeholderen af kabinettet. Pas på, at de forskellige dele til jordingen ikke bliver væk. De følger nemlig ikke med et nyt kabinet. Tag lampen (K) og kvartsglasset (M) ud af kabinettet, så de ikke beskadiges under transport. Er man i tvivl om den elektriske tilslutning, bør man kontakte en autoriseret elinstallatør.

Tekniske specifikationer	40.000 L	75.000 L
• Lampe Philips TUV T5	40 Watt	75 Watt
• UV-C effekt (W)	15 Watt	25 Watt
• UV-C (%) efter 4.500 timer	85%	80%
• UV-C (%) efter 9.000 timer	0%	0%
• Bassinindhold (L.)	40.000 L	75.000 L
• Max. gennemstrømning	20.000 l/t	25.000 l/t
• Max. tryk	3 bar	3 bar
• Max. temperatur	35°C	35°C
• Min. temperatur	0°C	0°C
• Tilkobling	Ø 63 mm/Ø 50 mm	Ø 63 mm/Ø 50 mm
• Længde apparat	100 cm	100 cm

Type UV-C systemer

Artikelnummer: B210002 Blue Lagoon UV-C Timer 40.000 L / 40 Watt (230 V; 50/60 Hz)

Artikelnummer: B210003 Blue Lagoon UV-C Timer 75.000 L / 75 Watt (230 V; 50/60 Hz)

UV-C Lamper

Artikelnummer: E800901 Philips Lampe type TUV 36T5 4P-SE (40 Watt)

Artikelnummer: E800902 Philips Lampe type TUV 36T5 HO 4P-SE (75 Watt)

Garantibetingelser

Produktet leveres med 24 måneders garanti på fabriktionsfejl, regnet fra købsdatoen. Brud på lampen og kvartsglasset dækkes ikke af garantien. Garantikrav behandles kun, hvis produktet tilbagesendes franko og vedlagt en gyldig kvittering. Garantireparationer må kun udføres af leverandøren.

Garantien dækker ikke fejl, forårsaget af forkert installation eller betjening. Defekter, der skyldes mangelfuld vedligeholdelse, dækkes heller ikke af garantien. Leverandøren kan ikke på nogen måde drages til ansvar for skade som følge af forkert brug af produktet. Leverandøren kan ikke drages til ansvar for følgeskader, som skyldes svigt af apparatet. Reklamationer på grund af transportskader accepteres kun, hvis skaden ved levering er konstateret og bekræftet af speditøren eller postvæsnet. Kun da er det muligt at gøre krav gældende over for speditør eller postvæsnet.

Läs denna bruksanvisning noggrant innan du installerar apparaten.

Funktion

I Blue Lagoon UV-C Timer genereras UV-C-strålning med en våglängd på 253,7 nanometer av en speciell Philips UV-lampa som har bakteriedödande verkan (gäller bl.a. legionellabakterier). Blue Lagoon UV-C Timer ger rent, fräscht och klart vatten på ett effektivt och miljövänligt sätt. Vattnet förs genom UV-C-apparaten av en pump. UV-C-strålningen neutraliserar bakterier, virus och andra primitiva organismer och hindrar dem från att fortplantas. Blue Lagoon UV-C Timer har en inbyggd högfrekvent elektronisk ballast. Denna ballast absorberar spänningsfall och skyddar på så sätt lampan. Apparaten innehåller också en integrerad timräknare som noggrant registrerar antalet timmar som den är i bruk. Du kan alltså exakt se när lampan behöver bytas ut. Dessutom reflekteras UV-C-ljuset på insidan som är av rostfritt stål, vilket gör att effektiviteten ökar med upp till 35%. Tack vare Blue Lagoon UV-C Timer så kommer vattnet i din pool/bassäng att desinficeras på ett effektivt och säkert sätt och en utmärkt vattenkvalitet bibehållas.

Fördelar med UV-C-behandling:

- Ger fräscht, rent och klart vatten.
- Desinficerar vattnet på ett effektivt och säkert sätt.
- UV-C-ljuset bryter ned bundet klor.
- Skyddar din pool mot sjukdomsalstrande organismer.
- Håller tillväxten av mögel, bakterier och alger under kontroll.
- Kan minska användningen av klor och andra kemikalier med upp till 80%
- Förhindrar klorlukt samt irriterad hud och röda ögon.
- Bättre för miljön än traditionella metoder.

Fördelar me Blue Lagoon UV-C Timer:

- Inbyggd elektroniskt förkopplingsdon för jämn strömförsörjning.
- Upp till 35% mer UV-C-strålning tack vare reflekterande verkan.
- Philips UV-C-lampa med livslängd på 9000 timmar.
- Integrerad inställningsbar timräknare till UV-C-lampan.
- Anger digitalt när lampan måste bytas ut.
- 316 liters hölje av rostfritt stål
- Enkel installation och underhåll.
- 2 års garanti på tillverkningsfel.
- Jordad.
- Skarvdelar till Ø 63mm - Ø 50mm ingår.

Säkerhet

Apparaten producerar skadlig strålning. Direktkontakt kan vara skadligt för ögon och hud.

UV-lampans funktion får därför endast kontrolleras via apparatens genomskinliga delar.

- Dra alltid ur kontakten ur eluttaget innan underhålls- eller reparationsverksamheter utförs på apparaten. Sätt aldrig i eller dra ur kontakten om du står i en pool med vatten eller är våt om händerna är våta.
- Se till att apparaten och sladden befinner sig utom räckhåll för barn.
- Apparaten kabel kan inte bytas ut. Om kabeln är skadad måste hela den elektriska delen bytas ut. Avlägsna aldrig kontakten, låt den elektriska delen vara intakt. En eld med avklippt kontakt täcks inte av garantin.
- Placera aldrig apparaten direkt i solen
- Se till att det alltid rinner vatten genom apparaten när lampan är på.
- När apparaten har stängts av fortsätter lampan att vara varm i cirka 10 minuter.
- Om en del av apparaten är skadad (i synnerhet kvartsglasat) får apparaten inte användas.
- Om det finns risk för att apparaten kan frysa till på vintern ska den tas bort.
- Höljet av rostfritt stål är inte lämpligt för saltvattensbassänger med hög salthalt. Vid höga salthalter oxiderar stålet och höljet skadas. Placera apparaten alltid direkt efter filtret.
- Denna produkt får endast användas enligt de anvisningar som ges i denna bruksanvisning.

Installera jordningen (Illustration 1)

- 1 Innan låssprinten av plast (F) monteras på jordningsbulten (A) ska kabeln (B) föras genom låssprinten (F). Placera låssprinten (F) cirka 10cm från ringen (H) på jordningskabeln (B).
- 2 Placera kabelns (B) ring (H) över jordningsbulten (A) som är fäst på höljet.
- 3 Trä sedan på en låsbricka (C), sexkantig låsmutter (D) och ännu en låsbricka (E) på ringen (H).
- 4 Sätt på låssprinten (F) ovanpå så att det uppstår en ögla på \varnothing 5cm.
- 5 Fäst till sist låsmuttern (G) på jordningsbulten (A).
- 6 Om de olika skruvarna har fästs i rätt ordning på jordningsbulten (A) kan den nu dras åt med en (skift)nyckel nummer 8. Se till att bulten inte dras åt för hårt, då kan låssprinten skadas.
(Den genomskinliga muttern som vid leveransen skruvats fast på jordningsbulten (A) har inte längre någon funktion och kan kastas bort.)

Installera apparaten (Illustration 2)

Installera aldrig din Blue Lagoon UV-C Timer direkt efter pH-regleraren eller saltelektrolyssystemet i din simbassäng/pool. Det bästa stället att installera apparaten på är direkt efter filtret. Sänk aldrig ned apparaten i vatten. Installera den alltid utanför poolen. Se till att det alltid rinner vatten genom apparaten när lampan är på.

- 1 Bestäm var du vill placera apparaten. Se till att det finns tillräckligt med utrymme (ca 1 meter) kvar för att ta loss lampan (K) / kvartsglasat (M) vid byte och/eller underhåll.
- 2 Montera de bifogade rörlämnarna (O) på en fast plats, fäst apparaten i rörlämnarna och vrid fast den tredelade kopplingen (I). Se till att tätningsringarna (P) sitter på rätt plats, både vid kopplingarna och vid kvartsglasat (se ill. 2).
- 3 Montera apparaten i systemet med hjälp av den tredelade kopplingen (I). In- och utgångarna till den tredelade kopplingen är \varnothing 63 mm. Om ledningarna är mindre än 63 mm kan du använda skarvdelen (\varnothing 63 x \varnothing 50 mm) (T). Skarvdelen ska limmas fast på den tredelade kopplingen (I). Insidan av skarvdelen (T) är gängad på ena sidan vilket gör det möjligt att montera en ev. skarvmuff inklusive tätningsring (ingår ej). Skarsetet kan köpas via återförsäljaren (artikelnummer B290020).
- 4 Vrid loss skruvringen (N) från höljet (U). Ta ut UV-C-lampan (K) ur den bifogade hylsan (se förpackning) och skjut försiktigt i lampan i kvartsglasat (M). Koppla försiktigt på den via lamphållaren (L) till UV-C-lampan (K) och skruva sedan på skruvringen (N) – dra inte åt för hårt – på höljet (U).
- 5 Sätt på pumpen och kontrollera att systemet fungerar som det ska och inte läcker.
- 6 Sätt i UV-C-apparatens kontakt i ett jordat eluttag med jordfelsbrytare. Kontrollera genom apparatens genomskinliga delar att lampan lyser. Man stänger av apparaten genom att dra kontakten ur eluttaget.

Bruksanvisning digital timräknare

Om Blue Lagoon UV-C Timer är påslagen kommer programmet att testa sig självt. Displayen anger följande: 8888 (display test) ; r och nummer programvaruversion ; 50H eller 60H: nätfrekvens
Sedan hoppar displayen till mätarställning.

Om UV-C-lampan används för första gången eller efter att "återställningsfunktionen" har använts kommer värdet 4500 visas. Vid siffran längst till höger på displayen blinkar varje sekund en punkt som anger att räknaren går.

Displayen står automatiskt på den fabriksinställda mätarställningen 4500 timmar. Upp till 4500 timmar har UV-C-lampan 100% verksamt strålning. Efter 4500 timmar minskar strålningen och den kan vara otillräcklig för att uppnå önskat resultat.

Om UV-C-lampan har använts en tid och har varit påslagen tidigare, kommer displayen, när den slås på, att visa det värde som den hade innan UV-C-lampan stängdes av. Om du själv har ökat eller minskat timräknarens värde så anges den senaste inställningen som displayen hade innan den stängdes av.

Inställningen för timräknaren kan om så önskas ändras. Gör så här:

Håll knappen (R) under displayen intryckt i 5 sekunder. Displayen visar "rSt" som tecken på att användarmenyn har valts. När knappen (R) släpps blinkar mätarställningen och "rSt" omväxlande på displayen. Genom att trycka in knappen ett kort ögonblick kan du gå igenom alternativen i menyn. Det finns 3 inställningsmöjligheter i menyn: "rSt" "UP" och "dn".

- **"rSt"** betyder "reset" (återställ): härmed kan du ställa tillbaka mätarställningen till fabriksinställningen 4500 timmar. Detta val bekräftas genom att mätarställningen och "rSt" blinkar omväxlande på displayen. Om du trycker in knappen (R) i 5 sekunder, så att mätarvärdet 4500 anges, och sedan släpper knappen igen kommer timräknaren att räkna ned från mätarställningen 4500 timmar. Detta val använder du när du till exempel har bytt ut lampan eller har ändrat mätarställningen och vill återställa den till fabriksinställningen.

- **"UP"** betyder "up" (upp): härmed kan du öka mätarställningen till önskad timinställning. Detta val bekräftas genom att den valda användarinställningen "UP" och mätarställningen blinkar omväxlande på displayen. Håll sedan knappen (R) intryckt i 5 sekunder. På displayen visas efter 5 sekunder endast "UP". Släpp knappen. Genom att trycka in knappen ett kort ögonblick kan mätarvärdet ökas: från startvärdet 4500 med 500 timmar i taget till ett maxvärde på 9999. Det nya värdet blinkar, omväxlande med "UP", på displayen. När du har valt önskad timinställning väntar du 10 sekunder. Efter 10 sekunder visas den valda timinställningen i bild och timern börjar räkna ned. Om du råkar göra fel när du ökar mätarställningen kan du ställa tillbaka mätaren till 4500 genom att hålla knappen intryckt i 5 sekunder. Mätarvärdet återställs till 4500 och ett nytt värde kan ställas in på nytt.

- **"dn"** betyder "down" (ned): härmed kan du sänka mätarställningen till önskad timinställning. Detta val bekräftas genom att den valda användarinställningen "dn" och mätarställningen blinkar omväxlande på displayen. Håll sedan knappen (R) intryckt i 5 sekunder. På displayen visas efter 5 sekunder endast "dn". Släpp knappen. Genom att trycka kort på knappen kan mätarvärdet minskas från 4500 med steg på 500 timmar i taget till ett minimumvärde på 0000. Det nya värdet blinkar, omväxlande med "dn", på displayen. När du har valt önskad timinställning väntar du 10 sekunder. Efter 10 sekunder visas den valda timinställningen i bild och timern börjar räkna ned. Om du under tiden då du minskar mätarställningen råkar göra ett fel kan du ställa tillbaka mätaren till 4500 genom att hålla knappen intryckt i 5 sekunder. Mätarvärdet återställs till 4500 och ett nytt värde kan ställas in på nytt.

Timräknaren anger på följande sätt att lampan måste bytas ut:

- Från timinställning 0672; displayen blinkar varannan sekund. Lampan ska bytas ut inom 4 veckor.
- Från timinställning 0336; displayen blinkar varje halv sekund; Lampan ska bytas ut inom 2 veckor.
- Från timinställning 0168; displayen blinkar varje fjärdedels sekund; Lampan ska bytas ut inom 1 vecka.
- Vid timinställning 0000; siffrorna fortsätter att blinka snabbt och mätaren räknar inte längre ned. Lampan ska bytas ut.

Nedmontering / Underhåll

Vid underhåll/demontering av apparaten ska strömmen alltid brytas.

UV-C-apparaten ska rengöras 2 gånger per år. När alg tillväxten och/eller kalkavlagringarna ökar måste kvartsglasröret (M) som lampan befinner sig i rengöras. Den speciella lampan måste bytas ut efter 9 000 timmars användning. Insidan av rostfritt stål rengörs med en mjuk borste.

- 1 Lossa trevägskopplingarna (I) och låt vattnet rinna ur apparaten.
- 2 Lossa skruvringen (N) och lossa lampan (K) från lamphållaren (L). Ta ut lampan ur kvartsglaset och byt om det behövs ut den speciella lampan (K). Var varsam, delarna är mycket ömtåliga.
- 3 Ta försiktigt bort kvartsglaset (M) med hjälp av en stor platt skruvmejsel (se ill. 3) Ta aldrig i hårt!
- 4 Rengör kvartsglaset med ett lämpligt medel. Använd alltid en mjuk trasa för att rengöra glasets, undvik repor.
- 5 När du sätter tillbaka kvartsglaset i höljet, var uppmärksam på att de tre tätningssringarna (P) sitter på rätt plats. Skjut änden av kvartsglaset försiktigt i mottagardelen (Q) (se ill. 4). Ta aldrig i hårt!
- 6 Placera försiktigt tillbaka lampan i kvartsglaset och koppla lampan (K) till lamphållaren (L). Vrid fast skruvringen (N) igen på höljet.
- 7 Det elektriska delen av apparaten befinner sig på displaydelen (S) på apparaten. Displaydelen är limmad och kan inte öppnas. Om den elektriska delen eller displayen behöver bytas ut måste hela eldelen lossas och kablarna lossas från apparaten (se ill. 1). Vrid loss skruvringen (N) och ta försiktigt loss lamphållaren från lampan. Se till att du sparar de olika lösa delarna som hör till jordningen m.m.. Dessa levereras inte med ett nytt hölje eller elektrisk del. Om tvekel uppstår vid anslutningen, rådfråga en godkänd installatör.

8 Om höljet måste bytas ut, ska först jordningen (J) och den elektriska delen med displayen (S) först lossas från höljet (U) (se ill. 1 & 2). Skruva loss den elektriska delen med displayen (S) och lamphållaren från höljet. Se till att du sparar eventuella lösa delar som hör till jordningen. Dessa levereras inte med ett nytt hölje. Ta bort lampan (K) och kvartsglasat (M) ur höljet för att förhindra att de går sönder under transport. Om tvivel uppstår vid anslutningen, rådfråga en godkänd installatör.

Tekniska specifikationer	40.000 liter	75.000 liter
• Lampa Philips TUV T5	40 Watt	75 Watt
• UV-C (W) output	15 Watt	25 Watt
• UV-C (%) efter 4 500 timmar	85%	80%
• UV-C (%) efter 9 000 timmar	0%	0%
• Innehåll simbassäng (liter)	40.000 lit.	75.000 lit.
• Max. Genomströmning	20 000 lit./h	25 000 lit./h
• Max. Tryck	3 bar	3 bar
• Max. Temperatur	35°C	35°C
• Min. Temperatur	0°C	0°C
• Anslutning	Ø63mm / Ø50mm	Ø63mm / Ø50mm
• Apparats längd	100cm	100cm

Typ av UV-C-system

Artikelnummer: B210002 Blue Lagoon UV-C Timer 40.000 lit. / 40 Watt (230V; 50/60Hz)

Artikelnummer: B210003 Blue Lagoon UV-C Timer 75.000 lit. / 75 Watt (230V; 50/60Hz)

Ersättningslampor

Artikelnummer: E800901 Philips Lampa typ TUV 36T5 4P-SE (40 Watt)

Artikelnummer: E800902 Philips Lampa typ TUV 36T5 HO 4P-SE (75 Watt)

Garantivillkor

Garantin gäller för tillverkningsfel på produkten under 24 månader från inköpsdatumet. Lampan och kvartsglasat

täcks inte av garantin. Garantianspråk kan endast behandlas om produkten skickas tillbaka fraktfritt och med bifogat giltigt kvitto.

Garantireparationer får endast utföras av leverantören. Garantianspråk som förorsakats av installations- eller användningsfel tas inte till behandling. Defekter som uppstått på grund av bristfälligt underhåll täcks inte heller av garantin. Leverantören är inte på något sätt ansvarig för skador som förorsakats av att produkten använts felaktigt. Leverantören är inte ansvarig för följdskador som beror på att apparaten inte fungerar. Reklamationer som beror på transportskador kan endast accepteras om skadan vid leverans fastställs eller bekräftats av speditören eller postverket. Endast då är det möjligt att göra anspråk på speditör eller postverk.

Blue Lagoon UV-C Timer 40.000 – 75.000

N

Bruksanvisningen må leses omhyggelig før apparatet installeres.

Funksjon

I Blue Lagoon UV-C Timeren genereres det UV-C stråling med en bølgelengde på 253,7 nm av den spesielle Philips UV lampen, som dreper bakterier (bl.a. legionellabakterier). Blue Lagoon UV-C Timeren sørger på en miljøvennlig måte for rent, frisk og klart vann. Vannet pumpes til UV-C apparatet av en pumpe. UV-C strålingen nøytraliserer bakterier, virus og primitive organismer og forhindrer forurensningen av dem. Blue Lagoon UV-C Timeren har en integrert, høyfrekvent, elektronisk forkoblingsenhet. Denne forkoblingsenheten utjevner strømsvingninger og beskytter dermed lampen. Apparatet har også en integrert timeteller, som registrerer antall brukstimer nøyaktig. Du vet derfor nøyaktig når lampen skal skiftes. Innsiden av rustfritt stål reflekterer UV-C lyset, slik at effektiviteten økes med opp til 35 %. Takket være Blue Lagoon UV-C Timeren blir vannet i bassenget desinfisert på en effektiv og sikker måte, slik at vannkvaliteten alltid er førsteklasses.

Fordeler ved UV-C behandling:

- Sørger for friskt, rent og klart vann
- Desinfiserer vannet på en effektiv og sikker måte
- UV-C lys nedbryter bundet klor
- Beskytter bassenget mot smittestoffer
- Holder sopp-, bakterie- og algevekst under kontroll
- Kan redusere bruken av klor og andre kjemikalier med opp til 80 %
- Forebygger klorklukt og irritasjon av huden og øynene (røde øyne)
- Bedre for miljøet sammenlignet med tradisjonelle metoder

Fordeler ved Blue Lagoon UV-C Timer:

- Integrert elektronisk forkoblingsenhet for stabil strømforsyning.
- Opp til 35 % mer UV-C stråling takket være reflektering
- Philips UV-C lampe med 9.000 driftstimer
- Integrert innstillbar timeteller til UV-C lampen
- Viser digitalt når lampen skal skiftes
- Hus av 316L rustfritt stål
- Ukomplisert installasjon og vedlikehold
- 2 års garanti på fabrikkasjonsfeil
- Er jordet
- Overganger fra Ø 63 mm til Ø 50 mm medfølger

Sikkerhet

Dette apparat produserer skadelige stråler. Direkte kontakt kan være skadelig for øynene og huden.

UV-C lampens funksjon må derfor kun kontrolleres via de gjennomsiktige delene.

- Ta alltid støpselet ut av stikkkontakten før det utføres vedlikehold eller reparasjon av apparatet. Ikke ta støpselet ut av stikkkontakten og ikke sett det i hvis du står i en vannpytt eller har våte hender.
- Hold barn borte fra apparatet og ledningen.
- Ledningen til apparatet kan ikke skiftes. Hvis ledningen skades, må hele den elektriske delen skiftes. Fjern aldri støpselet, men la den elektriske delen være intakt. En elektrisk del med støpselet klippet av dekkes ikke av garantien.
- Apparatet må ikke plasseres i direkte sollys.
- Sørg for at det alltid strømmer vann gjennom enheten når lampen er tent.
- Lampen vil være varm ca. 10 minutter etter at apparatet er slått av.
- Hvis deler skades (særlig kvartsglasset), må apparatet ikke brukes.
- Hvis det er fare for frost om vinteren, skal apparatet fjernes.
- Huset av rustfritt stål er ikke egnet til saltvannsbassenger med et høyt innhold av salt. Hvis innholdet av salt for høyt, oksiderer stålet og huset skades.
- Dette produkt er utelukkende beregnet til bruk i henhold til beskrivelsen i denne bruksanvisningen.

Montering av jording (Tegning 1)

- 1 Før strekkavlastningen (F) monteres på jordingsbolten (A), skal kabelen (B) trekkes gjennom strekkavlastningen (F). Anbring strekkavlastningen (F) ca. 10 cm fra øyet (H) på jordingskabelen (B).
- 2 Sett øyet (H) på kabelen (B) over jordingsbolten (A), som sitter på selve huset.
- 3 Sett deretter en låseskive (C), sekskantmutter (D) og enda en låseskive (E) på øyet (H).
- 4 Fest strekkavlastningen (F) øverst, slik at det blir en sløyfe med \varnothing 5 cm.
- 5 Til slutt skrues låsemutteren (G) på jordingsbolten (A).
- 6 Når de forskjellige delene er satt på jordingsbolten (A) i riktig rekkefølge, kan mutteren (G) strammes til med en fastnøkkel eller ringnøkkel nummer 8. Strekkavlastningen kan revne hvis mutteren strammes for mye.
(Den transparente mutteren som er skrudd på bolten (A) ved levering, har ingen funksjon og kan kastes.)

Installasjon av apparatet (Tegning 2)

Ikke installer Blue Lagoon UV-C Timeren rett etter pH-regulatoren eller salt- elektrolysesystemet i bassenginstallasjonen. Det er best å montere apparatet umiddelbart etter filteret. Dette apparat må ikke dyppes i vann. Det må alltid installeres utenfor bassenget. Sørg for at det alltid strømmer vann gjennom enheten når lampen er tent.

- 1 Bestem hvor apparatet skal plasseres. Sørg for at det er tilstrekkelig plass (ca. 1 meter) til at lampen (K) / kvartsglasset (M) kan tas av i forbindelse med utskifting og/eller vedlikehold.
- 2 Monter de medfølgende rørklammene (O) på et fast sted, fest apparatet i rørklammene og stram den tredelte koblingen (I). Pass på at tetningsringene (P) sitter riktig, både ved tilkoblingene og kvartsglasset (se tegning 2).
- 3 Monter enheten i kretsløpet ved hjelp av den tredelte koblingen (I). Inn- og utgangen på den tredelte koblingen er \varnothing 63 mm. Hvis rørene er mindre enn \varnothing 63 mm, kan det brukes en overgang (\varnothing 63 x \varnothing 50 mm) (T). Denne overgangen skal limes på den tredelte koblingen (I). Innvendig i overgangen (T) er det gjenger i den ene enden, slik at man eventuelt kan montere en overgangsstuss med pakning (ikke inkludert). Sett med overganger kan kjøpes hos forhandleren (artikkelnummer B290020).
- 4 Skru skruringen (N) av huset (U). Ta UV-C lampen (K) ut av hylsen (se emballasjen) og sett forsiktig lampen i kvartsglasset (M). Sett forsiktig den hvite lampeholderen (L) på UV-C lampen (K) og stram skruringen (N) på huset (U) for hånd.
- 5 Start pumpen og kontroller systemet mht. gjennomstrømning og lekkasje.
- 6 Sett støpselet til UV-C apparatet i en jordnet stikkontakt som er koblet til jordfeilbryter. Kontroller gjennom de transparente delene om lampen lyser. Apparatet slås av ved å ta støpselet ut av stikkontakten.

Bruksanvisning til digital timeteller

Når Blue Lagoon UV-C Timeren er slått på, begynner programmet en selvtest. I displayet vises følgende indikasjoner etter hverandre: 8888 (displaytest); r og softwarens versjonsnummer; 50H eller 60H indikerer nettfrekvensen
Deretter vises timetelleren.

Når UV-C lampen tennes første gang eller etter at "reset" funksjonen har vært brukt, vises verdien 4500 i displayet. Ved sifferet lengst til høyre i displayet blinker hvert sekund et punktum, som angir at timetelleren går.
Displayet står automatisk på 4500 timer, som er innstilt fra fabrikk. Iinntil 4500 timer yter UV-C lampen 100 % effektiv stråling. Etter 4500 timer blir strålingen svakere, slik at man ikke oppnår ønsket resultat.
Hvis UV-C lampen har vært brukt i lengre tid, og den allerede har vært tent tidligere, viser displayet det antall timer som timetelleren sto på da UV-C lampen ble slått av. Hvis du selv har økt eller minsket timetellerens timetall, vises det siste timetallet før den ble slått av.
Timetellerens innstillinger kan endres hvis man ønsker det. Det gjøres på følgende måte:
Når bryteren (R) under displayet holdes inne i 5 sekunder, vises "rSt" i displayet og det betyr at brukermenyen er valgt. Når bryteren (R) slippes, blinker timetallet og "rSt" vekselvis i displayet. Hvis du nå trykker kort på bryteren, vises menyens valgmuligheter etter hverandre. Det er 3 innstillingsmuligheter i menyen, "rSt" "UP" og "dn".

- "rSt" betyr (reset): da stilles timetelleren tilbake til fabrikkinnstillingen på 4500 timer.
Dette valget bekreftes ved at timetallet og "rSt" blinker vekselvis i displayet. Når bryteren (R) holdes inne i 5 sekunder, vises timetallet 4500. Hvis du deretter slipper bryteren, begynner timetelleren å telle ned fra 4500 timer. Denne valgmuligheten kan du bruke når lampen for eksempel er skiftet, eller hvis du selv har endret timetallet og vil sette det tilbake til fabrikkinnstillingen.

- **“UP”** betyr (opp): dette kan øke timetallet, hvis det ønskes.

Dette valget bekreftes ved at den valgte brukerinnstillingen **“UP”** og timetallet blinker vekselvis i displayet. Deretter må bryteren (R) holdes inne i 5 sekunder. Etter 5 sekunder står det kun **“UP”** i displayet. Deretter må bryteren slippes.

Ved å trykke kort på bryteren kan timetallet økes i trinn på 500 timer fra 4500 til maksimalt 9999. Det økte timetallet og **“UP”** blinker vekselvis i displayet.

Når du har valgt det ønskede timetallet, venter du 10 i sekunder. Etter 10 sekunder vises det ønskede timetallet i displayet, og timeren begynner å telle ned.

Hvis du har gjort en feil mens du økte timetallet, kan du sette telleren på 4500 igjen ved å holde bryteren inne i 5 sekunder. Telleren er satt tilbake på 4500, og det kan innstilles en ny verdi.

- **“dn”** betyr ‘down’ (ned): dette kan minske timetallet, hvis det ønskes.

Dette valget bekreftes ved at den valgte brukerinnstillingen **“dn”** og timetallet blinker vekselvis i displayet. Deretter må bryteren (R) holdes inne i 5 sekunder. Etter 5 sekunder står det kun **“dn”** i displayet. Deretter må bryteren slippes.

Ved å trykke kort på bryteren kan timetallet reduseres i trinn på 500 timer fra 4500 til minimalt 0000. Det reduserte timetallet og **“dn”** blinker vekselvis i displayet.

Når du har valgt det ønskede timetallet, venter du 10 i sekunder. Etter 10 sekunder vises det ønskede timetallet i displayet, og timeren begynner å telle ned.

Hvis du har gjort en feil mens du reduserte timetallet, kan du sette telleren på 4500 igjen ved å holde bryteren inne i 5 sekunder. Telleren er satt tilbake på 4500, og det kan innstilles en ny verdi.

Når lampen skal skiftes, angir timetelleren det på følgende måte:

- Fra timetall 0672; displayet blinker hvert sekund. Lampen må skiftes om 4 uker.
- Fra timetall 0336; displayet blinker hvert halve sekund; Lampen må skiftes om 2 uker.
- Fra timetall 0168; displayet blinker hvert ¼ sekund; Lampen må skiftes om 1 uke.
- Ved timetall 0000; sifrene blinker raskt hele tiden og telleren kan ikke telle ned ytterligere. Lampen må skiftes.

Demontering/vedlikehold

Strømtilførselen må brytes når det utføres vedlikehold/demontering!

Apparatet må rengjøres 2 ganger i året. Hvis algeveksten og/eller kalkavsetningen øker, må kvartsglassrøret (M) med lampen rengjøres. Den spesielle lampen må skiftes etter senest 9.000 timer. Den innvendige overflaten av rustfritt stål rengjøres med en myk børste.

- 1 Løsne den tredelte koblingen (I) og la vannet renne ut av apparatet.
- 2 Løsne skruingen (N) og løsne lampen (K) fra lampeholderen (L). Ta lampen ut av kvartsglasset og skift om nødvendig lampen (K). Man må være forsiktig, for delene er svært skjøre.
- 3 Kwartsglasset (M) tas forsiktig av med en stor, flat skrutrekker (se **tegning 3**). Bruk ikke makt!
- 4 Rengjør kvartsglasset med et egnet middel. Bruk alltid en myk klut for å rengjøre glasset, unngå å lage riper.
- 5 Når kvartsglasset settes i igjen, må man sørge for at de 3 tetningsringene (P) sitter riktig; sett deretter enden av kvartsglasset forsiktig i holderen (Q) i bunnen (se **tegning 4**). Bruk ikke makt!
- 6 Sett forsiktig lampen i kvartsglasset og sett lampen (K) i lampeholderen (L). Skru skruingen (N) på huset igjen.
- 7 Apparatets elektriske del sitter i displayboksen (S) på apparatet. Denne displayboksen er limt og kan ikke åpnes. Ved skifting av den elektriske delen eller displayet må hele boksen skrues løs, og ledningene til apparatet må avmonteres (se **tegning 1**). Løsne skruingen (N) og løsne forsiktig lampeholderen fra lampen. Pass på å ta vare på de forskjellige delene til jording osv. Disse delene følger ikke med til et nytt hus eller en ny elektrisk del. Hvis du er i tvil om den elektriske tilkoblingen, bør du kontakte en autorisert elektriker.
- 8 Hvis huset må skiftes, skal jordingen (J) og den elektriske delen med display (S) først tas av huset (U) (se **tegning 1 & 2**). Skru den elektriske delen med display (S) og lampeholderen av huset. Pass på å ta vare på de forskjellige delene til jording. De følger ikke med til et nytt hus. Ta lampen (K) og kvartsglasset (M) ut av huset slik at de ikke skades under transport. Hvis du er i tvil om den elektriske tilkoblingen, bør du kontakte en autorisert elektriker.

Tekniske spesifikasjoner	40.000 L	75.000 L
• Lampe Philips TUV T5	40 Watt	75 Watt
• UV-C effekt (W)	15 Watt	25 Watt
• UV-C (%) etter 4.500 timer	85 %	80 %
• UV-C (%) etter 9.000 timer	0 %	0 %
• Bassenginnhold (L.)	40.000 L	75.000 L
• Maks. gjennomstrømning	20.000 l/t	25.000 l/t
• Maks. trykk	3 bar	3 bar
• Maks. temperatur	35 °C	35 °C
• Min. temperatur	0 °C	0 °C
• Tilkobling	Ø 63 mm/Ø 50 mm	Ø 63 mm/Ø 50 mm
• Lengde apparat	100 cm	100 cm

Type UV-C systemer

Artikkelnummer: B210002 Blue Lagoon UV-C Timer 40.000 L / 40 Watt (230 V; 50/60 Hz)

Artikkelnummer: B210003 Blue Lagoon UV-C Timer 75.000 L / 75 Watt (230 V; 50/60 Hz)

Reservelamper

Artikkelnummer: E800901 Philips Lampe type TUV 36T5 4P-SE (40 Watt)

Artikkelnummer: E800902 Philips Lampe type TUV 36T5 HO 4P-SE (75 Watt)

Garantibetingelser

Produktet leveres med 24 måneders garanti på fabrikkasjonsfeil, regnet fra kjøpsdatoen. Lampen og kvartsglasset dekkes ikke av garantien. Garantikrav behandles kun hvis produktet returneres franko og vedlagt en gyldig kvittering. Garantireparasjoner må kun utføres av leverandøren.

Garantien dekker ikke feil forårsaket av feil installasjon eller betjening. Defekter som skyldes mangelfullt vedlikehold dekkes heller ikke av garantien. Leverandøren kan ikke på noen måte stilles til ansvar for skade som følge av feil bruk av produktet. Leverandøren kan ikke stilles til ansvar for følgeskader som skyldes svikt av apparatet. Reklamasjoner på grunn av transportskader aksepteres kun hvis skaden ved levering er konstatert og bekreftet av speditøren eller postvesenet. Kun da er det mulig å gjøre krav gjeldende overfor speditøren eller postvesenet.

Lue tämä käyttöohje huolellisesti ennen laitteen asennusta.

Toiminta

Blue Lagoon UV-C Timer synnyttää Philipsin UV -lampun avulla UV-C-säteilyä, jonka aallonpituus on 253,7 nm. Säteily tappaa bakteerit (mm. legioonalaistaudin bakteerit). Blue Lagoon UV-C Timer takaa tehokkaalla ja ympäristöä säästävällä tavalla raikkaan, puhtaan ja kirkkaan veden. Pumppu työntää veden UV-C-laitteen läpi. UV-C-säteily neutraloi bakteerit, virukset ja muut alkeelliset eliöt ja estää niiden lisääntymisen. Blue Lagoon UV-C Timer -laitteessa on sisäinen elektroninen HF-liitäntälaitte. Liitäntälaitte tasaa sähkövirran vaihtelut ja suojaa siten lampua. Laitteessa on myös tuntilaskuri, joka laskee lampun polttotunnit tarkasti. Näin tiedät tarkkaan, milloin lamppu on vaihdettava. Teräksinen sisäpinta heijastaa lisäksi UV-C-säteilyä erityisen hyvin ja parantaa tehokkuutta jopa 35 %. Blue Lagoon UV-C Timer desin fioi veden tehokkaasti ja turvallisesti ja pitää sen laadun erinomaisena.

UV-C-käsittelyn edut:

- Takaa raikkaan, puhtaan ja kirkkaan veden
- Desin fioi veden tehokkaalla ja turvallisella tavalla
- Hajottaa sitoutuneen kloorin UV-C-valon avulla
- Suojaa uima-allasta taudinaiheuttajilta
- Pitää homeiden, bakteerien ja levien kasvun kurissa
- Mahdollistaa kloorin ja muiden kemikaalien käytön vähentämisen 100 prosentilla
- Estää kloorin hajun sekä ihon ja silmien ärtymisen (punaiset silmät)
- Perinteisiä menetelmiä turvallisempi ympäristölle

Blue Lagoon UV-C Timer -laitteen ominaisuudet:

- Sisäinen elektroninen liitäntälaitte, joka pitää virran vakiona.
- Heijastavuus parantaa UV-C-tuottoa jopa 35 %
- Philips UV-C -lampun polttoikä 9000 tuntia
- Integroitu säädettävä tuntilaskuri UV-C -lampua varten
- Ilmoittaa digitaalisesti, milloin lamppu on vaihdettava
- 316L-laatuiseista ruostumattomasta teräksestä valmistettu runko
- Yksinkertainen asennus ja huolto
- Valmistusvirheet kattava 2 vuoden takuu
- Maadoitettu
- Mukana sovittimet $\varnothing 63\text{mm} > \varnothing 50\text{mm}$

Turvallisuus

Laitte synnyttää haitallista säteilyä. Suora kosketus säteilyyn voi vahingoittaa silmiä ja ihoa.

Tarkasta UV-C-lampun toiminta siksi ainoastaan laitteen läpinäkyvien osien läpi.

- Irrota pistotulppa pistorasiasta aina ennen laitteen huoltamista tai korjaamista. Älä kytke pistotulppaa pistorasiaan tai irrota sitä, jos seisot vesilammikossa tai kätesi ovat märät.
- Pidä lapset poissa laitteen ja johdon luota.
- Laitteen liitosjohtoa ei voi vaihtaa. Jos liitosjohto on vahingoittunut, laitteen koko sähköyksikkö on uusittava. Älä irrota pistotulppaa johdosta äläkä tee mitään muutoksia sähköyksikköön. Jos pistotulppa on leikattu irti, laitteen sähköyksikön takuu raukeaa.
- Älä sijoita laitetta suoraan auringonpaisteeseen.
- Varmista, että laitteen läpi virtaa aina vettä, kun lamppu palaa.
- Kun laite on kytketty pois päältä, lamppu on vielä noin 10 minuutin ajan lämmin.
- Jos jokin osa (etenkin kvartsilasi) on vahingoittunut, älä käytä laitetta.
- Poista laite järjestelmästä talvella jäätymisvaaran uhatessa.
- Laitteen runko on ruostumatonta terästä, eikä se sovellu merivesialtaisiin, joiden suolapitoisuus on suuri. Jos suolapitoisuus on liian suuri, teräs hapettuu ja laitteen runko vahingoittuu.
- Laitetta tulee käyttää ainoastaan tässä käyttöohjeessa kuvatulla tavalla.

Maadoituksen asentaminen (kuva 1)

- 1 Ennen kuin asennat muovisen vedonpoistimen (F) maadoitusruuviin (A), vedä johto (B) vedonpoistimen (F) läpi. Aseta vedonpoistin (F) noin 10 cm:n päähän maadoitusjohdon (B) silmukasta (H).
- 2 Aseta johdon (B) silmukka (H) rungossa olevaan maadoitusruuviin (A).
- 3 Aseta sitten hammasaluslaatta (C), kuusiomutteri (D) ja toinen hammasaluslaatta (E) silmukan (H) päälle.
- 4 Kiinnitä vedonpoistin (F) niiden päälle siten että johto muodostaa halkaisijaltaan 5 cm:n silmukan.
- 5 Aseta lopuksi lukkomutteri (G) maadoitusruuviin (A).
- 6 Jos mutterit on asetettu oikeassa järjestyksessä maadoitusruuviin (A), se voidaan kiristää kita- tai silmukka-avaimella (nro 8). Älä kiristä liikaa, jotta vedonpoistin ei vahingoitu.
(Läpinäkyvä mutteri, joka toimitettiin maadoitusruuviin (A) kiinnitettyinä, on nyt tarpeeton ja sen voi hävittää).

Laitteen asentaminen (kuva 2)

Älä asenna Blue Lagoon UV-C -laitetta välittömästi uima-allaslaitteiston pH-säätimen eikä suolalla toimivan elektrolyysijärjestelmän jälkeen. Laite on paras asentaa heti suodattimen jälkeen. Laitetta ei saa upottaa veteen. Se on aina asennettava altaan ulkopuolelle. Varmista, että laitteen läpi virtaa aina vettä, kun lamppu palaa.

- 1 Valitse laitteen asennuspaikka. Varmista, että laitteen ympärille jää riittävästi tilaa (n. 1 metri), jotta lamppu (K) ja kvartsilasi (M) voidaan irrottaa vaihtoa ja huoltoa varten.
- 2 Kiinnitä mukana toimitetut putkikiinnikkeet (O) tukevaan kohtaan, asenna laite putkikiinnikkeisiin ja kiristä kolmiosainen liitin (I). Tarkasta, että liitäntöjen ja kvartsilasin tiivistysrenkaat (P) on asennettu oikeisiin kohtiin (**katso kuvaa 2**).
- 3 Asenna laite kolmiosaisia liittimiä (I) käyttäen järjestelmään. Kolmiosaisen liittimen tulo- ja poistoaukon koko on Ø 63 mm. Jos johdot ovat pienempiä kuin 63 mm, voit käyttää sovitinkappaletta (Ø 63 x Ø 50 mm) (T). Se on liimattava kolmiosaiseen liittimeen (I). Sovitinkappaleen (T) sisässä on toisella puolella ruuvikierre, johon voidaan asentaa mahdollinen sovitinnippa ja tiivistysrenkas (ei sisälly toimitukseen). Sovitinsarjoja saa jälleenmyyjältä (tuotenumero B290020).
- 4 Kierrä kierrerenkas (N) irti rungosta (U). Ota UV-C-lamppu (K) mukana toimitetusta suojuksesta (katso pakkausta) ja työnnä lamppu varovasti kvartsilasin (M) sisään. Kytke valkoinen lampunpidin (L) varovasti UV-C-lamppuun (K) ja kiinnitä sitten kierrerenkas (N) käsivoimin kiinni runkoon (U).
- 5 Käynnistä pumppu ja tarkasta, että vesi virtaa laitteen läpi eikä järjestelmässä ole vuotoja.
- 6 Kytke UV-C-laitteen pistotulppa maadoitettuun seinäpistorasiaan, joka on suojattu vikavirtasuojakytkimellä. Tarkasta katsomalla laitteen läpinäkyvien osien läpi, että lamppu palaa. Laitteen virran voi katkaista kokonaan irrottamalla pistotulpan pistorasiasta.

Digitaalisen tuntilaskurin käyttöohje

Kun Blue Lagoon UV-C Timer on kytketty toimintaan, ohjelma testaa itsensä. Näyttöön tulee automaattisesti peräjälkeen seuraavat ilmoitukset: ; 8888; display test ; r ja ohjelmiston versionumero ; 50H tai 60H - verkkotaajuus.
Sen jälkeen laite siirtyy näyttämään tuntilukemaa.

Kun UV-C-lamppu kytketään ensimmäisen kerran toimintaan tai kun on käytetty palautustoimintaa, näyttöön tulee lukema 4500. Oikeanpuoleisimman numeron kohdalla vilkkuu sekunnin välein piste osoittaen, että laskuri käy. Näyttöön tulee automaattisesti tehtaassa asetettu lukema 4500 tuntia. UV-C-lamppu antaa 4500 tunnin ajan 100-prosenttisen säteilytehon. 4500 tunnin jälkeen säteily heikkenee, eikä sillä mahdollisesti päästä enää toivottuun tulokseen. Jos UV-C-lamppua on käytetty jo pitempään ja se on ollut aikaisemmin kytkettynä toimintaan, näyttöön tulee päällekytkennän jälkeen arvo, joka siinä oli ennen kuin UV-C-lamppu kytkettiin pois toiminnasta. Jos olet itse suurentanut tai pienentänyt tuntilaskurin arvoa, näyttöön tulee viimeinen lukema, joka laskurissa oli ennen poiskytkentää. Voit halutessasi muuttaa tuntilaskurin lukemaa. Se tehdään seuraavasti:
Kun olet painanut näytön alla olevaa kytkintä (R) 5 sekunnin ajan, näyttöön tulee ilmoitus "rSt" merkiksi siitä, että olet valinnut käyttäjävalikon. Kun vapautat kytkimen (R), näytössä vilkkuvat vuorotellen laskurin lukema ja "rSt". Voit vuorotella valikon vaihtoehtoja painamalla kytkintä nyt lyhyesti. Valikossa on 3 säätövaihtoehtoa: **rSt, UP ja dn**.

- **“rSt”** (reset) tarkoittaa: laskurin lukemaksi palautetaan tehdasasetus 4500 tuntia.

Tämä vaihtoehto on valittu, kun näytössä vilkkuu vuorotellen laskurin lukema ja **“rSt”**. Kun painat kytkintä (R) 5 sekunnin ajan, jolloin näyttöön tulee lukema 4500, ja vapautat sen sitten, laskuri alkaa laskea aikaa arvosta 4500 alaspäin. Käytä tätä vaihtoehtoa esimerkiksi silloin, kun olet vaihtanut lamppun tai olet muuttanut laskurin lukemaa ja haluat palauttaa siihen tehdasasetuksen.

- **“UP”** (ylös) tarkoittaa: laskurin lukemaa voidaan suurentaa haluttuun tuntimäärään.

Tämä vaihtoehto on valittu, kun näytössä vilkkuu vuorotellen valittu asetus **“UP”** ja laskurin lukema. Tämän jälkeen kytkintä (R) täytyy painaa 5 sekunnin ajan. 5 sekunnin kuluttua näytössä näkyy ainoastaan **“UP”**. Vapauta sen jälkeen kytkin.

Painelemalla kytkintä lyhyesti voit suurentaa laskurin lukemaa 4500:sta lähtien 500:n askelmin. Suurin mahdollinen arvo on 9999. Näytössä vilkkuu vuorotellen suurennettu arvo ja **“UP”**.

Kun olet valinnut halutun tunti lukeman, odota 10 sekuntia. 10 sekunnin kuluttua näyttöön tulee valittu tunti lukema ja laskuri alkaa mitata aikaa alaspäin.

Jos teet virheen lukeman suurentamisen aikana, voit palauttaa lukeman arvoon 4500 painamalla kytkintä 5 sekunnin ajan. Lukemaksi on nyt palautettu 4500 ja voit säätää laskuriin uuden arvon.

- **“dn”** (alas) tarkoittaa: laskurin lukemaa voidaan pienentää haluttuun tuntimäärään.

Tämä vaihtoehto on valittu, kun näytössä vilkkuu vuorotellen valittu asetus **“dn”** ja laskurin lukema. Tämän jälkeen kytkintä (R) täytyy painaa 5 sekunnin ajan. 5 sekunnin kuluttua näytössä näkyy ainoastaan **“dn”**. Vapauta sen jälkeen kytkin.

Painelemalla kytkintä lyhyesti voit pienentää laskurin lukemaa 4500:sta lähtien 500:n askelmin. Pienin mahdollinen arvo on 0000. Näytössä vilkkuu vuorotellen pienennetty arvo ja **“dn”**.

Kun olet valinnut halutun tunti lukeman, odota 10 sekuntia. 10 sekunnin kuluttua näyttöön tulee valittu tunti lukema ja laskuri alkaa mitata aikaa alaspäin.

Jos teet virheen lukeman pienentämisen aikana, voit palauttaa lukeman arvoon 4500 painamalla kytkintä 5 sekunnin ajan. Lukemaksi on nyt palautettu 4500 ja voit säätää laskuriin uuden arvon.

Tuntilaskuri ilmoittaa seuraavalla tavalla, että lamppu on vaihdettava:

- Tuntilukumasta 0672 lähtien: näyttö vilkkuu sekunnin välein. Lamppu on vaihdettava 4 viikon kuluttua.
- Tuntilukumasta 0336 lähtien: näyttö vilkkuu puolen sekunnin välein. Lamppu on vaihdettava 2 viikon kuluttua.
- Tuntilukumasta 0168 lähtien: näyttö vilkkuu neljäsosasekunnin välein. Lamppu on vaihdettava 1 viikon kuluttua.
- Tuntilukema 0000: numerot vilkkuvat nopeasti eikä laskurin lukema enää muutu. Lamppu on vaihdettava.

Laitteen purkaminen ja huolto

Katkaise virta aina ennen laitteen huoltamista tai irrottamista.

Laitte on puhdistettava 2 kertaa vuodessa. Jos levien kasvu tai kalkan kertyminen lisääntyy, puhdistaa kvartsilasin putki (M), jonka sisässä lamppu on. Erikoislamppu on vaihdettava viimeistään 9 000 käyttötunnin jälkeen. Teräksisen sisäpinnan voi puhdistaa pehmeällä harjalla.

- 1 Kierrä kolmiosisaiset liittimet (I) auki ja anna veden valua pois laitteesta.
- 2 Kierrä kierrerengas (N) irti ja irrota lamppu (K) irti lampunpitemestä (L). Ota lamppu pois kvartsilasin sisästä ja vaihda erikoislamppu (K) tarvittaessa. Ole varovainen, sillä nämä osat rikkoutuvat herkästi.
- 3 Irrota kvartsilasi (M) varovasti suurella uraruuvitaltalla (**katsota kuvaa 3**). Älä käytä voimaa!
- 4 Puhdistaa kvartsilasi sopivalla aineella. Käytä puhdistukseen aina pehmeää liinaa ja varo naarmuttamasta lasia.
- 5 Kun asetat kvartsilasia takaisin paikalleen, varmista että 3 tiivistysrengasta (P) on tulevat oikeisiin paikkoihin ja työnä kvartsilasin pää varovasti vastakappaleeseen (Q) (**katsota kuvaa 4**). Älä käytä voimaa!
- 6 Aseta lamppu varovasti takaisin kvartsilasiin ja kytkä lamppu (K) lampunpitimeen (L). Kiinnitä kierrerengas (N) takaisin runkoon.
- 7 Laitteen sähköyksikkö on näyttörasiassa (S) laitteen päällä. Tämä näyttörasia on liimattu kiinni, eikä sitä voi avata. Jos sähköyksikkö tai näyttö on vaihdettava, koko rasia täytyy ruuvata irti ja laitteen johdot on irrotettava (**katsota kuvaa 1**). Kierrä kierrerengas (N) irti ja irrota lampunpidin varovasti lampusta. Laita maadoituskappale ja muut irralliset osat huolella talteen. Niitä ei toimiteta uuden rungon tai sähköyksikön mukana. Jos et ole varma, että osaat tehdä kytkennät oikein, ota yhteyttä valtuutettuun sähköasentajaan.
- 8 Jos runko on vaihdettava, maadoitus (J) ja sähköyksikkö näyttöineen (S) on ensin irrotettava rungosta (U) (**katsota kuvia 1 ja 2**). Kierrä sähköyksikkö näyttöineen (S) ja lampunpidin irti rungosta. Laita maadoituskappale ja muut irralliset osat huolella talteen. Niitä ei

toimiteta uuden rungon mukana. Ota lamppu (K) ja kvartsilasi (M) pois rungosta, jotta ne eivät rikkoudu kuljetuksen aikana. Jos et ole varma, että osaat tehdä kytkennät oikein, ota yhteyttä valtuutettuun sähköasentajaan.

Tekniset tiedot	40 000 l	75 000 l
• Lamppu Philips TUV T5	40 W	75 W
• UV-C-teho (W)	15 W	25 W
• UV-C (%) 4 500 tunnin jälkeen	85 %	80 %
• UV-C (%) 9 000 tunnin jälkeen	0 %	0 %
• Uima-altaan tilavuus (l)	40 000 l	75 000 l
• Virtaama enintään	20 000 l/h	25 000 l/h
• Paine enintään	3 bar	3 bar
• Lämpötila enintään	35 °C	35 °C
• Lämpötila vähintään	0 °C	0 °C
• Liitäntä	Ø 63 mm / Ø 50 mm	Ø 63 mm / Ø 50 mm
• Laitteen pituus	100cm	100cm

UV-C-järjestelmän tyyppi

Tuotenumero: B210002 Blue Lagoon UV-C Timer 40 000 l / 40 W (230 V; 50/60 Hz)

Tuotenumero: B210003 Blue Lagoon UV-C Timer 75 000 l / 75 W (230 V; 50/60 Hz)

Vaihtolamput

Tuotenumero: E800901 Philips lampun tyyppi TUV 36T5 4P-SE (40 W)

Tuotenumero E800902 Philips lampun tyyppi TUV 36T5 HO 4P-SE (75 W)

Takuuehdot

Tuotteella on valmistusvirheet kattava 24 kuukauden takuu ostopäivästä lukien. Takuu ei kata lampua eikä kvartsilasia. Takuuvaateet voidaan ottaa käsiteltäväksi vain, jos ostaja palauttaa tuotteen omalla kustannuksellaan ja mukaan on liitetty pätevä ostotosite. Takuukorjaukset on aina annettava myyjän tehtäväksi. Takuu ei koske vaateita, jotka aiheutuvat asennus- tai käyttövirheistä. Takuu ei kata myöskään puutteellisesta huollosta johtuvia vikoja. Myyjä ei vastaa millään tavalla vahingoista, jotka aiheutuvat tuotteen väärästä käytöstä. Myyjää ei voida asettaa vastuuseen välillisistä vahingoista, jotka aiheutuvat laitteen toimimattomuudesta. Kuljetusvaurioita koskevat valitukset voidaan hyväksyä vain, jos vaurio todetaan tai vahvistetaan kuljetusliikkeen tai postin toimittaessa laitteen perille. Kuljetusliike tai posti voidaan ainoastaan tässä tapauksessa asettaa vastuuseen vaurioista.

Διαβάστε αυτές τις οδηγίες χρήσης με προσοχή πριν από την εγκατάσταση της συσκευής.

Λειτουργία

Στη μονάδα Blue Lagoon UV-C Timer, παράγεται ακτινοβολία UV-C με μήκος κύματος 253,7 nm από την ειδική λυχνία Philips UV, επιδρώντας θανάσιμα στα βακτήρια (συμπεριλαμβανομένου του βακτηριδίου Λεγεωνέλλας). Η μονάδα Blue Lagoon UV-C Timer διασφαλίζει ότι το νερό της πισίνας σας είναι καθαρό, φρέσκο και διαυγές με αποτελεσματικό και φιλικό προς το περιβάλλον τρόπο. Η τροφοδοσία του νερού πραγματοποιείται από τη συσκευή UV-C μέσω μιας αντλίας. Η ακτινοβολία UV-C εξουδετερώνει βακτήρια, ιούς και άλλους πρωτόγονους οργανισμούς και διακόπτει την αναπαραγωγή τους. Η μονάδα Blue Lagoon UV-C Timer έχει ένα ενσωματωμένο ηλεκτρονικό πηνίο υψηλών συχνοτήτων, που απορροφά τις τρέχουσες διακυμάνσεις, προστατεύοντας τη λυχνία. Επιπλέον, η συσκευή περιέχει ένα ενσωματωμένο χρονόμετρο που παρακολουθεί με ακρίβεια τον αριθμό των ωρών λειτουργίας. Μπορείτε επομένως να δείτε ακριβώς πότε πρέπει να αντικαταστήσετε τη λυχνία. Επιπλέον, το εσωτερικό από ανοξείδωτο χάλυβα διασφαλίζει την αντανάκλαση των ακτινών UV-C. Έτσι, αυξάνεται η αποδοτικότητα έως 35%. Χάρη στη μονάδα Blue Lagoon UV-C Timer, το νερό της πισίνας απολυμαίνεται αποτελεσματικά και με ασφάλεια και η ποιότητα του νερού παραμένει άριστη.

Πλεονεκτήματα της εφαρμογής UV-C:

- Διασφάλιση φρέσκου, καθαρού και διαυγούς νερού
- Αποτελεσματική και ασφαλής απολύμανση νερού
- Το δεσμευμένο χλώριο αποσυντίθεται από το φως UV-C
- Προστασία της πισίνας από μικρόβια
- Ο σχηματισμός μούχλας, βακτηρίων και φυκιών βρίσκεται υπό έλεγχο
- Δυνατότητα μείωσης της χρήσης χλωρίου και άλλων χημικών έως και 80%
- Παρεμπόδιση της μυρωδιάς του χλωρίου και του ερεθισμού στο δέρμα και τα μάτια (κόκκινα μάτια)
- Μεγαλύτερη φιλικότητα προς το περιβάλλον σε σχέση με άλλες παραδοσιακές μεθόδους

Πλεονεκτήματα της μονάδας Blue Lagoon UV-C Timer:

- Ενσωματωμένος ηλεκτρονικός προεπιλογέας για ομαλή τροφοδοσία ρεύματος
- Έως και 35% μεγαλύτερη απόδοση UV-C εξαιτίας της αντανάκλασης
- Περιλαμβάνει λυχνία Philips UV-C με 9.000 ώρες λειτουργίας
- Ενσωματωμένο ρυθμιζόμενο χρονόμετρο για τη λυχνία UV-C
- Ψηφιακή ένδειξη, όταν η λυχνία πρέπει να αντικατασταθεί
- Περιβλήμα από ανοξείδωτο χάλυβα 316L
- Εύκολη εγκατάσταση και συντήρηση
- Εγγύηση 2 ετών ως προς κατασκευαστικά σφάλματα
- Με γείωση
- Περιλαμβάνονται προσαρμογείς Ø 63mm έως Ø 50mm κατά την παράδοση

Ασφάλεια

Αυτή η συσκευή παράγει επιβλαβή ακτινοβολία. Η απευθείας επαφή μπορεί να θέσει σε κίνδυνο τα μάτια και το δέρμα. Να ελέγχετε τη λειτουργία της λυχνίας UV-C μόνο μέσω των διαφανών εξαρτημάτων της μονάδας.

- Αφαιρείτε πάντα το βύσμα από την πρίζα πριν από τη διεξαγωγή εργασιών συντήρησης ή επισκευής στη μονάδα. Μην εισάγετε / εξάγετε ποτέ το βύσμα από την πρίζα, ενώ στέκεστε μέσα σε νερό ή αν τα χέρια σας είναι βρεγμένα.
- Κρατάτε τα παιδιά σε απόσταση από αυτήν τη συσκευή και από το καλώδιο.
- Το καλώδιο της συσκευής δεν είναι δυνατό να αντικαθισταθεί. Σε περίπτωση ζημίας στο καλώδιο ρεύματος πρέπει να αντικαθιστάται κομπλέ η ηλεκτρική μονάδα. Μην αφαιρείτε ποτέ το βύσμα. Αφήστε την ηλεκτρική μονάδα άθικτη. Μια ηλεκτρική μονάδα, στην οποία έχει αφαιρεθεί το βύσμα, δεν καλύπτεται πλέον από την εγγύηση.
- Μην εγκαθιστάτε ποτέ τη μονάδα σε σημείο με άμεση έκθεση στο ηλιακό φως.
- Διασφαλίστε ότι διέρχεται πάντα νερό από τη μονάδα, όταν είναι αναμμένη η λυχνία.
- Μετά την απενεργοποίηση της συσκευής, η λυχνία παραμένει ζεστή για περίπου 10 λεπτά.
- Μην χρησιμοποιείτε τη συσκευή αν έχει ζημιά κάποιο από τα εξαρτήματα (ειδικά το υαλί χαλαζία).
- Αφαιρείτε τη συσκευή αν υπάρχει κίνδυνος παγώματος στη διάρκεια των χειμερινών μηνών.
- Το περιβλήμα από ανοξείδωτο χάλυβα της συσκευής δεν είναι κατάλληλο για εμβάπτιση σε νερό με υψηλή περιεκτικότητα σε άλατα. Εάν η περιεκτικότητα σε άλατα είναι πολύ υψηλή, ο χάλυβας θα οξειδωθεί και θα προκαλέσει ζημίες στο περιβλήμα.
- Αυτό το προϊόν μπορεί να χρησιμοποιηθεί μόνο σύμφωνα με τις οδηγίες που περιγράφονται σε αυτές τις οδηγίες χρήσης.

Εγκατάσταση της γείωσης (σχέδιο 1)

- 1 Τραβήξτε το καλωδίο (B) μέσα από το ανακουφιστικό καταπόνησης (F) πριν να τοποθετήσετε το συνθετικό ανακουφιστικό καταπόνησης (F) στο μπουλόνι γείωσης (A). Τοποθετήστε το ανακουφιστικό καταπόνησης (F) περίπου 10 cm από την οπή (H) του καλωδίου γείωσης (B).
- 2 Τοποθετήστε την οπή (H) του καλωδίου (B) στο μπουλόνι γείωσης (A) που είναι τοποθετημένο στο περίβλημα.
- 3 Κατόπιν τοποθετήστε μια οδοντωτή ροδέλα ασφάλισης (C), ένα εξάγωνο παξιμάδι (D) και άλλη μία οδοντωτή ροδέλα ασφάλισης (E) στο επάνω μέρος της οπής (H).
- 4 Τοποθετήστε το ανακουφιστικό καταπόνησης (F) στο επάνω μέρος, δημιουργώντας μια θηλιά Ø 5 cm.
- 5 Στο τέλος τοποθετήστε το παξιμάδι ασφάλισης (G) στο μπουλόνι γείωσης (A).
- 6 Μόλις τοποθετηθούν τα διάφορα παξιμάδια στο μπουλόνι γείωσης (A) με τη σωστή σειρά, μπορούν να σφιχτούν με γερμανικό ή με πολύγωνο κλειδί διάστασης 8. Μην σφίγγετε πολύ δυνατά, διαφορετικά μπορεί να ραγίσετε το ανακουφιστικό καταπόνησης. (Το διαφανές παξιμάδι που ήταν βιδωμένο στο μπουλόνι γείωσης (A) κατά την παράδοση δεν έχει άλλη χρήση και μπορεί να απορριφθεί).

Εγκατάσταση της συσκευής (σχέδιο 2)

Η μονάδα Blue Lagoon UV-C Timer δεν πρέπει να εγκαθίσταται ποτέ πίσω από το ρυθμιστή Ph ή πίσω από το σύστημα ηλεκτρόλυσης άλατος στην εγκατάσταση της πισίνας. Η ιδανική θέση για την εγκατάσταση της συσκευής σας είναι πίσω από την αντλία και το φίλτρο. Μην βυθίζετε ποτέ τη συσκευή στο νερό. Η εγκατάσταση πρέπει πάντα να γίνεται έξω από την πισίνα. Διασφαλίστε ότι διέρχεται πάντα νερό από τη μονάδα όταν είναι αναμμένη η λυχνία.

- 1 Καθορίστε τη θέση εγκατάστασης της συσκευής. 7 Διασφαλίστε ότι απομένει ελεύθερη περιοχή (+/- 1 μέτρο) για να έχετε τη δυνατότητα αφαίρεσης της λυχνίας (K) / του υαλοπίχλα (M) για λόγους αντικατάστασης ή/και εκτέλεσης συντήρησης.
- 2 Τοποθετήστε τα παρεχόμενα κλιπ αγωγών (O) σε καθορισμένες θέσεις, πιέστε τη μονάδα στα κλιπ αγωγών και σφίξτε τον συζεύκτη τριών στοιχείων (I). Προσέξτε τη σωστή θέση των δακτύλιων στεγανοποίησης (P) όσον αφορά στις συνδέσεις και στο υαλί χαλαζία (ανατρέξτε στο σχέδιο 2).
- 3 Τοποθετήστε τη μονάδα στο κύκλωμα χρησιμοποιώντας τους συζεύκτες τριών στοιχείων (I). Η εισαγωγή και η εξαγωγή του συζεύκτη τριών στοιχείων είναι Ø 63 mm. Αν οι σωλήνες είναι μικρότεροι από 63 mm, μπορείτε να χρησιμοποιήσετε τον προσαρμογέα (Ø 63 x Ø 50 mm) (T). Αυτός πρέπει να κολληθεί στο συζεύκτη τριών στοιχείων (I). Στη μία πλευρά του προσαρμογέα (T), υπάρχει ένα σπείρωμα βίδας στο εσωτερικό που παρέχει την επιλογή τοποθέτησης προσαρμογέα με στεγανοποιητικό δακτύλιο (δεν περιλαμβάνεται στην παράδοση), αν απαιτείται. Μπορείτε να προμηθευτείτε τα σετ προσαρμογέα από το διανομέα σας (κωδικός B290020).
- 4 Ξεβιδώστε το δακτύλιο με σπείρωμα (N) από το περίβλημα (U). Αφαιρέστε τη λυχνία UV-C (K) από την παρεχόμενη θήκη (βλέπε συσκευασία) και ούρετε προσεκτικά τη λυχνία στο υαλί χαλαζία (M). Συνδέστε προσεκτικά τη λευκή βάση λυχνίας (L) στη λυχνία UV-C (K) και έπειτα βιδώστε το δακτύλιο με σπείρωμα (N) σφίγγοντας με το χέρι στο περίβλημα (U).
- 5 Ενεργοποιήστε την αντλία και ελέγξτε τη ροή και την τυχόν διαρροή στο σύστημα.
- 6 Τοποθετήστε το βύσμα της συσκευής UV-C σε μια επιτοίχια πρίζα που διαθέτει επιτόχια ασφαλείας και αποζεύκτη κυκλώματος παραμένουσας τάσης. Ελέγξτε αν λειτουργεί η λυχνία, κοιτώντας μέσα από τα διάφανα εξαρτήματα της μονάδας. Η μονάδα απενεργοποιείται βγάζοντας το βύσμα από την πρίζα.

Οδηγίες χρήσης του ψηφιακού χρονομέτρου

Μόλις ενεργοποιηθεί η μονάδα Blue Lagoon UV-C Timer, το πρόγραμμα διεξάγει έναν αυτοέλεγχο. Η οθόνη θα εμφανίσει αυτόματα τα παρακάτω, το ένα μετά το άλλο: 8888 (δοκιμή οθόνης) ; r και αριθμός έκδοσης λογισμικού ; ένδειξη 50H ή 60H της συχνότητας ρεύματος Μετά από αυτό, η οθόνη θα εμφανίσει την ένδειξη του μετρητή.

Όταν η λυχνία UVC ενεργοποιηθεί για πρώτη φορά ή μετά τη χρήση της λειτουργίας “μηδενισμός”, εμφανίζεται στην οθόνη η τιμή “4500”. Αναβοσβήνει μία κουκκίδα δίπλα στο ψηφίο στο δεξιά άκρο της οθόνης. Αυτή υποδεικνύει ότι λειτουργεί ο μετρητής. Η οθόνη ρυθμίζεται αυτόματα στην εργοστασιακή ένδειξη των 4.500 ωρών. Η λυχνία UV-C λειτουργεί σε ακτινοβολία 100% για έως 4.500 ώρες. Μετά από 4.500 ώρες, η ακτινοβολία θα εξασθενήσει και μπορεί να καταστεί ανεπαρκής για τα επιθυμητά αποτελέσματα. Αν η λυχνία UV-C έχει ήδη χρησιμοποιηθεί παλαιότερα και απενεργοποιείται ξανά, τότε η οθόνη θα υποδεικνύει την τιμή που είχε τη στιγμή της παλαιότερης απενεργοποίησης. Αν αυξήσετε ή μειώσετε την τιμή του χρονομέτρου εσείς οι ίδιοι, τότε η οθόνη θα υποδεικνύει την τελευταία ένδειξη του χρονομέτρου πριν από την απενεργοποίησή του. Οι ρυθμίσεις του χρονομέτρου μπορούν να τροποποιηθούν, αν το επιθυμείτε. Αυτή η ενέργεια εκτελείται ως εξής: Αφού κρατήσετε πατημένο το διακόπτη (R) κάτω από την οθόνη για 5 δευτερόλεπτα, η οθόνη θα εμφανίσει την ένδειξη “rSt”, για να υποδείξει ότι έχει επιλεγμένο το μενού χρήστη. Μόλις απελευθερωθεί ο διακόπτης (R), η ένδειξη του μετρητή και η ένδειξη “rSt” αναβοσβήνουν διαδοχικά στην οθόνη. Πατώντας ξανά για μικρό χρονικό διάστημα το διακόπτη, μπορείτε να μετακινήσετε στις επιλογές μενού. Υπάρχουν 3 διαθέσιμες επιλογές ρύθμισης στο μενού: “rSt” “UP” και “dn”.

- **“rSt”** σημαίνει (μηδενισμός): Αυτή η επιλογή σας δίνει τη δυνατότητα να μηδενίσετε την ένδειξη του μετρητή στην εργοστασιακή ρύθμιση των 4.500 ωρών.

Αυτή η επιλογή επιβεβαιώνεται αν αναβοσβήσουν διαδοχικά η ένδειξη του μετρητή και η ένδειξη “rSt” στην οθόνη. Αν κρατήσετε πατημένο το διακόπτη (R) για 5 δευτερόλεπτα, μετά από τα οποία θα εμφανιστεί η ένδειξη μετρητή 4500 και έπειτα τον απελευθερώσετε, το χρονόμετρο θα ξεκινήσει την αντίστροφη μέτρηση από την τιμή των 4.500 ωρών. Αυτή η επιλογή χρησιμοποιείται αν, για παράδειγμα, έχετε αντικαταστήσει τη λυχνία ή έχετε τροποποιήσει εσείς οι ίδιοι την ένδειξη του χρονόμετρου και θέλετε να επαναφέρετε τις εργοστασιακές ρυθμίσεις.

- **“UP”** σημαίνει (επάνω): Αυτή η επιλογή σας δίνει τη δυνατότητα να αυξήσετε την ένδειξη του μετρητή στην ένδειξη ωρών που επιθυμείτε. Αυτή η επιλογή επιβεβαιώνεται αν αναβοσβήσουν διαδοχικά η επιλεγμένη ρύθμιση χρήστη “UP” και η ένδειξη του μετρητή στην οθόνη. Μετά από αυτό, κρατήστε πατημένο το διακόπτη (R) για 5 δευτερόλεπτα. Μετά από 5 δευτερόλεπτα, η οθόνη εμφανίζει μόνο την ένδειξη “UP”. Τότε μπορείτε να απελευθερώσετε το διακόπτη.

Πατώντας για μικρό χρονικό διάστημα το διακόπτη, η τιμή του μετρητή μπορεί τώρα να αυξάνεται ανά 500 ώρες σε σχέση με την τιμή των 4500 με μέγιστη τιμή τις 9999. Η αυξημένη τιμή και η ένδειξη “UP” αναβοσβήνουν διαδοχικά στην οθόνη.

Αφού επιλέξετε την επιθυμητή ένδειξη ωρών, περιμένετε 10 δευτερόλεπτα. Μετά από 10 δευτερόλεπτα, θα εμφανιστεί η επιλεγμένη ένδειξη ωρών και θα ξεκινήσει η αντίστροφη μέτρηση του χρονοδιακόπτη.

Αν κάνετε κάποιο λάθος κατά την αύξηση της ένδειξης του μετρητή, μπορείτε να μηδενίσετε το μετρητή στις 4500, κρατώντας πατημένο το διακόπτη για 5 δευτερόλεπτα. Η τιμή μετρητή θα μηδενιστεί έπειτα στις 4500 και μπορείτε να ρυθμίσετε μια νέα τιμή.

- **“dn”** σημαίνει (κάτω): Αυτή η επιλογή σας δίνει τη δυνατότητα να μειώσετε την ένδειξη του μετρητή στην ένδειξη ωρών που επιθυμείτε. Αυτή η επιλογή επιβεβαιώνεται αν αναβοσβήσουν διαδοχικά η επιλεγμένη ρύθμιση χρήστη “dn” και η ένδειξη του μετρητή στην οθόνη. Μετά από αυτό, κρατήστε πατημένο το διακόπτη (R) για 5 δευτερόλεπτα. Μετά από 5 δευτερόλεπτα, η οθόνη εμφανίζει μόνο την ένδειξη “dn”. Τότε μπορείτε να απελευθερώσετε το διακόπτη.

Πατώντας για μικρό χρονικό διάστημα το διακόπτη, η τιμή του μετρητή μπορεί τώρα να μειώνεται ανά 500 ώρες σε σχέση με την τιμή των 4500 με κατώτερη τιμή τις 0000. Η μειωμένη τιμή και η ένδειξη “dn” αναβοσβήνουν διαδοχικά στην οθόνη.

Μόλις επιλέξετε την επιθυμητή ένδειξη ωρών, περιμένετε 10 δευτερόλεπτα. Μετά από 10 δευτερόλεπτα, θα εμφανιστεί η επιλεγμένη ένδειξη ωρών και θα ξεκινήσει η αντίστροφη μέτρηση του χρονοδιακόπτη.

Αν κάνετε κάποιο λάθος κατά τη μείωση της ένδειξης του μετρητή, μπορείτε να μηδενίσετε το μετρητή στις 4500, κρατώντας πατημένο το διακόπτη για 5 δευτερόλεπτα. Η τιμή μετρητή θα μηδενιστεί έπειτα στις 4500 και μπορείτε να ρυθμίσετε μια νέα τιμή.

Το χρονόμετρο υποδεικνύει ότι απαιτείται αντικατάσταση της λυχνίας με τον παρακάτω τρόπο:

- Στη θέση ώρας 0672, η οθόνη αναβοσβήνει κάθε δευτερόλεπτο. Η λυχνία πρέπει να αντικατασταθεί σε διάστημα 4 εβδομάδων.
- Στη θέση ώρας 0336, η οθόνη αναβοσβήνει κάθε μισό δευτερόλεπτο. Η λυχνία πρέπει να αντικατασταθεί σε διάστημα 2 εβδομάδων.
- Στη θέση ώρας 0168, η οθόνη αναβοσβήνει κάθε ¼ του δευτερολέπτου. Η λυχνία πρέπει να αντικατασταθεί σε διάστημα 1 εβδομάδας.
- Στη θέση ώρας 0000, τα ψηφία αναβοσβήνουν συνεχώς και ο μετρητής διακόπτει την αντίστροφη μέτρηση. Η λυχνία πρέπει να αντικατασταθεί.

Αποσυναρμολόγηση / Συντήρηση

Να απενεργοποιείτε πάντα την τροφοδοσία ρεύματος κατά τη διάρκεια της συντήρησης/αποσυναρμολόγησης της συσκευής.

Η συσκευή πρέπει να καθαρίζεται δύο φορές ετησίως. Εάν υπάρχει αύξηση των φυκιών ή/και κλιμάκωση, τότε πρέπει να καθαρίζεται ο σωλήνας γυαλιού χαλαζία (M) στον οποίο βρίσκεται η λυχνία. Η ειδική λυχνία πρέπει να αντικαθίσταται το αργότερο μετά από 9.000 ώρες λειτουργίας. Το εσωτερικό από ανοξείδωτο χάλυβα πρέπει να καθαρίζεται με μια μαλακή βούρτσα.

1 Ξεβιδώστε τους συζεύκτες τριών στοιχείων (I) και αποστραγγίστε το νερό από τη συσκευή.

2 Ξεβιδώστε το βιδωτό καπάκι (N) και αποσυνδέστε τη λυχνία (K) από τη βάση λυχνίας (L). Αφαιρέστε τη λυχνία από το γυαλί χαλαζία και, αν είναι απαραίτητο, αντικαταστήστε την ειδική λυχνία (K). Επειδή αυτά τα μέρη είναι πολύ εύθραυστα, απαιτείται προσοχή.

3 Αφαιρέστε προσεκτικά το γυαλί χαλαζία (M) με ένα μεγάλο πλακέ κατσαβίδι (**ανατρέξτε στο σχέδιο 3**). Μην ασκείτε ποτέ δύναμη!

4 Καθαρίστε το γυαλί χαλαζία με κατάλληλο διάλυμα. Χρησιμοποιείτε πάντα ένα μαλακό πανί για τον καθαρισμό του γυαλιού, για να μην το γρατσουνίσετε.

5 Προσέξτε τη σωστή θέση των 3 δακτυλίων σφράγισης (P) κατά την αντικατάσταση του γυαλιού χαλαζία στο περιβλήμα και συμπεριλάβετε προσεκτικά το άκρο του γυαλιού χαλαζία στην εισαγωγή (Q) (**ανατρέξτε στο σχέδιο 4**). Μην ασκείτε ποτέ δύναμη!

- 6 Τοποθετήστε ξανά προσεκτικά τη λυχνία στο γυαλί χαλαζία και συνδέστε τη λυχνία (**K**) στη βάση λυχνίας (**L**). Βιδώστε ξανά το βιδωτό καπάκι (**N**) στο περίβλημα.
- 7 Η ηλεκτρική μονάδα της συσκευής βρίσκεται στο κουτί οθόνης (**S**) της συσκευής. Αυτό το κουτί οθόνης είναι κολλημένο και δεν είναι δυνατό να ανοιχτεί. Εάν αντικατασταθεί η ηλεκτρική μονάδα ή η οθόνη, ολόκληρο το κουτί πρέπει να ξεβιδωθεί και να αποσυνδεθεί η καλωδίωση από τη συσκευή (**ανατρέξτε στο σχέδιο 1**). Ξεβιδώστε το επάνω βιδωτό μέρος (**N**) και αφαιρέστε προσεκτικά τη βάση λυχνίας από τη λυχνία. Τα τυχόν χαλαρά μέρη, π.χ. της γείωσης κ.λπ., πρέπει να φυλάγονται προσεκτικά, καθώς δεν παρέχονται με νέο περίβλημα ή ηλεκτρική μονάδα. Σε περίπτωση αμφιβολιών σχετικά με τη σύνδεση, επικοινωνήστε με αναγνωρισμένο εγκαταστάτη.
- 8 Αν πρέπει να αντικατασταθεί το περίβλημα, η γείωση (**J**) και η ηλεκτρική μονάδα με την οθόνη (**S**) πρέπει πρώτα να αποσυνδεθούν από το περίβλημα (**U**) (**ανατρέξτε τα σχέδια 1 & 2**). Ξεβιδώστε την ηλεκτρική μονάδα με την οθόνη (**S**) και τη βάση της λυχνίας από το περίβλημα. Φροντίστε να φυλάξετε προσεκτικά τα διάφορα χαλαρά μέρη της γείωσης, επειδή δεν παρέχονται μαζί με το νέο περίβλημα. Αφαιρέστε τη λυχνία (**K**) και το γυαλί χαλαζία (**M**) από το περίβλημα, για να μην σπασουν κατά τη μεταφορά. Σε περίπτωση αμφιβολιών σχετικά με τη σύνδεση, επικοινωνήστε με αναγνωρισμένο εγκαταστάτη.

Τεχνικές προδιαγραφές

	40.000 l	75.000 l
• Λυχνία Philips TUV T5	40 Watt	75 Watt
• Απόδοση UV-C (W)	15 Watt	25 Watt
• UV-C (%) μετά από 4.500 ώρες	85%	80%
• UV-C (%) μετά από 9.000 ώρες	0%	0%
• Περιεκτικότητα πισίνας (l)	40.000 l	75.000 l
• Μέγ. διέλευση	20.000 l/h	25.000 l/h
• Μέγ. πίεση	3 bar	3 bar
• Μέγ. θερμοκρασία	35°C	35°C
• Ελάχ. θερμοκρασία	0°C	0°C
• Μέγεθος σύνδεσης	Ø63 mm/Ø50 mm	Ø63 mm/Ø50 mm
• Μήκος της συσκευής	100 cm	100 cm

Τύποι συστημάτων UV-C

Κωδικός: B210002 Blue Lagoon UV-C Timer 40,000 l / 40 Watt (230V, 50/60Hz)

Κωδικός: B210003 Blue Lagoon UV-C Timer 75,000 l / 75 Watt (230V, 50/60Hz)

Λυχνίες αντικατάστασης

Κωδικός: E800901 Philips Τύπος λυχνίας TUV 36T5 4P-SE (40 Watt)

Κωδικός: E800902 Philips Τύπος λυχνίας TUV 36T5 HO 4P-SE (75 Watt)

Όροι εγγύησης

Η εγγύηση αυτού του προϊόντος καλύπτει κατασκευαστικά σφάλματα για 24 μήνες από την ημερομηνία αγοράς. Η λυχνία και το γυαλί χαλαζία δεν συμπεριλαμβάνονται σε αυτήν την εγγύηση. Αξιώσεις βάσει της εγγύησης είναι δυνατές μόνο αν το προϊόν επιστραφεί με πληρωμή των τελών αποστολής και έγκυρη απόδειξη αγοράς. Οι επισκευές εντός της εγγύησης επιτρέπεται να εκτελούνται μόνο από τον προμηθευτή. Δεν αναγνωρίζονται αξιώσεις εγγύησης που προκαλούνται από λάθη εγκατάστασης ή χρήσης της συσκευής. Τα ελαττώματα που προκύπτουν από ανεπαρκή συντήρηση δεν καλύπτονται επίσης από την εγγύηση. Ο προμηθευτής δεν θεωρείται σε καμία περίπτωση υπεύθυνος για οποιαδήποτε ζημία που προκαλείται από κακή χρήση του προϊόντος. Ο προμηθευτής δεν φέρει ευθύνη για επακόλουθες ζημιές που προκαλούνται από την κατάρρευση της συσκευής. Αναγνωρίζονται ενστάσεις σχετικά με ζημιές από την μεταφορά μόνο αν η ζημία αναγνωρίστηκε ή επιβεβαιώθηκε κατά την παράδοση από τον μεταφορέα ή τις ταχυδρομικές αρχές. Είναι δυνατές τυχόν αξιώσεις ως προς τον μεταφορέα ή τις ταχυδρομικές αρχές, αν έχει συμβεί το παραπάνω.

Cihazı monte etmeden önce kullanım kılavuzunu dikkatlice okuyunuz.

İşlevi

Blue Lagoon UV-C Timer UV-C ışınları 253,7 nm dalga uzunluğunda özel bir Philips UV lambasıyla realize edilmekte olup, bakterileri öldürücü özelliğine sahiptir (bu durum ciğer hastalığına sebep olan tehlikeli [Legionella] bakterisi içinde geçerlidir). Blue Lagoon UV-C Timer çok yararlı olduğu kadar suyun doğaya zarar vermemek, serin ve berrak olmasını sağlamaktadır. Suyun UV-C pompası vasıtasıyla cihazdan geçmesi sağlanıyor. UV-C ışınları bakterileri, virüs ve diğer zararlı organizmaları nötral hale getirip genişlemesini önlemektedir. Blue Lagoon UV-C Timer bünyesinde yüksek teknolojiyle üretilmiş elektronik bir ballast bulundurmaktadır. Bu ballast elektrikteki dalgalanmaları dengeleyerek lambayı korumaktadır. Cihaz ayrıca gene bünyesinde bulundurduğu bir sayaç sayesinde kaç saat kullanıldığını/yandığını en ayrıntılı şekilde göstermektedir. Ne zaman lambanın değişmesi gerektiğini görebilirsiniz. Ayrıca RVS iç kısmı UV-C ışınlarının refleksiyonunu sağlamak suretiyle elde edilen verimi % 30 kadar arttırmaktadır. Blue Lagoon UV-C Timer sayesinde suyunuz en etkin ve emniyetli bir şekilde dezenfekte edilmekte ve mükemmel bir su kalitesi ortaya çıkarmaktadır.

UV-C uygulamasının avantajları:

- Suyun serin, temiz ve berrak olmasını sağlar
- Suyu etkin ve emniyetli bir şekilde dezenfekte eder
- UV-C ışınları birleşmiş klorları kırar
- Havuzunuzu hastalığa neden olan Mikro organizmalardan korur
- Mantar-, bakteri ve yosun oluşmasına karşı kontrol altında tutar
- Klor ve diğer kimyasalların kullanımını % 80 azaltır
- Göz ve cilde olumsuz etki eden klor havasını önler (kızarıklık gözler)
- Bilinen metotlara karşın, iklim ve doğa için daha yararlıdır

Blue Lagoon UV-C Timer'in avantajları:

- Dengeli elektrik akımını sağlamak amacıyla içine yerleştirilmiş elektronik bir ön kapatma cihazı bulunmaktadır.
- Refleksiyondan kaynaklanan % 35 daha fazla UV-C getirisi vardır
- Bir UV-C Philips lambası 9000 saat yanma süresine sahiptir
- UV-C bünyesinde ayarlanabilen bir saat sayacı bulundurmaktadır
- Lambanın değişme zamanının geldiğini dijital sayaç göstermektedir
- 316L paslanmaz çelik gövdeye sahiptir
- Basit şekilde montaj ve bakımı yapılabilir
- Fabrika hatalarına karşı 2 yıl garantilidir.
- Toprak hattına sahiptir
- Ø 63mm'den Ø 50mm'ye kadar olan parçalar beraberinde verilmektedir.

Emniyet

Bu cihaz zararlı ışınlar üretmektedir. Direk kontak göz ve cilt için tehlike yaratabilir.

UV-C lambasının kontrol etme işlemlerini sadece ünitenin transparan bölümlerinde yapın.

- Bakım veya tamirat çalışmalarına başlamadan önce her zaman itibarıyla mutlaka fişi prizden çekiniz. Suyun içinde bulunuyorsanız veya elleriniz ıslaksa hiçbir zaman fişi prize sokmayın / çıkarmayın.
- Çocukları cihazdan ve kablodan uzak tutun.
- Cihaza ait kablo değiştirilebilir değil. Elektrik kablosunun zarar görmesi durumunda cihazın tüm elektrik aksamının değiştirilmesi gerekmektedir. Hiçbir zaman kabloyu/fişi değiştirmeyin ve elektrik aksamına dokunmayın. Elektrik bölümünde kesilmiş bir fiş garanti kapsamında tutulmamaktadır.
- Cihazı hiç bir şekilde güneşin çok yoğun olduğu bir ortamda monte etmeyin.
- Her zaman için lambanın yanması durumunda, uniteden suyun akıyor olmasını sağlayın.
- Cihazı kapattıktan sonra lamba yaklaşık 10 dakika boyunca sıcak kalacaktır.
- Cihaza ait parçaların zarar görmesi durumunda (özellikle çeyrek cam) cihazı kullanmayın.
- Kış aylarında, donma tehlikesine karşı, cihazı yerinden çıkartın.
- Cihazın paslanmaz çelik bünyesi, yüksek tuz oranı taşıyan havuzlar için uygun değildir. Çok yüksek tuz oranı, çelikte oksitlenmeye sebep olmakta ve bu da çelik bünyenin zarar görmesine yol açmaktadır.
- Bu ürün sadece kullanım kılavuzunda belirttiği şekilde kullanılmaktadır.

Toprak hattı kablosunun montajı (Resim 1)

- 1 Plastik Dağıtım yerinden önce [çekici gücün dağıtıldığı yer/trekontlasting] (F) toprak hattı pirizine (A) monte ederek önce kabloyu (B) çekici gücün dağıtıldığı bölgeden (F) alın. [Trekontlasting]'i (F) yaklaşık olarak gözden 10 cm uzaklıkta (H) toprak hattı kablodan (B).
- 2 Gözü yerleştirin (H) kabloyu (B) ise toprak hattı pirizindeki (A) donanıma bağlı olan kısma.
- 3 Daha sonra dişi zinciri yerleştirin (C), altı köşeli somun (D) ve tekrar dişi zinciri (E) göze yerleştirin (H).
- 4 [Trekontlasting]'i takın (F) yukarıya takarak Ø 5cm'lik bir alan oluşmasını sağlayın.
- 5 Son olarak emniyet somunu (G) toprak hattına (A) yerleştirin.
- 6 Değişik somunlar doğru sıralamayla toprak hattına (A) 8 no'lu parça veya yüüük anahtar vasıtasıyla yerleştirilerek sıkıştırılması gerekmektedir. Tamamen sıkıştırmak suretiyle yalama yapmasını ise önleyiniz, çünkü bu durumda [trekontlasting] yırtılabilir. Cihazla birlikte verilen toprak hattı fişi transparan somunu (A) vidalanmış olan bu somun başka bir işlevi olmadığından atılabilir).

Cihazın montajı (Resim 2)

Blue Lagoon UV-C timer hiçbir zaman direk PH ayarlayıcı sonrası veya havuz teçhizatı tuz elektrolize sisteminden önce monte etmeyin. Cihazı monte edeceğiniz en uygun yer, hemen filitre sonrasıdır. Cihazı hiç bir şekilde suyun altına daldırmayın. Montaj işleminin her zaman için havuzun dışında yapılması gerekmektedir. Gene her zaman lamba yandığında ünite de su dolaşımının gerçekleşmesini sağlayın.

- 1 Cihazı monte etmek için en doğru pozisyona getirin. Lamba mesafesinin yeterli olmasına (+/- 1 mtr.) özen gösterin (K)/ çeyrek cam (M) değiştirme ve/veya bakım esnasında çıkartın.
- 2 Beraberinde verilen boru bağlantılarını (O) belirli bir yerde monte edin, üniteyi boru bağlantılarına sabitleyin ve üç bölümlü başlığı (I) çevirmek suretiyle sıkıştırın. Bu arada kapatma yüzüklerinin pozisyonuna (P) hem bağlantılarda hem de çeyrek camda dikkat edin. (2. Resime bakınız).
- 3 Üniteyi üç başlı (I) parça vasıtasıyla çemberin içine yerleştirin. Üçlü başlığın iç ve çıkış kısmı Ø 63 mm. Teçhizatın 63 mm den daha küçük olması durumunda (Ø 63 x Ø 50 mm) (T) uzantısını kullanabilirsiniz. Bunu üç bölümlü başlığa (I) yapıştırmamız gerekmektedir. Uzantının iç kısmının (T) bir tarafında bir vida dişi bulunmakta, bunun görevi kapatma bağlantısı dahil olmak üzere (bunlar beraberinde verilmemektedir) muhtemel montaj imkanı sağlamaktadır. Uzantı setleri için dağıtıciya başvurulabilirsiniz (artikel numarası B290020).
- 4 Civata bağlantısını döndürmek (N) suretiyle bünyesinden çıkartın (U). UV-C lambasını (K) beraberinde verilen yuvasından çıkartın (ambalaja bakınız) ve lambayı dikkatlice çeyrek camın içine yerleştirin (M). Beyaz lamba yuvasını (L) dikkatlice UV-C lambasına (K) yerleştirin ve sonrasında ise civata bağlantısını/çemberini (N) elinizle gövdeye yeleştirin (U).
- 5 Pompayı çalıştırın ve sistemdeki akıntı ve sızıntıyı kontrol edin.
- 6 UV-C cihazının fişini topraklama şalteri olan bir duvar prizine takınız. Cihazın transparan bölümlerinde lambanın yanıp yanmadığını kontrol ediniz..

Dijital saat sayacının kullanımı

Blue Lagoon UV-C Timer işleme koyulduğunda, program kendini test ediyor. Ekranda şu indikasyonlar otomatik olarak arka arkaya görüntüleniyor : 8888 (display test) ; r ve software versiyon numarası ; 50H veya 60H net frekansının indikasyonu Sonrasında ise display sayaç pozisyonuna geçiyor.

Şayet UVC lambası ilk defa açıldıysa veya "reset" fonksiyonu kullanıldıktan sonra kullanıldıysa, ilk önce display/ekranda 4500 değerini göreceksiniz. Display'in sağ tarafında her saniye yanıp sönmesiyle sayacın anlıyorsunuz.

Sayaç otomatik olarak fabrika tarafından ayarlandığı 4500 standında durmaktadır. 4500 saate kadar UV-C lambası % 100 oranında ışın vermektedir. 4500 saatten sonra ise ışınlarda zayıflama olacağından, bu durum istenilen sonucu vermede yetersiz kalabilir.

Şayet UVC lambası daha uzun kullanılmış ve daha önceden işleme konulduysa, tekrar açtıktan sonra UV-C lambasının kapanmadan önceki veriyi gösterecektir. Şayet sayacı kendinizin yükseltmesi veya düşürmesi durumunda son sayaç durumu, kapanmadan önceki veriyi gösterecektir.

Arzu edilmesi durumunda sayaç ayarlarını değiştirebilirsiniz. Bunu şu şekilde yapıyorsunuz:

5 saniye sonra şalteri basılı tutmakla (R) display'in altında "rSt" görüntülenmesiyle menü kullanım indikasyonu devreye girer. Şalteri bıraktığınız durumda (R) sayaç pozisyonu yanıp söner ve "rSt" değişerek display de gözüktür. Sonrasında ise şalteri kısa bir süre basılı tutarak menü basamaklarını görürsünüz. Menü de 3 adet ayarlama olanağı bulunmaktadır "rSt" "UP" ve "dn".

- **"rSt"** (reset/silme) anlamına gelmektedir: bununla birlikte sayaç pozisyonunu 4500 saat olan fabrika ayarlarına geri getiriyorsunuz. Bu ayar "rSt" nin display de yanıp sönmeyeyle teyid edilmiş olmaktadır. Şayet şalteri (R) 5 saniye tutmanız durumunda sayaç 4500 pozisyonuna gelmektedir, daha sonra bıraktığınızda sayaç tekrar 4500 saatten geriye doğru saymaya başlıyor. Bu seçeneği örneğin lambayı değiştirmeniz veya sayaç pozisyonunu kendinizin değiştirmesi ve tekrar fabrika ayarlarına getirmezsiniz durumunda söz konusu olabilir.

- **"UP"** (up/yukarı) anlamına gelmektedir: sayaç pozisyonu bu şekilde sizin tarafınızdan arzu edilen saat ayarına yükseltilebilir. Bu sistem seçilmiş kullanım ayarları "UP" ve display sayacının değişik şekilde yanıp sönmeyeyle sabitlenmiş olmaktadır. Bundan sonra şarteli (R) 5 saniye basılı tutmanız gerekmektedir. Display de 5 saniye sonra sadece "UP" görüntüsü kalmaktadır. Daha sonra şalteri bırakmanız gerekmektedir.

Şalterin kısa süreli basılı tutulması durumunda sayaç değeri 4500 den 500 saat şeklinde maksimum 9999'a ulaşabilir. Yükselmiş değerleri display'de yanıp sönen "UP" şeklinde görebilirsiniz.

Şayet istenilen saati ayarladıysanız 10 saniye bekliyorsunuz. 10 saniye sonra ayarlanan saat otomatik olarak ekrana geliyor ve geri sayım başlıyor.

Örneğin saat ayarını yükseltirken bir yanlışlık yapmanız durumunda şalteri 5 saniye basılı tutarak, sayacı tekrar 4500'e geri getirebilirsiniz. Sayaç değeri 4500'e geri reset oluyor ve bu durumda tekrar yeni saat ayarlaması yapabilirsiniz.

- **"dn"** (down/aşağı) anlamına gelmektedir: bununla birlikte sayaç ayarı istediğiniz saat ayarına indirilebilir.

Bu ayarlamada "dn" ayarının seçilmesi durumunda ve sayacın ekranda yanıp sönmeyeyle teyid edilmiş olmaktadır. Sonrasında ise şalteri (R) 5 saniye basılı tutmak gerekmektedir. 5 saniye sonrasında display de sadece "dn" gözükecektir. Bu durumda şalteri bırakmanız gerekmektedir. Şalterin kısa süreli basılı tutulması durumunda sayaç değeri 4500 den 500 saatlik değerler şeklinde minimum değer olan 0000'a düşmüş olacaktır. Alçalmış değerleri display'de yanıp sönen "dn" şeklinde görebilirsiniz.

Şayet istenilen saati ayarladıysanız 10 saniye bekliyorsunuz. 10 saniye sonra ayarlanan saat otomatik olarak ekrana geliyor ve geri sayım başlıyor.

Örneğin saat ayarını düşürürken bir yanlışlık yapmanız durumunda şalteri 5 saniye basılı tutarak, sayacı tekrar 4500'e geri getirebilirsiniz. Sayaç değeri 4500'e geri reset oluyor ve tekrar yeni saat ayarlaması yapabilirsiniz.

Sayaç göstergesi şu şekilde lambanın değişmesi gerektiğini gösteriyor:

- 0672 saat ayarından itibaren; display her saniye yanıp söner. Bu durumda lambanın 4 hafta sonra değişmesi gerekmektedir.
- 0336 saat ayarından itibaren; display her yarım saniye yanıp söner; Bu durumda lambanın 2 hafta sonra değişmesi gerekmektedir.
- 0168 saat ayarından itibaren; display her ¼ saniye yanıp söner; Bu durumda lambanın 1 hafta sonra değişmesi gerekmektedir.
- 0000 saat ayarından itibaren; rakamlar hızlı yanıp sönmeye başlar ve sayaç artık geriye saymaz. Lambanın hemen değişmesi gerekmektedir.

Demontaj / Bakım ve onarım

Cihazın bakım / demontaj işlemlerinde elektrik akımını her zaman itibarıyla kapatın.

Cihazın yılda 2 kez temizlenmesi gerekmektedir. Yosun ve/veya kireçlenme de artış olması durumunda, yuvanın (M) içine koyulan çeyrek camların temizlenmesi gerekmektedir. Bu özel lamba en geç 9.000 saat kullanımdan sonra değişmelidir. RVS iç kısmının ise yumuşak bir fırçayla temizlenmesi gerekmektedir.

- 1 Üç başlı kavramayı (I) gevşetin ve suyun cihazdan akmasını sağlayın.
- 2 Cıvata bağlantısından (N) ve lambayı (K) yuvasından çıkartın (L). Lambayı çeyrek camdan alın ve gerektiğinde ise bu özel lambayı değiştirin (K). Hassas bölümler sözkonusu olduğu için çok dikkatli olunması gerekmektedir.
- 3 Çeyrek camı dikkatli bir şekilde (M) büyük ve düz bir tornavida vasıtasıyla çıkartın (**Resim 3'e bakınız**). Hiç bir şekilde force etmeyin!
- 4 Çeyrek camı bunun için uygun olan bir madde ile temizleyin. Her zaman yumuşak bir bez kullanın, çizilmeyi önleyin.
- 5 Çeyrek camı kapatma yüzükleriyle doğru pozisyonda tekrar yerleştirilmesinde dikkatli olunması gerekmektedir (P) ve sonuç itibarıyla çeyrek camı dikkatli bir şekilde yuvasına koyunuz (Q) (**resim 4'e bakınız**). Hiç bir zaman force etmeyiniz!
- 6 Lambayı dikkatlice tekrar çeyrek camın içine yerleştirin ve lambayı (K) yuvasına (L) sabitleyin. Cıvata tekrar (N) takarak gövdeye yerleştirin.
- 7 Cihazın elektrik bölümü cihazın display kutusunda (S) bulunmaktadır. Bu display kutusu tamamen yapılandırılmış olup açılması mümkün değildir. Elektrik bölümünün veya display'in değiştirilmesi durumunda tüm kutunun çıkartılması gerektiği gibi kabloları da cihazdan çıkarmak gerekir (**1. resime bakınız**). Cıvata bağlantısını gevşetin (N) ve lambayı yuvasından dikkatlice çıkartın. Topraklama ve benzeri parçaların çok iyi saklanmasına dikkat ediniz. Bunlar yeni gövde veya elektrik bölümüyle birlikte verilmemektedir. Bu işlemlerde olası muhtemel bir şüphe durumunda mutlaka uzman bir techieza danışın.

8 Gövdenin değişmesi gerektiğinde, topraklama (J) ve display'li elektrikli bölümün (S) ilk önce gövdeden (U) çıkartılması gerekmektedir (1 & 2. resimlere bakınız). Display deki elektrikli bölümü (S) gövde deki lamba yuvasından çıkartın. Topraklama ve benzeri parçaların çok iyi saklanmasına dikkat ediniz. Bunlar yeni gövdeyle birlikte verilmemektedir. Lambayı çıkartın (K) ve çeyrek camı (M) nakliye esnasında olası bir kırılmaya karşı gövdesinden çıkartın. Bu işlemlerde olası muhtemel bir şüphe durumunda mutlaka uzman bir teçhizatçıya danışın.

Teknik veriler	40.000 L	75.000 L
• Philips TUV T5 lambası	40 Watt	75 Watt
• UV-C (W) çıkışı	15 Watt	25 Watt
• UV-C (%) 4.500 saat sonra	85%	80%
• UV-C (%) 9.000 saat sonra	0%	0%
• Yüzme havuz hacmi (L.)	40.000 L	75.000 L
• Max. Akım	20.000 l/h	25.000 l/h
• Max. Basınç	3 bar	3 bar
• Max. Derece	35°C	35°C
• Min. Derece	0°C	0°C
• Bağlantı	Ø63mm/Ø50mm	Ø63mm/Ø50mm
• Cihazın uzunluğu	100cm	100cm

UV-C tipi sistemler

Artikel numarası: B210002 Blue Lagoon UV-C Timer 40.000L / 40 Watt (230V; 50/60Hz)

Artikel numarası: B210003 Blue Lagoon UV-C Timer 75.000L / 75 Watt (230V; 50/60Hz)

Değiştirilen lamlalar

Artikel numarası: E800901 Philips tipi lamba TUV 36T5 4P-SE (40 Watt)

Artikel numarası: E800902 Philips tipi lamba TUV 36T5 HO 4P-SE (75 Watt)

Garanti şartları

Bu ürün ile harika bir seçim yaptınız. Cihaz dikkatli bir şekilde ve uygulanabilir bütün emniyet kriterleriyle donatılmıştır. Kalitenin korunması adına üretici firma en yüksek standart parçaları kullanmıştır. Yetkili şirket, cihazın satıldığı tarihten itibaren 2 yıl boyunca materyal- ve fabrika hatalarına karşı garanti sunmaktadır. Çeyrek camın içinde bulunan lamba ise garanti dışında kalmaktadır. Garanti durumları sadece ürünün franco olarak geri gönderilmesiyle ve satın alındığını gösteren belgeyle mümkün olmaktadır. Montaj- ve uygulama hataları, uzmanlardan yararlanılmaması, emniyet kriterlerine uyulmaması, bakım işlemlerinin gerektiği gibi yapılmaması, zarar verilmesi, aynı şekilde teknik değişikliklerin yapılması durumunda garanti haklarından yararlanma sözkonusu değildir. Ürünü satan firma cihazın tamirinin yapılması veya tamamen değiştirilmesinde tek yetkilidir. Devamında ortaya çıkan zararlar garanti kapsamı dışında kalır. Transport dan kaynaklanan zararlar sadece teslimat esnasında tespit edilmesi durumunda veya taşıyıcı firmanın bunu kabulmesi durumunda ödenebilir. Bu durumda zararın karşılanması için taşıyıcı veya posta firmasına başvuru yapılması gerekmektedir.

Lees hierdie gebruiksaanwysing aandagtig alvorens hierdie toestel te installeer.

Werking

In die Blue Lagoon UV-C Tydreëlaar word 'n UV-C straling gegeneer van 253,7 nm golflengte deur die spesiale Philips UV lamp, wat sorg vir 'n dodende werking op bakterieë (o.a. die legionella bakterie). Die Blue Lagoon UV-C Tydreëlaar sorg op 'n doeltreffende en omgewingsvriendelike wyse vir skoon, vars en helder water. Die water word d.m.v. 'n pomp deur die UV-C toestel gevoer. Die UV-C straling neutraliseer bakterieë, virusse en andere primitiewe organismes en stop die voortplanting daarvan. Die Blue Lagoon UV-C Tydreëlaar het 'n ingeboude hoëfrekwensie elektroniese ballas. Hierdie ballas vang stroomskommelings op en beskerm hiermee die lamp. Ook bevat die toestel 'n geïntegreerde uurteller wat noukeurig die aantal brandure aanteken. U kan presies sien wanneer die lamp moet vervang word. Bowendien sorg die vlekvrystaal binnekant vir refleksie van die UV-C straling waardeur die doeltreffendheid met tot 35% vergroot word. Danksy die Blue Lagoon UV-C Tydreëlaar sal u water op 'n doeltreffende en veilige wyse gedisinfecteer word en behou u 'n uitstekende waterkwaliteit.

Voordele van UV-C behandeling:

- Sorg vir vars, skoon en helder water
- Disinfecteer water op 'n doeltreffende en veilige manier
- UV-C lig breek gebonde chloor af
- Beskerm u swembad teen siektekieme
- Hou die vorming van skimmel, bakterieë en alge onder beheer
- Kan die gebruik van chloor en ander chemikalieë tot 80% verminder
- Voorkom chloorlug en irritasie aan huid en oë (rooi oë)
- Beter vir die omgewing in vergelyking met tradisionele metodes

Voordele van Blue Lagoon UV-C Tydreëlaar:

- Ingeboude elektroniese voorskakeltoestel, vir 'n gelykmatige stroomvoorsiening.
- Tot 35% meer UV-C opbrengs deur refleksie
- Bevat 'n Philips UV-C lamp met 9000 brandure
- Geïntegreerde verstelbare uurteller vir die UV-C lamp
- Gee digitaal aan wanneer die lamp moet vervang word
- 316L vlekvrystaal omhulsel
- Eenvoudige installering en onderhoud
- 2 jaar waarborg op fabrieksfoute
- Is geaard
- Verloopstukke Ø 63 mm na Ø 50 mm word voorsien

Veiligheid

Hierdie toestel produseer skadelike straling. Direkte kontak kan gevaar oplewer vir oë en huid.

Kontroleer die werking van die UV-C lamp daarom uitsluitend via die transparante dele van die eenheid.

- Trek altyd die kragprop uit die krag sok voordat u instandhoudings- of herstelwerkzaamhede aan die toestel uitvoer. Moet nooit die kragprop in / uit die krag sok druk / trek as u in 'n plas water staan of nat hande het nie.
- Hou kinders uit die buurt van hierdie toestel en die snoer.
- Die kabel van hierdie toestel is nie vervangbaar nie. In geval van beskadiging van die kragkabel moet die komplette elektriese gedeelte van die toestel vervang word. Verwyder nooit die kragprop maar laat die elektriese gedeelte intak. 'n Elektriese gedeelte met afgeknipte kragprop val nie onder die waarborg nie.
- Installeer die toestel nooit op 'n plek in die volle son nie.
- Maak seker dat daar altyd water deur die eenheid stroom as die lamp brand.
- Ná die toestel uitgeskakel is, sal die lamp nog ongeveer 10 minute lank warm bly.
- Moenie die toestel gebruik indien enige onderdele (in die besonder die kwartsglas) beskadig is nie.
- Verwyder die toestel by bevriesingsgevaar tydens die wintermaande.
- Die vlekvrystaal omhulsel van die toestel is nie geskik vir soutwaterswembaddens met 'n hoë soutgehalte nie. By 'n te hoë soutgehalte oksideer die staal en raak die omhulsel beskadig.
- Gebruik hierdie produk uitsluitend volgens die riglyne soos beskryf in hierdie handleiding.

Installering van aarding (Tekening 1)

- 1 Voordat u die kunststof spanningsontlasklamp (F) op die aardingsbout (A) monteer, moet u eers die kabel (B) deur die spanningsontlasklamp (F) trek. Plaas die spanningsontlasklamp (F) op ongeveer 10 cm afstand van die oog (H) van die aardingskabel (B).
- 2 Plaas die oog (H) van die kabel (B) oor die aardingsbout (A) wat aan die omhulsel vasgemaak is.
- 3 Plaas vervolgens 'n getande waster (C), seskantmoer (D) en weer 'n getande waster (E) op die oog (H).
- 4 Maak die spanningsontlasklamp (F) bo-op vas sodat 'n lus met 'n deursnee van 5 cm gevorm word.
- 5 Ten slotte, plaas die sluitmoer (G) op die aardingsbout (A).
- 6 Indien die verskeie moere in die korrekte volgorde op die aardingsbout (A) geplaas is, kan dit met 'n nommer 8 oopbeksleutel of ringsleutel vasgeskroef word. Maak seker dat dit nie te styf vasgeskroef word nie, aangesien dit die spanningsontlastingsklamp kan laat breek. (Die transparante moer wat by aflewering op die aardingsbout (A) geskroef is, word nie langer benodig nie en kan weggegooi word).

Installering van toestel (Tekening 2)

Moet die Blue Lagoon UV-C Tydreëlaar nooit direk ná die PH reëlaar of soutelektrolisesisteam op u swembadinstallasie installeer nie. Die beste plek om die toestel te installeer is direk ná die filter. Hierdie toestel moet nooit onder die water gedompel word nie. Installeer steeds buite die swembad. Maak seker dat daar altyd water deur die eenheid stroom as die lamp brand.

- 1 Bepaal die gewenste posisie om die toestel te installeer. Maak seker dat daar voldoende ruimte (+/- 1 meter) oorbly om die lamp (K)/ kwartsglas (M) te verwyder vir vervanging en/of onderhoud.
- 2 Monteer die ingeslote pypklampe (O) op 'n vaste plek, bevestig die eenheid in die pypklampe en draai die driedelige koppeling (I) vas. Let daarby op die juiste posisie van die afdigtingsringe (P) sowel by die aansluitings as by die kwartsglas (**sien tekening 2**).
- 3 Monteer die eenheid d.m.v. die driedelige koppelings (I) in die stelsel. Die in- en uitlaat van die driedelige koppeling is 63 mm in deursnee. Indien u leidings kleiner is as 63 mm, kan u gebruik maak van die verloopstuk (Ø 63 x Ø 50 mm) (T). U moet dit vaslym op die driedelige koppeling (I). Aan die binnekant van die verloopstuk (T) bevind hom aan één kant skroefdraad wat die moontlikheid bied om eventueel verloopband inklusief afdigtingsring (word nie voorsien nie) daarop te monteer. Verloopstelle is beskikbaar by u verskaffer (artikelnommer B290020).
- 4 Draai die skroefring (N) los van die omhulsel (U). Haal die UV-C lamp (K) uit die saamgelewerde koker (sien verpakking) en skuif die lamp versigtig in die kwartsglas (M). Koppel die wit lamphouer (L) versigtig aan die UV-C lamp (K) en skroef daarna die skroefring (N) met die hand vas op die omhulsel (U).
- 5 Stel die pomp in werking en kontroleer die sisteem vir doorstroom en lekkasies.
- 6 Stop die kragprop van die UV-C toestel in 'n muursock met randaarde en voorsien van aardlekstroombreker. Kontroleer of die lamp brand deur die transparante dele van die toestel. U skakel die toestel uit deur die kragprop uit die kragsock te trek.

Gebruiksaanwysing digitale uurteller

As die Blue Lagoon UV-C Tydreëlaar ingeskakel is, gaan die program homself toets. Die vertoonskerm gee die volgende aanduidings outomaties na mekaar: 8888 (vertoonskerm toets); r en sageware versie nommer; 50 H of 60 H indikasie van die netfrequentie. Daarna spring die vertoonskerm na die tellerposisie.

As die UVC lamp vir die eerste keer ingeskakel is of nadat die "herset" funksie gebruik is, sal die waarde 4500 op die vertoonskerm verskyn. By die mees regterkantste syfer op die vertoonskerm knipper elke sekonde 'n punt wat aandui dat die teller loop.

Die vertoonskerm staan outomaties op die deur die fabriek ingestelde tellerposisie van 4500 uur. Tot 4500 uur behou die UV-C lamp 100% van sy werkende straling. Na 4500 uur neem die straling af en kan onvoldoende wees om tot die gewenste resultate te kom.

Indien u die UVC lamp al langer gebruik en dit al eens eerder ingeskakel was, sal die vertoonskerm ná die inskakel die waarde weergee wat dit gehad het voordat die UV-C lamp uitgeskakel is. Indien u die posisie van die uurteller self verhoog of verlaag het, word die laaste tellerposisie weergegee wat die vertoonskerm gehad het voordat dit uitgeskakel is.

U kan die instellings van die uurteller wysig indien verlang. Dit doen u soos volg:

Ná die skakelaar (R) onder die vertoonskerm vir 5 sekondes lank ingedruk is, gee die vertoonskerm "rSt" aan ter indikasie dat die gebruikersmenu geselekteer is. Na die loslaat van die skakelaar (R) knipper die tellerposisie en "rSt" afwisselend op die vertoonskerm. Deur hierna die skakelaar vir 'n kort ruk in te druk, word deur die moontlikhede van die menu gestap. Daar is 3 instelmoontlikhede in die menu: "rSt" "UP" en "dn".

- "**rSt**" beteken herset (reset): hiermee set jy die tellerposisie terug na die fabrieksinstelling van 4500 uur.

Hierdie seleksie word bevestig deurdat die tellerposisie en "rSt" in die vertoonskerm afwisselend knipper. As u die skakelaar(R) 5 sekondes lank ingedruk hou, waarna die tellerposisie 4500 weergegee word, en vervolgens loslaat, begin die uurteller terug te tel vanaf die waarde 4500 uur. Hierdie keuse gebruik u wanneer u byvoorbeeld die lamp vervang het of wanneer u die tellerposisie self gewisig het en dit weer terug na die fabrieksin stellings wil herset.

- "**UP**" beteken op (up): hiermee kan die tellerposisie verhoog word na die deur u gewenste uurposisie.

Hierdie seleksie word bevestig deurdat die gekose gebruikersinstelling "UP" en die tellerposisie in die vertoonskerm afwisselend knipper. U moet daarna die skakelaar (R) 5 sekondes lank indruk. Op die vertoonskerm bly na 5 sekondes alleen nog "UP" in beeld staan. U moet dan die skakelaar loslaat.

Deur die skakelaar vir 'n kort ruk in te druk, kan die tellerwaarde vanaf 4500 in stappe van 500 uur verhoog word tot 'n maksimum waarde van 9999. Die verhoogde waarde knipper afwisselend met "UP" op die vertoonskerm.

Indien u die gewenste uurposisie geselekteer het, wag u 10 sekondes. Na 10 sekondes spring die geselekteerde uurposisie in beeld en die terugtel van die tydreeëlaar het begin.

Indien u tydens die verhoging van die tellerposisie byvoorbeeld 'n vergissing begaan, kan u die teller weer terug set na 4500 deur die skakelaar 5 sekondes lank in te druk. Die tellerwaarde is herset na 4500 en 'n nuwe waarde kan ingestel word.

- "**dn**" beteken af (down): hiermee kan die tellerposisie verlaag word na die deur u gewenste uurposisie.

Hierdie seleksie word bevestig deurdat die gekose gebruikersinstelling "dn" en die tellerposisie op die vertoonskerm afwisselend knipper. U moet daarna die skakelaar (R) 5 sekondes lank ingedruk hou. Op die vertoonskerm bly na 5 sekondes alleen nog "dn" in beeld staan. U moet dan die skakelaar loslaat.

Deur die skakelaar vir 'n kort ruk in te druk, kan die tellerwaarde vanaf 4500 in stappe van 500 uur verlaag word tot 'n minimale waarde van 0000. Die verlaagde waarde knipper afwisselend met "dn" op die vertoonskerm.

Indien u die gewenste uurposisie geselekteer het, wag u 10 sekondes. Na 10 sekondes spring die geselekteerde uurposisie in beeld en die terugtel van die tydreeëlaar het begin.

Indien u tydens die verlagning van die tellerposisie byvoorbeeld 'n vergissing begaan, kan u die teller weer terug set na 4500 deur die skakelaar 5 sekondes lank in te druk. Die tellerwaarde is herset na 4500 en 'n nuwe waarde kan ingestel word.

Die uurteller waarsku u op die volgende manier dat die lamp moet vervang word:

- Vanaf uurposisie 0672; vertoonskerm knipper elke sekonde. Die lamp behoort oor 4 weke vervang te word.

- Vanaf uurposisie 0336; vertoonskerm knipper elke halwe sekonde; Die lamp behoort oor 2 weke vervang te word.

- Vanaf uurposisie 0168; vertoonskerm knipper elke ¼ sekonde; Die lamp behoort oor 1 week vervang te word.

- By 'n uurposisie van 0000; bly die syfers vinnig knipper en sal die teller nie meer verder terugtel nie. Die lamp behoort vervang te word.

Demontering/instandhouding

Ontkoppel steeds die kragtoevoer voor instandhouding/demontering van die toestel. Die toestel moet 2 maal per jaar gereinig word.

Wanneer die algroei en/of kalklaag toeneem, moet die kwartsglasbuis (**M**) waarin die lamp sit, skoongemaak word. Die spesiale lamp moet na uiterlik 9.000 brandure vervang word. Maak die vlekvrystaal binnewerk met 'n sagte borsel skoon.

1 Draai die driedelige koppelings (**I**) los en laat die water uit die toestel stroom.

2 Skroef die skroefring (**N**) los en koppel die lamp (**K**) los van die lamphouer(**L**). Haal die lamp uit die kwartsglas en vervang indien nodig die spesiale lamp (**K**). Versigtigheid word aanbeveel aangesien dit baie breekbare onderdele betref.

3 Verwyder versigtig die kwartsglas (**M**) d.m.v. 'n groot plat skroewedraaier (**sien tekening 3**). Moet dit nooit forseer nie!

4 Maak die kwartsglas skoon met 'n geskikte skoonmaakmiddel. Gebruik altyd 'n sagte lap om die glas skoon te maak om krapmerke te voorkom.

5 Wanneer u die kwartsglas terugplaas in die houer, maak seker die 3 afdigtingsringe (**P**) is in die korrekte posisie en skuif die uiteinde van die kwartsglas versigtig in die ontvangsgids (**Q**) (**sien tekening 4**). Moet dit nooit forseer nie!

6 Plaas die lamp versigtig terug in die kwartsglas en koppel die lamp(**K**) aan die lamphouer(**L**). Draai die skroefring (**N**) terug op die omhulsel.

- 7 Die elektriese gedeelte van die toestel bevind hom in die vertoonkas (S) op die toestel. Hierdie vertoonkas is gelym en kan nie oopgemaak word nie. By vervanging van die elektriese gedeelte of die vertoorskerm moet die volledige kas losgeskroef word en die bedrading van die toestel losgemaak word (**sien tekening 1**). Draai die skroefring (N) los en maak die lamphouer versigtig los van die lamp. Maak seker dat u die diverse los onderdele soos van die aarding ens. goed bewaar. Hulle word nie saam met 'n nuwe omhulsel of elektriese gedeelte verskaf nie. Indien daar enige moontlike twyfel oor die aansluiting bestaan, raadpleeg 'n erkende installeerder.
- 8 Indien die omhulsel moet vervang word, moet die aarding (J) en die elektriese gedeelte met vertoorskerm (S) eers van die omhulsel (U) losgemaak word (**sien tekening 1 & 2**). Skroef die elektriese gedeelte met vertoorskerm (S) en die lamphouer los van die omhulsel. Verwyder die lamp (K) en kwartsglas (M) uit die omhulsel om breekskade te voorkom tydens vervoer. Maak seker dat u die diverse los onderdele van die aarding goed bewaar. Hulle word nie saam met 'n nuwe omhulsel verskaf nie. Indien daar enige moontlike twyfel oor die aansluiting bestaan, raadpleeg 'n erkende installeerder.

Tegniese spesifikasies	40.000 L	75.000 L
• Lamp Philips TUV T5	40 Watt	75 Watt
• UV-C (W) uitgangsvermoë	15 Watt	25 Watt
• UV-C (%) na 4.500 uur	85%	80%
• UV-C (%) na 9.000 uur	0%	0%
• Swembadinhoud (L.)	40.000 L	75.000 L
• Maksimum vloeiempo	20.000 l/h	25.000 l/h
• Maksimum druk	3 bar	3 bar
• Maksimum temperatuur	35°C	35°C
• Minimum temperatuur	0°C	0°C
• Aansluiting	Ø 63 mm/Ø 50 mm	Ø 63 mm/Ø 50 mm
• Lengte van toestel	100 cm	100 cm

Tipe UV-C stelsels

Artikelnummer: B210002 Blue Lagoon UV-C tydreëlaar 40.000 L / 40 Watt (230 V; 50/60 Hz)

Artikelnummer: B210003 Blue Lagoon UV-C tydreëlaar 75.000 L / 75 Watt (230 V; 50/60 Hz)

Vervangingslampe

Artikelnummer: E800901 Philips Lamp tipe TUV 36T5 4P-SE (40 Watt)

Artikelnummer: E800902 Philips Lamp tipe TUV 36T5 HO 4P-SE (75 Watt)

Waarborgvoorwaardes

Hierdie produk is gedurende 24 maande na aankoopdatum gewaarborg teen fabrieksfoute. Die lamp en die kwartsglas val buite die waarborg. Waarborgese kan slegs behandel word as die produk gefrankeer teruggestuur word en vergesel is van 'n geldige bewys van aankoop. Herstellings onder waarborg mag uitsluitend deur die verskaffer uitgevoer word. Waarborgese wat veroorsaak is deur installerings- of bedieningsfoute word nie erken nie. Defekte wat ontstaan deur gebrekkige onderhoud val ook nie onder die waarborg nie. Voortvloeiende skade is uitgesluit van die waarborg. Ook onderdele wat aan slytasie onderhewig is, soos rotors, val nie onder die waarborg nie. Die verskaffer is op geen enkele manier verantwoordelik vir skade veroorsaak deur die verkeerde gebruik van die produk nie. Die verskaffer kan nie aanspreeklik gehou word vir voortvloeiende skade wat deur die onklaarraking van die toestel ontstaan nie. Klagtes wat verband hou met vervoerskade kan slegs aanvaar word, wanneer die beskadiging by aflewering deur die verskepingsagent of poskantoor vasgestel of bevestig is. Slegs dan is dit moontlik om eise in te stel teen die verskepingsagent of poskantoor.

Prosimy dokładnie zapoznać się z niniejszą instrukcją użytkowania przed instalacją tego urządzenia.

Opis Działania

W programatorze Blue Lagoon UV-C, promieniowanie ultrafioletowe UV-C o długości fali 253.7 nm jest generowane przez specjalną lampę ultrafioletową UV marki Philips, posiadającą bakteriobójcze działanie (włączając w to bakterie Legionella). Programator Blue Lagoon UV-C zapewni Twojemu basenowi czystą i świeżą wodę w bardzo wydajny sposób, przyjazny dla środowiska naturalnego. Woda biegnie przez urządzenie UV-C, zasilanej za pomocą pompy. Promieniowanie ultrafioletowe powoduje UV-C, powoduje neutralizację bakterii, wirusów i innych prymitywnych organizmów, powstrzymując jej jednocześnie od rozmnażania. Programator Blue Lagoon UV-C, posiada wbudowany wysokiej częstotliwości stabilizator elektroniczny, który absorbuje wahania prądu, chroniąc w ten sposób lampę. Urządzenie również zawiera zintegrowany czasomierz, który na bieżąco monitoruje czas jego działania, co pozwala dokładnie określić konieczność wymiany lampy. Dodatkowo, wykonane z stali nierdzewnej wnętrze urządzenia, zapewnia odbijanie promieniowania ultrafioletowego UV-C, zwiększając jego bezpieczeństwo i wydajność do 35%. Dzięki programatorowi Blue Lagoon UV-C, woda w basenie pływakim w sposób bezpieczny i wydajny ulega dezynfekcji, co zapewnia doskonałą jakość wody.

Zalety promieniowania ultrafioletowego UV-C:

- Zapewnia czystą, świeżą i klarowną wodę
- W sposób bezpieczny i wydajny dokonuje dezynfekcji wody
- graniczenia dotyczące stosowania chloru jest eliminowane za pomocą światła ultrafioletowego UV-C
- Chroni Twój basen przed zarazkami
- Kontroluje formowanie się pleśni, bakterii i alg
- Ogranicza zastosowanie chloru i innych środków chemicznych do 80%
- Zapobiega wydzielaniu się zapachu chloru i podrażnieniom skóry i oczu (zaczernienie oczu)
- Jest bardziej przyjazne dla środowiska naturalnego niż tradycyjne metody

Zalety Programatora Lagoon UV-C:

- Wbudowany elektroniczny stabilizator, zapewniający stabilne zasilanie
- Do 35% większa wydajność urządzenia UV-C dzięki wykorzystaniu odbijania promieni ultrafioletowych
- Wyposażony w lampę UV-C firmy Philips, zapewniającą działanie przez 9000 godzin
- Zintegrowany, regulowany czasomierz do ultrafioletowej lampy UV-C
- Cyfrowy wskaźnik, informujący o konieczności wymiany lampy
- Wykonana ze stali nierdzewnej obudowa o pojemności 316L
- Łatwość instalacji i konserwacji
- 2-letni okres gwarancji uwzględniający błędy fabryczne
- Posiadający uziemienie
- Złącza dopasowujące od \varnothing 63mm do \varnothing 50mm, zawarte w wyposażeniu urządzenia

Warunki bezpiecznego użytkowania

Urządzenie to, wytwarza szkodliwe promieniowanie, dlatego bezpośredni kontakt może spowodować obrażenia skóry i oczu.

Prawidłowe działanie lampy ultrafioletowej UV-C, należy sprawdzać tylko poprzez przezroczystych komponentów urządzenia.

- Należy zawsze odłączyć wtyczkę zasilania z gniazdka sieciowego przed wykonywaniem czynności naprawczych czy konserwacyjnych urządzenia. Nigdy nie należy włączać / odłączać wtyczki zasilania z gniazdka sieciowego wilgotnymi rękoma lub stojąc w wodzie.
- Nie dopuszczać dzieci w pobliżu urządzenia lub jego przewodów zasilających.
- Przewody urządzenia nie powinny być samodzielnie wymieniane. W przypadku jakiegokolwiek uszkodzenia przewodów zasilających, musi zostać wymieniony całkowity zespół elektryczny. Nigdy nie należy pozbywać się wtyczki zasilania; należy pozostawić ją w nietkniętym stanie, ponieważ samodzielne usunięcie wtyczki pozbawia praw do roszczeń gwarancyjnych.
- Nigdy nie należy instalować urządzenia w silnie nasłonecznionym miejscu.
- Należy upewnić się, czy przez urządzenie przepływa woda, gdy lampa ultrafioletowa jest włączona.
- Po wyłączeniu urządzenia, lampa ultrafioletowa pozostaje przez około 10 minut gorąca.
- Nie używać urządzenia, gdy jego komponenty są uszkodzone (szczególnie te w szklanej rurce kwarcowej).
- Należy usuwać urządzenie z basenu, gdy zachodzi podejrzenie zamarzania podczas zimowych miesięcy.
- Obudowa urządzenia wykonana ze stali nierdzewnej nie jest odporna na kąpiele w słonej wodzie o dużym stopniu jej zasolenia, ponieważ przy dużym stężeniu soli zachodzi reakcja utleniania, co może spowodować uszkodzenie obudowy.
- Produkt ten, może być używany tylko zgodnie z zaleceniami zawartymi w niniejszej instrukcji obsługi.

Instalacja uziemiająca (Rysunek 1)

- 1 Przeciągnąć przewód (B) przez kołnierz montażowy (F) przed dopasowaniem syntetycznego kołnierza montażowego (F) do śruby instalacji uziemiającej (A). Umieścić kołnierz montażowy (F) około 10 cm od oczka zaciskowego (H) przewodu instalacji uziemiającej (B).
- 2 Umieścić oczko zaciskowe (H) przewodu (B) na śrubie instalacji uziemiającej (A) która jest dopasowana do obudowy.
- 3 Następnie umieścić ząbkowaną podkładkę zabezpieczającą (C), sześciokątną nakrętkę (D) i jeszcze jedną ząbkowaną podkładkę zabezpieczającą (E) na górze oczka zaciskowego (H).
- 4 Dopasować kołnierz montażowy (F) na górze połączenia, tworząc pętlę o średnicy \varnothing 5 cm.
- 5 Na koniec umieścić nakrętkę (G) do śruby instalacji uziemiającej (A).
- 6 Po umieszczeniu różnego rodzaju nakrętek na śrubie instalacji uziemiającej (A) we właściwej kolejności, należy je dokręcić kluczem płaskim lub oczkowym o numerze 8. Nie należy zbyt mocno dokręcać, bo może to spowodować pęknięcie kołnierza montażowego. (Przezroczysta nakrętka, która została dokręcona na śrubie instalacji uziemiającej (A) przed dostawą urządzenia jest zbędna, i powinna zostać usunięta).

Instalacja urządzenia (Rysunek 2)

Programator Blue Lagoon UV-C, nie może być instalowany za regulatorem czynnika Ph lub systemem zasolenia wody basenu. Idealną lokalizacją do instalacji Twojego urządzenia jest tuż za pompą i filtrem. Nigdy nie należy zanurzać urządzenia w wodzie. Instalacja musi zostać wykonana poza basenem i zawsze należy się upewnić, o przepływie wody przez urządzenie przy włączonej lampie ultrafioletowej.

- 1 Należy określić ściśle miejsce instalacji urządzenia, pozostawiając wolną przestrzeń (+/- 1 metr) w celu umożliwienia swobodnego demontażu lub konserwacji lampy ultrafioletowej (K) / szklanej rurki kwarcowej (M).
- 2 Dopasować dostarczone zaciski instalacji rurowej (O) do stałej pozycji, dociśnąć urządzenie do zacisków instalacji rurowej, I dokręcić trzyczęściowe złącze (I). Należy zwrócić uwagę na prawidłową pozycję okrągłych uszczelkek (P), uważając na połączenia i szklaną rurkę kwarcową (patrz rysunek 2).
- 3 Dopasować urządzenie do instalacji, stosując trzyczęściowe złącza (I). Średnica zaworu wlotowego i wylotowego wynosi \varnothing 63 mm. W przypadku, gdy zastosowane połączenia rurowe są mniejsze niż 63 mm, można użyć złącze dopasowujące (\varnothing 63 x \varnothing 50 mm) (T). Musi ono zostać skleione z trzyczęściowym złączem (I). Po stronie złącza dopasowującego (T), znajduje się wewnętrzny gwint, umożliwiający jego dopasowanie, stosując w razie konieczności okrągłą uszczelkę, która nie znajduje się w wyposażeniu. Zestaw złączy dopasowujących, można uzyskać od Twojego dystrybutora (numer katalogowy artykułu B290020).
- 4 Odkręcić pierścienią gwintowany (N) od obudowy (U). Wymontować lampę ultrafioletową UV-C (K) z dostarczonego opakowania (patrz opakowanie) sidle ostrożnie umieścić lampę w szklanej rurce kwarcowej (M). Ostrożnie podłączyć białą oprawę lampy (L) do lampy ultrafioletowej UV-C (K) I następnie dokręcić gwintowany pierścienią (N) palcami do obudowy (U).
- 5 Włączyć pompę i sprawdzić przepływ wody i szczelność systemu.
- 6 Podłączyć wtyczkę zasilania urządzenia UV-C do gniazdka sieciowego na ścianie, wyposażonej w bolec uziemiający i bezpiecznik odłączający zasilanie. Sprawdzić, prawidłowe działanie lampy ultrafioletowej, obserwując przezroczyste komponenty urządzenia. Urządzenie jest wyłączane przez odłączanie wtyczki zasilania z gniazdka sieciowego.

Instrukcja obsługi cyfrowego czasomierza

Po włączeniu programatora Blue Lagoon UV-C, wykonuje on samodzielnie test kontrolny. Wyświetlacz automatycznie pokaże następującą informację, jedna po drugiej: 8888 (test wyświetlacza); r i numer wersji oprogramowania; 50H lub 60H wskazanie częstotliwość prądu zasilania Po czym, wyświetlacz pokaże odczyt licznika.

Po włączeniu lampy ultrafioletowej UVC po raz pierwszy, lub po zastosowaniu funkcji "reset", wartość "4500" pojawi się na wyświetlaczu. Pulsowanie co sekundę kropki przy cyfrze, pojawi się po prawej skrajnej stronie wyświetlacza; oznacza to działanie licznika.

Na wyświetlaczu, automatycznie pojawi się ustawienie fabryczne odczytu 4500 godzin, co oznacza ilość godzin działania lampy ultrafioletowej przy 100% promieniowaniu. Po 4500 godzinach, promieniowanie ulega osłabieniu, i staje się niewystarczające do uzyskania pożądanego efektu.

W przypadku, gdy lampka ultrafioletowa UV-C była już poprzednio używana, i została włączona ponownie, wyświetlacz wskaże wartość, jaka wynosiła podczas jej poprzedniego wyłączenia. W przypadku, gdy wartość odczytu czasomierza została zwiększona lub zmniejszona samodzielnie, wyświetlacz wskaże ostatni odczyt licznika jaki wynosił tuż przed jej wyłączeniem.

Ustawienia czasomierza mogą być modyfikowane według wymagań, co może być dokonane w następujący sposób:

Po przytrzymaniu w dół przełącznika (R) znajdującego się u dołu wyświetlacza przez 5 sekund, wyświetlacz wskaże "rSt", co oznacza, że zostało wybrane menu użytkownika.

Po zwolnieniu przełącznika (R), wskazanie licznika i "rSt" będzie pulsować naprzemiennie na wyświetlaczu. Ponowne krótkotrwałe naciśnięcie przełącznika, umożliwi nawigację poprzez opcje menu. Istnieją 3 dostępne opcje ustawień w menu: "rSt" "UP" i "dn".

- "rSt" oznacza (reset): Ta opcja, umożliwi ponowne ustawienie wskazań licznika do ustawień fabrycznych, tzn. na 4500 godzin. Dokonanie tego wyboru, jest potwierdzane, gdy wskazanie licznika i "rSt" na wyświetlaczu naprzemiennie pulsuje. Po przytrzymaniu w dół przełącznika (R) przez 5 sekund, po którym to wyświetlone zostanie wskazanie licznika 4500, a następnie zwolnieniu go, czasomierz rozpocznie odliczanie od wartości 4500 godzin. Ta opcja wyboru jest stosowana, gdy na przykład, chcemy dokonać wymiany lampy ultrafioletowej, lub samodzielnie zmodyfikować wskazania licznika, albo powrócić do ustawień fabrycznych.

- "UP" oznacza (w górę): Ta opcja, umożliwi zwiększanie wskazań licznika do żądanej wartości liczby godzin. Dokonanie tego wyboru, jest potwierdzane, gdy wybrane jest ustawienie użytkownika "UP", i wskazanie licznika na wyświetlaczu naprzemiennie pulsuje. Następnie, należy nacisnąć przełącznik (R) w dół przez 5 sekund. Po 5 sekundach, wyświetlacz wskaże tylko "UP". Wtedy można zwolnić przełącznik.

Poprzez krótkotrwałe naciśnięcie przełącznika, wartość licznika może być teraz zwiększana co 500 godzin od wartości 4500, aż do uzyskania maksymalnej wartości, która wynosi 9999. Zwiększona wartość i "UP" będzie pulsować na wyświetlaczu naprzemiennie.

Po dokonaniu wyboru do żądanej wartości godzin, należy odczekać 10 sekund. Po 10 sekundach, zostanie wyświetlone wskazanie wybranej ilości godzin, i programator rozpocznie odliczanie.

W przypadku pomyłki podczas zwiększania wskazań licznika, istnieje możliwość ponownego ustawienia licznika do wartości 4500, poprzez przytrzymanie naciśniętego przełącznika w dół przez 5 sekund. Wartość licznika zostanie wtedy ustawiona ponownie na 4500, i można ustawić nową wartość.

- "dn" oznacza (w dół): Ta opcja, umożliwi zmniejszanie wskazań licznika do żądanej wartości liczby godzin. Dokonanie tego wyboru, jest potwierdzane, gdy wybrane jest ustawienie użytkownika "dn" i wskazanie licznika na wyświetlaczu naprzemiennie pulsuje. Następnie, należy nacisnąć przełącznik (R) w dół przez 5 sekund. Po 5 sekundach, wyświetlacz wskaże tylko "UP". Wtedy można zwolnić przełącznik.

Poprzez krótkotrwałe naciśnięcie przełącznika, wartość licznika może być teraz zmniejszana co 500 godzin od wartości 4500, aż do uzyskania minimalnej wartości, która wynosi 0000. Zmniejszona wartość i "dn" będzie pulsować na wyświetlaczu naprzemiennie.

Po dokonaniu wyboru do żądanej wartości godzin, należy odczekać 10 sekund. Po 10 sekundach, zostanie wyświetlone wskazanie wybranej ilości godzin, i programator rozpocznie odliczanie.

W przypadku pomyłki podczas zmniejszania wskazań licznika, istnieje możliwość ponownego ustawienia licznika do wartości 4500, poprzez przytrzymanie naciśniętego przełącznika w dół przez 5 sekund. Wartość licznika zostanie wtedy ustawiona ponownie na 4500, i można ustawić nową wartość.

Gdy lampa musi zostać wymieniona czasomierz dokona wskazania w następujący sposób:

- Od pozycji godziny 0672; wyświetlacz będzie pulsował co sekundę; Lampa musi zostać wymieniona w przeciągu 4 tygodni.
- Od pozycji godziny 0336; wyświetlacz będzie pulsował co pół sekundy; Lampa musi zostać wymieniona w przeciągu 2 tygodni.
- Od pozycji godziny 0168; wyświetlacz będzie pulsował co ¼ sekundy; Lampa musi zostać wymieniona w przeciągu 1 tygodnia.
- W pozycji godziny 0000; cyfry będą stale pulsowały, a licznik nie będzie kontynuował odliczania. Lampa musi zostać jak najszybciej wymieniona.

Demontaż / Konserwacja

Zawsze należy wyłączać napięcie zasilania podczas dokonywania konserwacji/demontażu urządzenia.

Urządzenie musi być czyszczone dwa razy w roku. W przypadku wzrostu populacji alg i/lub osadzenia się kamienia, szklana rurka kwarcowa (M), w której umieszczona jest lampa ultrafioletowa musi zostać wyczyszczona. Lampa ultrafioletowa musi być wymieniana po 9000 godzinach jej działania. Wnętrze urządzenia wykonane ze stali nierdzewnej, może być czyszczone miękką szczotką.

1 Odkręcić trzyczęściowe złącza (I) i spuścić wodę z urządzenia.

2 Odkręcić nakrętkę śruby (N) i odłączyć lampę ultrafioletową (K) od oprawki lampy (L). Wyjąć lampę ze szklanej rurki kwarcowej, i w razie konieczności wymienić lampę (K). Wszystkie komponenty są bardzo kruche, dlatego należy zachowywać szczególną ostrożność.

3 Ostrożnie wyjąć szklaną rurkę kwarcową (M) używając dużego, płaskiego wkrętaka (patrz rysunek 3). Nie stosować nadmiernej siły!

- 4 Czyścić szklaną rurkę kwarcową za pomocą odpowiedniego środka. Zawsze należy używać miękkiej ściereczki do czyszczenia szkła, w celu uniknięcia zadrapań.
- 5 Należy zwracać uwagę w celu prawidłowego umieszczenia 3 okrągłych uszczelke (P) podczas wymiany szklanej rurki kwarcowej z obudowy, i ostrożnie wprowadzać jej koniec do zaworu wlotowego(Q) (**patrz rysunek 4**). Nie stosować nadmiernej siły!
- 6 Ostrożnie wymienić lampę ultrafioletową w szklanej rurce kwarcowej, i podłączyć lampę (K) do jej oprawki (L). Przykręcić nakrętkę (N) ponownie do obudowy.
- 7 Zespół elektryczny urządzenia jest umieszczony w panelu wyświetlacza (S) znajdujący się w na urządzeniu. Panel wyświetlacza jest przyklejony, dlatego nie może być otwierany. W przypadku wymiany zespołu elektrycznego lub wyświetlacza, musi zostać odkręcony cały panel, a przewody zasilające odłączone od urządzenia (**patrz rysunek 1**). Odkręcić górną śrubę (N) i ostrożnie zdjąć oprawkę z lampy ultrafioletowej. Jakiegokolwiek luźne elementy, np. instalacji uziemiającej muszą być zatrzymane, ponieważ nie są one dostarczane z nową obudową, czy zespołem elektrycznym. W przypadku jakichkolwiek wątpliwości, dotyczących połączeń, należy zwrócić się do wykwalifikowanego elektryka.
- 8 W przypadku, gdy konieczna jest wymiana obudowy, instalacji uziemiającej (J) i zespołu elektrycznego z wyświetlaczem (S) trzeba najpierw odłączyć go od obudowy (U) (**patrz rysunek 1 & 2**). Odkręcić zespół elektryczny z wyświetlaczem (S) i oprawkę lampy ultrafioletowej od obudowy. Należy się upewnić, aby ostrożnie przechować różnego rodzaju elementy instalacji uziemiającej, ponieważ nie jest ona dostarczana z nową obudową. Wyjąć lampę ultrafioletową (K) i szklaną rurkę kwarcową (M) z obudowy, w celu zabezpieczenia ich przed rozbiciem podczas transportu. W przypadku jakichkolwiek wątpliwości dotyczących połączeń, należy zwrócić się do wykwalifikowanego elektryka.

Specyfikacje techniczne

	40,000 l	75,000 l
• Lampa Philips TUV T5	40 Wat	75 Wat
• Moc wyjściowa UV-C (W)	15 Wat	25 Wat
• UV-C po 4,500 godzinach(%)	85%	80%
• UV-C po 9,000 godzinach (%)	0%	0%
• Pojemność basenu (l)	40,000 l	75,000 l
• Maks. obieg wody	20,000 l/h	25,000 l/h
• Maks. ciśnienie	3 barów	3 barów
• Maks. temperatura	35°C	35°C
• Min. temperatura	0°C	0°C
• Rozmiar złączy	Ø63 mm/Ø50 mm	Ø63 mm/Ø50 mm
• Długość urządzenia	100 cm	100 cm

Rodzaje systemów UV-C

Numer katalogowy: B210002 Blue Lagoon UV-C Timer 40,000 l / 40 Wat (230V; 50/60Hz)

Numer katalogowy: B210003 Blue Lagoon UV-C Timer 75,000 l / 75 Wat (230V; 50/60Hz)

Wymiana lamp ultrafioletowych

Numer katalogowy: Typ lampy E800901 Philips TUV 36T5 4P-SE (40 Wat)

Numer katalogowy: Typ lampy E800902 Philips TUV 36T5 HO 4P-SE (75 Wat)

Warunki gwarancji

Gwarancja udzielana na niniejszy produkt obejmuje błędy fabryczne na okres 24 miesięcy, licząc od daty zakupu urządzenia. Udzielana gwarancja nie obejmuje lampy ultrafioletowej i szklanej rurki kwarcowej. Roszczenia gwarancyjne będą brane pod uwagę tylko w przypadku, gdy produkt będzie posiadał dowód jego zakupu, i zostanie opłaconą przesyłka zwrotna. Wszelkie naprawy obejmujące warunki gwarancji mogą być dokonywane wyłącznie przez dostawcę tego urządzenia. Roszczenia gwarancyjne wynikające z błędnej instalacji lub nieprawidłowego użytkowania urządzenia, nie będą brane pod uwagę. Uszkodzenia wynikające z wadliwej konserwacji urządzenia, również będą wyłączone z warunków gwarancji. Dostawca także nie ponosi jakiegokolwiek odpowiedzialności za jakiegokolwiek uszkodzenia wynikające z nieprawidłowego użytkowania niniejszego urządzenia. Dostawca również nie ponosi odpowiedzialności za jakiegokolwiek poważne fizyczne uszkodzenia urządzenia. Skargi dotyczące uszkodzeń powstałych podczas transportu nie będą brane pod uwagę w przypadku, gdy zostaną one zgłoszone i potwierdzone w momencie dostawy przez przewoźnika lub urząd pocztowy. W takich przypadkach roszczenie może być złożone tylko w stosunku do rzeczonego przewoźnika lub urzędu pocztowego.

Prosím, přečtěte si pozorně tyto pokyny pro použití před instalací tohoto zařízení.

Použití

V zařízení Blue Lagoon UV-C Timer je speciální UV lampou od firmy Philips generováno UV-C záření o vlnové délce 253,7 nm, které spolehlivě hubí bakterie (včetně bakterie Legionella). Blue Lagoon UV-C Timer efektivně a ekologicky šetrně zajistí, že voda ve vašem bazénu bude čistá, svěží a průzračná. Voda je čerpadlem hnána přes UV-C zařízení. UV-C záření ničí bakterie, viry a jiné jednoduché organismy a zabírá jim v množení. Blue Lagoon UV-C Timer je opatřen vestavěným vysokofrekvenčním elektronicky řízeným stabilizačním odporem, který pohlcuje kolísání proudu a ochraňuje tím lampu. Navíc tento přístroj obsahuje také integrovaný časoměrný čítač, který přesně zaznamenává počet provozních hodin. Díky tomu jste přesně informováni o tom, kdy musí být lampy vyměněny. Další výhodou je, že vnitřní části z nerezavějící oceli odrážejí paprsky UV-C záření a zvyšují tak účinnost až o 35 %. Díky přístroji Blue Lagoon UV-C Timer bude voda ve vašem bazénu účinně a bezpečně desinfikována a její kvalita zůstane skvělá.

Výhody ošetřování vody pomocí UV-C záření:

- Zaručuje svěží, čistou a průzračnou vodu
- Účinně a bezpečně desinfikuje vodu
- Snížení obsahu chloru díky UV-C záření
- Chrání váš bazén před bakteriemi
- Udržuje pod kontrolou tvorbu plísni, bakterií a řas
- Může omezit použití chloru a jiných chemikálií až o 80 %
- Eliminuje zápach chloru a podráždění pokožky a očí (červené oči)
- Ekologicky šetrnější, než tradiční metody

Výhody přístroje Blue Lagoon UV-C Timer:

- Vestavěný elektronický vstupní vysokofrekvenční zesilovač (preselektor), který zajišťuje plynulý přívod energie.
- Až o 35 % vyšší hladina UV-C záření díky reflexi paprsků
- Vybaven UV-C lampou Philips s životností 9 000 hodin
- Integrované nastavitelné časoměrné zařízení pro UV-C lampy
- Digitální znamení pro dobu výměny lampy
- Plášť z nerezavějící oceli 316L
- Snadná instalace a údržba
- Dvouletá záruka na závady z výroby
- Uzemnění
- Redukce Ø 63mm až Ø 50mm součástí dodávky.

Bezpečnost

Toto zařízení vydává škodlivé záření. Přímý kontakt by mohl poškodit oči a pokožku. Činnost UV-C lampy kontrolujte jen přes průhledné části jednotky.

- Před údržbou či opravou jednotky vždy zařízení vypojte ze sítě. Nikdy nezapojujte a nevyppojte síťový kabel, pokud stojíte ve vodě nebo pokud máte mokré ruce.
- Držte děti z dosahu tohoto zařízení a kabelu.
- Kabel přístroje není vyměnitelný. V případě poškození síťového kabelu musí být vyměněna celá elektrická jednotka. Nikdy neodstraňujte zástrčku; zachovejte elektrickou jednotku neporušenou. Na elektrickou jednotku s odstraněnou zástrčkou se nevztahuje záruka.
- Nikdy neinstalujte jednotku na plochu vystavenou přímému slunečnímu záření.
- Zajistěte, aby jednotkou protékala voda vždy, když je lampy zapnutá.
- Lampa zůstává horká ještě asi 10 minut po vypnutí přístroje.
- Zařízení nepoužívejte, pokud je některá ze součástí poškozená (zejména křemenná trubka).
- V případě hrozby zamrznutí v zimních měsících zařízení demontujte.
- Plášť jednotky z nerezavějící oceli není určen pro solné vodní koupele s vysokým obsahem soli. Pokud je obsah soli příliš vysoký, ocel zkoroduje a zničí plášť.
- Tento výrobek může být používán výhradně v souladu s postupy popsány v těchto pokynech pro použití.

Instalace zemnění (náčres 1)

- 1 Protáhněte kabel (B) úchytem odlehčujícím napětí kabelu (F) předtím, než úchyt (F) upevníte na zástrčku zemnění (A). Nastavte úchyt odlehčující napětí kabelu (F) do vzdálenosti asi 10 cm od oka (H) kabelu zemnění (B).
- 2 Umístěte oko (H) kabelu (B) na zástrčku zemnění (A), která je upevněná na plášti.
- 3 Poté umístěte ozubenou podložku (C), šestiúhelníkovou matici (D) a další ozubenou podložku (E) na vrch oka (H).
- 4 Umístěte úchyt (F) nahoru a vytvořte očko o průměru asi 5 cm.
- 5 Nakonec umístěte uzavírací matku (G) na zástrčku zemnění (A).
- 6 V momentě, kdy jsou všechny matky umístěny ve správném pořadí na zástrčce zemnění (A), mohou být utaženy stranovým nebo očkovým klíčem číslo 8. Neutahujte příliš silně, jinak hrozí nebezpečí rozlomení úchyty. (Průhledná matka nasazená na zástrčce zemnění (A) při dodání nemá další využití a může se vyhodit).

Instalace zařízení (náčres 2)

Blue Lagoon UV-C Timer nesmí být nikdy zapojen v rámci instalace vašeho bazénu za regulátor pH nebo systém elektrolyzy soli. Ideální je nainstalovat toto zařízení za čerpadlo a filtr. Nikdy neponožte toto zařízení do vody. Jeho instalace musí být vždy provedena mimo bazén. Zajistěte, aby voda protékala jednotkou vždy, když je lampa zapnutá.

- 1 Rozhodněte, kde bude zařízení instalováno. Ponechte okolo zařízení volné místo (asi 1m na každou stranu), aby bylo možné vyjmout lampu (K) / křemennou trubku (M) pro účely výměny a/nebo údržby.
- 2 Uchyťte napevno dodané trubkové svorky (O), zatlačte do nich jednotku a utáhněte trojdílnou spojku (I). Věnujte přitom pozornost správné poloze těsnících kroužků (P) jak vůči spojkám tak vůči křemenné trubce (viz náčres 2).
- 3 Zapojte jednotku do okruhu pomocí trojdílných spojek (I). Vstup i výstup trojdílných spojek má průměr 63 mm. Pokud máte trubky o průměru menší než 63 mm, můžete použít redukci (Ø 63 x Ø 50 mm) (T). Ta se musí k trojdílné spojce (I) přilepit. Na straně redukce (T) je vnitřní závit, do něž je možné připojit s pomocí těsnění (není součástí dodávky) redukci, pokud je to nezbytné. Sady redukcí můžete dostat u svého distributora (číslo výrobku B290020).
- 4 Odšroubujte šroubovací kroužek (N) z pláště (U). Vyjměte UV-C lampu (K) z dodaného obalu (viz balení) a opatrně vsuňte lampu do křemenné trubky (M). Opatrně připojte bílý držák lampy (L) k UV-C lampě (K) a následně utáhněte šroubovací kroužek (N) rukou k plášti (U).
- 5 Zapněte čerpadlo a zkontrolujte těsnost celého systému.
- 6 Zapojte zástrčku zařízení UV-C do nástěnné zásuvky s uzemněním opatřené jištěním proti zbytkovému proudu. Pohledem přes průhledné součásti jednotky zkontrolujte, zda lampa pracuje. Jednotka se vypíná vytažením zástrčky ze sítě.

Návod na použití digitálního čítače času

Po zapnutí přístroje Blue Lagoon UV-C Timer spustí program samokontrolní test. Displej automaticky zobrazí jedno po druhém následující: 8888 (display test) ; r a číslo verze softwaru ; 50H nebo 60H – indikace frekvence síťového připojení
Následně se na displeji ukáže údaj o provozním čase

Pokud je UVC lampa zapnutá poprvé nebo po použití funkce „reset“, objeví se na displeji hodnota '4500'. Tečka vedle čísla na pravém konci displeje bude blikat ve vteřinovém intervalu. To znamená, že čítač běží.

Displej je nastaven z výroby automaticky na 4 500 hodin. UV-C lampa pracuje na 100% výkonu záření až po dobu 4 500 hodin. Po 4 500 hodinách bude záření slábnout a může vykazovat nedostatečné hodnoty pro dosažení požadovaného účinku.

Pokud již byla UV-C lampa používána a je znovu zapnuta, objeví se na displeji časový údaj, který byl zaznamenán před jejím předchozím vypnutím. Pokud byl dříve údaj čítače upravován, ukáže displej poslední údaj uvedený předtím, než bylo zařízení naposledy vypnuto.

Nastavení čítače času může být upravováno. Úprava nastavení se provádí následovně:

Pokud stisknete spínač (R) pod displejem na 5 vteřin, ukáže se na displeji „rSt“. To značí, že byla vybrána uživatelská nabídka (user menu).

Jakmile spínač (R) pustíte, časový údaj a „rSt“ začnou na displeji střídavě blikat. Krátkým stiskem téhož tlačítka je nyní možné postupovat v nabídce možností. Na výběr jsou v menu tři možnosti: „rSt“, „UP“ a „dn“.

- volba „**rSt**“ (reset): Tato volba umožňuje znovu nastavit výrobní nastavení hodnoty časovače na 4 500 hodin. Tato volba je potvrzena, pokud hodnota časovače a „**rSt**“ střídavě blikají. Pokud podržíte tlačítko spínače (R) po dobu 5 vteřin a objeví se hodnota 4500 a poté tlačítko pustíte, čítač začne odpočítávat z hodnoty 4 500 hodin. Tato volba se používá např. při výměně lampy nebo pokud chcete obnovit výchozí nastavení poté, co jste je změnili.

- volba „**UP**“ (up): Tato volba umožňuje zvýšit výchozí časovou hodnotu na požadovaný počet hodin. Tato volba je potvrzena, pokud zvolené uživatelské nastavení „**UP**“ a hodnota časovače střídavě blikají. Následně stisknete tlačítko (R) po dobu 5 vteřin. Po 5 vteřinách se na displeji zobrazí pouze „**UP**“. Můžete pustit tlačítko. Krátkými stisky tlačítka může být nyní hodnota zvýšena po 500 z hodnoty 4 500 až na maximální hodnotu 9999. Údaj o zvýšené hodnotě a „**UP**“ budou na displeji střídavě blikat. Po zvolení požadovaného počtu hodin vyčkejte 10 vteřin. Po 10 vteřinách se zobrazí zvolená hodnota a čítač začne odpočítávat. Pokud uděláte při zvyšování hodnoty chybu, je možno resetovat čítač na hodnotu 4500 stisknutím tlačítka spínače po dobu 5 vteřin. Čítač poté bude znovu nastaven na hodnotu 4500 a může být znovu nastavena jiná hodnota.

- volba „**dn**“ (down): Tato volba umožňuje snížit výchozí časovou hodnotu na požadovaný počet hodin. Tato volba je potvrzena, pokud zvolené uživatelské nastavení „**dn**“ a hodnota časovače střídavě blikají. Následně stisknete tlačítko (R) po dobu 5 vteřin. Po 5 vteřinách se na displeji zobrazí pouze „**dn**“. Můžete pustit tlačítko. Krátkými stisky tlačítka může být nyní hodnota snížena po 500 z hodnoty 4 500 až na minimální hodnotu 0000. Údaj o snížené hodnotě a „**dn**“ budou na displeji střídavě blikat. Po zvolení požadovaného počtu hodin vyčkejte 10 vteřin. Po 10 vteřinách se zobrazí zvolená hodnota a čítač začne odpočítávat. Pokud uděláte při zvyšování hodnoty chybu, je možno resetovat čítač na hodnotu 4500 stisknutím tlačítka spínače po dobu 5 vteřin. Čítač poté bude znovu nastaven na hodnotu 4500 a může být znovu nastavena jiná hodnota.

Čítač času bude oznamovat nutnost výměny lampy následujícím způsobem:

- Od hodnoty 0672: displej bude blikat v intervalu jedné vteřiny. Lampu je třeba vyměnit do čtyř týdnů.
- Od hodnoty 0336: displej bude blikat v intervalu půl vteřiny. Lampu je třeba vyměnit do dvou týdnů.
- Od hodnoty 0168: displej bude blikat v intervalu ¼ vteřiny. Lampu je třeba vyměnit do jednoho týdne.
- Na hodnotě 0000: číslice stále blikají a čítač nepokračuje v odpočítávání. Lampu je nutno vyměnit.

Demontáž / Údržba

Při demontáži / údržbě zařízení vždy vypojte ze sítě.

Zařízení musí být vyčištěno dvakrát ročně. V případě zvýšeného výskytu řas a/nebo usazenin musí být čištěna křemenná trubka (M), v níž je umístěna lampa. Lampa musí být vyměněna nejpozději po 9 000 provozních hodinách. Vnitřek z nerezavějící oceli může být čištěn jemným kartáčkem.

- 1 Rozšroubujte trojdílné spojky (I) a vylijte vodu ze zařízení.
- 2 Sejměte šroubovací víčko (N) a vyjměte lampu (K) z držáku lampy (L). Vyjměte lampu z křemenné trubky a, pokud je to nutné, lampu vyměňte (K). Vzhledem ke křehkosti těchto součástí je nezbytná mimořádná opatrnost.
- 3 Opatrně vyjměte křemennou trubku (M) za pomoci velkého plochého šroubováku (viz náčrt 3). Nikdy nepoužívejte sílu!
- 4 Vhodným prostředkem vyčistíte křemennou trubku. Abyste předešli poškrábání, používejte vždy k čištění skla měkkou látku.
- 5 Při manipulaci s křemennou trubkou uvnitř pláště věnujte pozornost správné pozici všech třech těsnících kroužků (P) a opatrně zaveďte konec křemenné trubky do vstupního otvoru (Q) (viz náčrt 4). Nikdy nepoužívejte sílu!
- 6 Opatrně vyměňte lampu v křemenné trubce a připojte lampu (K) k držáku lampy (L). Opět našroubujte šroubovací víčko (N) na plášť.
- 7 Elektrická jednotka je umístěna ve schránce s displejem (S) umístěné na zařízení. Tato schránka je lepená a není rozebíratelná. V případě výměny elektrické jednotky nebo displeje musí být celá schránka odšroubována a odpojena od zařízení (viz náčrt 1). Sejměte šroubovací víčko (N) a opatrně sejměte držák z lampy. Všechny uvolněné části, tj. zemnění atd. musejí být opatrně zachovány, protože nejsou součástí dodávky nového pláště nebo elektrické jednotky. V případě pochybností ohledně připojení se poraďte s odborníkem na instalaci.
- 8 Pokud je třeba vyměnit plášť, musí být nejprve odpojeno zemnění (J) a elektrická jednotka s displejem (S) od pláště (U) (viz náčrt 1 a 2). Odšroubujte elektrickou jednotku s displejem (S) a držák lampy od pláště. Zajistěte opatrné zachování různých uvolněných částí zemnění, protože nejsou součástí dodávky nového pláště. Vyjměte lampu (K) a křemennou trubku (M) z pláště přístroje, aby se předešlo rozbití během přepravy. V případě pochybností ohledně připojení se poraďte s odborníkem na instalaci.

Technické údaje	40,000 l	75,000 l
• Lampa Philips TUV T5	40 Watt	75 Watt
• Výkon UV-C (W)	15 Watt	25 Watt
• UV-C (%) po 4,500 hodinách	85%	80%
• UV-C (%) po 9,000 hodinách	0%	0%
• Objem bazénu (l)	40 000 l	75 000 l
• Max. průtok	20 000 l/h	25 000 l/h
• Max. tlak	3 bar	3 bar
• Max. teplota	35°C	35°C
• Min. teplota	0°C	0°C
• Rozměr připojení	Ø63 mm/Ø50 mm	Ø63 mm/Ø50 mm
• Délka přístroje	100 cm	100 cm

Typy UV-C systémů

Číslo výrobku: B210002 Blue Lagoon UV-C Timer 40,000 l / 40 Watt (230V; 50/60Hz)

Číslo výrobku: B210003 Blue Lagoon UV-C Timer 75,000 l / 75 Watt (230V; 50/60Hz)

Náhradní lampy

Číslo výrobku: E800901 Philips Lamp typ TUV 36T5 4P-SE (40 Watt)

Číslo výrobku: E800902 Philips Lamp typ TUV 36T5 HO 4P-SE (75 Watt)

Záruční podmínky

Na výrobek se vztahuje záruka na výrobní závady na dobu 24 měsíců od data zakoupení. Na lampu a křemennou trubku se tato záruka nevztahuje. Záruční nároky mohou být vyřízeny jen pokud je výrobek zaslán zpět na náklady majitele a s platným dokladem o nákupu. Záruční opravy mohou být uskutečněny výhradně dodavatelem.

Na záruční nároky způsobené nesprávnou instalací nebo použitím nebude brán zřetel. Záruka se nevztahuje ani na defekty způsobené nedostatečnou údržbou. Dodavatel nemůže být v žádném případě činěn zodpovědným za případná poškození způsobená nesprávným používáním výrobku. Dodavatel nebude odpovídat za žádná následná poškození způsobená selháním jednotky. Stížnosti ohledně poškození při přepravě budou brány v potaz jen pokud bude poškození ověřeno nebo potvrzeno při dodání přepravcem nebo poštovní správou. Stížnost vůči přepravci nebo poštovní správě může být vznesena jen v tomto případě.

A készülék telepítése előtt kérjük, gondosan olvassa el a jelen kezelési utasítást.

Üzemeltetés

A Blue Lagoon UV-C Timer készülékben a speciális Philips UV izzó olyan 253,7 nm hullámhosszúságú UV-C sugárzást állít elő, amely megöli a baktériumokat (köztük a legionella baktériumokat). A Blue Lagoon UV-C Timer hatékony és környezetbarát módon gondoskodik arról, hogy az uszodavíz mindig kristálytiszta és friss legyen. Szivattyú segítségével áramlik át a víz az UV-C készüléken. Az UV-C sugárzás megöli a baktériumokat, vírusokat és egyéb alsórendű élőlényeket, továbbá megakadályozza azok elszaporodását. A Blue Lagoon UV-C Timer beépített nagyfrekvenciás elektronikus előtéttel rendelkezik, amely kiegyenlíti az áramingadozásokat, így védi az izzót. Ezen túlmenően a készülék tartalmaz egy időmérőt, amely pontosan felügyeli az üzemórák számát. Így pontosan tudhatja, hogy mikor kell kicserélni az izzót. Ezen kívül a rozsdamentes acél belső biztosítja az UV-C sugarak visszaverődését, így a hatékonyság akár 35%-kal is megnő. A Blue Lagoon UV-C Timer készüléknek köszönhetően a medencéje hatékonyan és biztonságosan fertőtleníthető, és a vízminőség mindig kiváló marad.

Az UV-C kezelés előnyei:

- Biztosítja a friss, tiszta és átlátszó vizet
- Hatékonyan és biztonságosan fertőtleníti a vizet
- Az UV-C fény lebontja a kötött klórt
- Védi a medencéjét a kórokozóktól
- Ellenőrzés alatt tartja a gombák, baktériumok és algák képződését
- Akár 80%-kal is csökkentheti a klór és egyéb vegyszerek használatát
- Megakadályozza a klórszag kialakulását, valamint a bőr és szem irritációját (vörös szemek)
- A hagyományos módszerekhez képest sokkal inkább kíméli a környezetet

A Blue Lagoon UV-C Timer előnyei:

- Beépített elektronikus előtét az egyenes áramellátás érdekében
- A visszaverődés segítségével akár 35%-kal jobb UV-C hasznosítás
- A beépített Philips UV-C izzó üzemideje 9000 óra
- Integrált beállítható időmérő az UV-C izzó számára
- Az izzócsere digitális kijelzése
- 316L rozsdamentes acél ház
- Könnyű telepítés és karbantartás
- 2 éves garancia a gyártási hibákra
- Földelt
- Ø 63 mm ... Ø 50 mm adapterekkel szállítjuk

Balesetvédelem

A készülék veszélyes sugárzást állít elő. A közvetlen besugárzás veszélyes lehet a szemre és a bőrre. Az UV-C izzó működését kizárólag a készülék áttetsző ablakán át szabad ellenőrizni.

- Mindig húzza ki a hálózati dugót a konnektorból, mielőtt karbantartási vagy javítási munkát végezne a készüléken. Sohase dugja be vagy húzza ki a dugót a konnektorból, ha vízben áll, vagy ha nedves a keze.
- Tartsa távol a gyermekeket a készüléktől és a kábeltől.
- A készülék hálózati kábele nem cserélhető. Ha megsérül a hálózati kábel, akkor a teljes elektromos egységet cserélni kell. Ne szerelje le a dugót; hagyja érintetlenül az elektromos egységet. Ha az elektromos egységről leszereli a dugót, a készülék elveszti garanciáját.
- Ne szerelje fel a készüléket olyan helyre, ahol közvetlen napsütésnek van kitéve.
- Gondoskodjon arról, hogy víz folyamatosan áramoljon át a készüléken, ha az izzó be van kapcsolva.
- A készülék kikapcsolása után az izzó körülbelül 10 percig még forró marad.
- Ne használja a készüléket, ha bármelyik alkatrésze sérült (különösen a kvarcüveg).
- Szerelje le a készüléket a téli hónapokban fagyveszély esetén.
- A készülék rozsdamentes acél háza nem használható magas sótartalmú sós vizes fürdőkhöz. Ha a sótartalom túl magas, az acél oxidálódik, és a ház károsodik.
- A készülék csak a jelen használati utasításban megadott irányelvek szerint használható.

Földelés kialakítása (1. sz. rajz)

- 1 Mielőtt a műanyag tehermentesítőt (F) felszerelné a földelő csavarra (A), húzza át a kábelt (B) a tehermentesítőn (F). Helyezze a tehermentesítőt (F) körülbelül 10 cm-re a földelőkábel (B) fülétől (H).
- 2 Helyezze a kábel (B) fülét (H) a házra szerelt földelő csavarra (A).
- 3 Ezután helyezze fel a recézett biztosító alátétet (C), a hatlapú csavaranyát és egy másik recézett biztosító alátétet (E) a földre (H).
- 4 Szerelje a tehermentesítőt (F) legfelülre, \varnothing 5 cm-es hurokkal.
- 5 Végül helyezze fel a biztosító anyát (G) a földelő csavarra (A).
- 6 Miután megfelelő sorrendben felhelyezte a különböző anyákat a földelő csavarra (A), meghúzhatja azokat 8-as villáskulccsal vagy csillagkulccsal. Ne húzza meg túlzottan az anyákat, mivel eltörheti a tehermentesítőt. (A szállításkor a földelő csavaron (A) lévő átlátszó anyára a továbbiakban már nem lesz szükség, eldobható).

A készülék felszerelése (2. sz. rajz)

A Blue Lagoon UV-C Timer készüléket tilos a Ph szabályozó vagy a sós elektrolízises rendszer mögé beszerelni az úszómedence gépészetbe. A készülék ideális helye a szivattyú és a szűrő mögött található. Tilos a készüléket vízbe mártani. A készüléket mindig a medencén kívül kell elhelyezni. Gondoskodjon arról, hogy víz folyamatosan áramoljon át a készüléken, ha az izzó be van kapcsolva.

- 1 Határozza meg, hová szereli fel a készüléket. Hagyjon elég szabad helyet (+/- 1 méter) az izzó (K) / kvarcüveg (M) kiszéréhez csere és/ vagy karbantartás esetén.
- 2 Szerelje fel a mellékelt csőbilincseket (O) szilárd helyekre, nyomja be az egységet a csőbilincsbe, és húzza meg a három részes csatlakozót (I). Figyeljen a tömitőgyűrűk (P) helyes pozíciójára, mind a csatlakozások, mind a kvarcüveg tekintetében (lásd a 2. sz. rajzot).
- 3 Szerelje be a készüléket az áramlási körbe a három részes csatlakozókkal (I). A három részes csatlakozó bemenete és kimenete \varnothing 63 mm-es. Ha a cső kisebb 63 mm-nél, akkor használhatja az adaptert (\varnothing 63 x \varnothing 50 mm) (T). Az adaptert fel kell ragasztani a három részes csatlakozóra (I). Az adapter egyik oldalán (T) csavarmenet található a belső felén, amely lehetővé teszi egy adapter felszerelését tömitőgyűrűvel (nem szállítjuk), ha szükséges. Adapter-készleteket a forgalmazótól szerezhet be (cikkszám: B290020).
- 4 Csavarozza le a menetes gyűrűt (N) a házról (U). Vegye ki az UV-C izzót (K) a dobozból (lásd csomagolás), és óvatosan csúsztassa be az izzót a kvarcüvegbe (M). Óvatosan csatlakoztassa a fehér izzótartót (L) az UV-C izzóhoz (K), majd csavarozza vissza a házra (U), és kézzel húzza meg a menetes gyűrűt (N).
- 5 Kapcsolja be a szivattyút, és ellenőrizze a víz áramlását, illetve azt, hogy nem szivárog-e a rendszer.
- 6 Dugja be az UV-C készülék hálózati dugóját egy földelt és maradékáram megszakítóval ellátott fali konnektorba. A készülék áttetsző ablakán benézve ellenőrizze, hogy működik-e az izzó. A készüléket a hálózati dugó konnektorból való kihúzásával lehet kikapcsolni.

A digitális időmérő használati utasítása

A Blue Lagoon UV-C Timer készülék bekapcsolás után azonnal ön-tesztet hajt végre. A kijelzőn egymás után az alábbiak jelennek meg: 8888 (kijelző teszt) ; r és a szoftver verziószáma ; 50H vagy 60H, jelezve a hálózati frekvenciát
Ezután a kijelzőn megjelenik a mért érték.

Az UVC izzó első bekapcsolásakor, vagy a „reset” (visszaállítás) funkció használata után '4500' jelenik meg a kijelzőn. A szám után a kijelző jobb szélén megjelenő pont másodpercenként villan egyet; ez jelzi, hogy a számláló működik.

A kijelző automatikusan a 4500 órás gyári alapbeállítás szerinti értéket mutatja. Az UV-C izzó 100%-os sugárzással max. 4500 üzemóráig üzemel. 4500 óra után a sugárzás gyengül, és elégtelenné válhat a kívánt eredmény eléréséhez.

Ha az UV-C izzót már használták előzőleg, és ismét bekapcsolják, a kijelző azt az értéket mutatja, amit a korábbi kikapcsoláskor mutatott. Ha Ön saját maga megnöveli vagy lecsökkenti az időmérő értékét, a kijelző a kikapcsolás előtti utolsó állást mutatja.

Ha akarja, megváltoztathatja az időmérő beállításait. Ezt az alábbiak szerint teheti meg:

Tartsa lenyomva a kijelző alatti gombot (R) 5 másodpercig, a kijelzőn az „rSt” felirat jelenik meg, ami jelzi, hogy a felhasználói menüt választotta ki. Amint elengedi a gombot (R), a mért érték és az „rSt” felirat felváltva jelenik meg a kijelzőn. Röviden nyomja meg ismét a gombot, így végiglépkedhet a menüpontokon. A menü 3 beállítási lehetőséget tartalmaz: „rSt” „UP” és „dn”.

- „**rSt**” jelentése (reset, azaz visszaállítás): Ennek a menüpontnak a segítségével a gyári 4500 órás alaphelyzetbe állíthatja a kijelzést. A készülék a menüpont kiválasztását úgy jelzi, hogy a mért érték és az „rSt” felirat felváltva villog. Ha lenyomva tartja a gombot (R) 5 másodpercig – ami után a kijelzőn 4500 érték jelenik meg -, majd elengedi a gombot, a mérő a 4500 órás értékről fog visszaszámolni. Ezt a menüpontot kell használni például olyankor, amikor kicserélte az izzót, vagy ha megváltoztatta a mérő kijelzést, és vissza akar térni a gyári beállításokhoz.

- „**UP**” jelentése (fel): Ennek a menüpontnak a segítségével megnövelheti a mérő kijelzését a kívánt idő jelzésére. A készülék a menüpont kiválasztását úgy jelzi, hogy a kiválasztott felhasználói beállítás „UP” és a mérő kijelzés felváltva villog a kijelzőn. Ezután tartsa lenyomva a gombot (R) 5 másodpercig. 5 másodperc után a kijelzőn csak az „UP” felirat lesz látható. Ekkor elengedheti a gombot.

A gomb rövid megnyomásával a számláló értéke 500 órás lépésekben növelhető a 4500 órától a 9999-es maximális értékig. A megnövelt érték és az „UP” felirat felváltva villog a kijelzőn.

Ha beállította a kívánt órajelzést, várjon 10 másodpercig. 10 másodperc után a kijelzőn a beállított órajelzés látható, és a számláló elkezd visszafele számolni.

Ha hibásan állította be az órajelzést, tartsa lenyomva a gombot 5 másodpercig, hogy a kijelzés visszaálljon a 4500 órás alaphelyzetbe. Ekkor a számláló értéke 4500 óra lesz, és beállíthatja az új értéket.

- „**dn**” jelentése (le): Ennek a menüpontnak a segítségével lecsökkentheti a mérő kijelzését a kívánt idő jelzésére.

A készülék a menüpont kiválasztását úgy jelzi, hogy a kiválasztott felhasználói beállítás „dn” és a mérő kijelzés felváltva villog a kijelzőn. Ezután tartsa lenyomva a gombot (R) 5 másodpercig. 5 másodperc után a kijelzőn csak a „dn” felirat lesz látható. Ekkor elengedheti a gombot.

A gomb rövid megnyomásával a számláló értéke 500 órás lépésekben csökkenthető a 4500 órától a 0000 minimális értékig. A lecsökkentett érték és a „dn” felirat felváltva villog a kijelzőn.

Ha beállította a kívánt órajelzést, várjon 10 másodpercig. 10 másodperc után a kijelzőn a beállított órajelzés látható, és a számláló elkezd visszafele számolni.

Ha hibásan állította be az órajelzést, tartsa lenyomva a gombot 5 másodpercig, hogy visszaállítsa a kijelzést a 4500 órás alaphelyzetbe. Ekkor a számláló értéke 4500 óra lesz, és beállíthatja az új értéket.

Az időmérő az alábbi módon jelzi, ha cserélni kell az izzót:

- A 0672 óra kijelzéstől kezdve a kijelző másodpercenként villog. Az izzót 4 héten belül ki kell cserélni.
- A 0336 óra kijelzéstől kezdve a kijelző fél másodpercenként villog; Az izzót 2 héten belül ki kell cserélni.
- A 0168 óra kijelzéstől kezdve a kijelző negyed másodpercenként villog; Az izzót 1 héten belül ki kell cserélni.
- 0000 óra kijelzésnél a számjegyek folyamatosan villognak, és a számláló nem számol tovább visszafelé. Ki kell cserélni az izzót.

Szétzerelés / karbantartás

A készülék karbantartása / szétzerelése esetén mindig kapcsolja le az áramellátást.

A készüléket évente kétszer meg kell tisztítani. Fokozott alga és/vagy vízkő lerakódás esetén meg kell tisztítani az izzót magába foglaló kvarcüveg csövet (M). A speciális izzót legkésőbb 9000 üzemóra után ki kell cserélni. A rozsdamentes acél belső részt puha kefével kell megtisztítani.

- 1 Csavarozza ki a három részes csatlakozót (I), és ürítse ki a vizet a készülékből.
- 2 Csavarozza ki a menetes sapkát (N), és csatlakoztassa le az izzót (K) az izzótartóról (L). Vegye ki az izzót a kvarcüvegből, és ha szükséges, cserélje ki a speciális izzót (K). Mivel ezek az alkatrészek törékenyek, fokozott óvatossággal járjon el.
- 3 Óvatosan szerelje ki a kvarcüveget (M) egy nagy, lapos csavarhúzó segítségével (lásd a 3. sz. rajzot). Ne erőltesse!
- 4 Tisztítsa meg a kvarcüveget megfelelő tisztítószerezrel. Mindig puha rongyot használjon az üveg tisztításához, nehogy megkarcolja.
- 5 Ügyeljen a 3 tömitőgyűrű (P) megfelelő felhelyezésére a kvarcüveg cseréjekor a házban, és óvatosan helyezze be a kvarcüveget a helyére (Q) (lásd a 4. sz. rajzot). Ne erőltesse!
- 6 Óvatosan helyezze be az izzót a kvarcüvegbe, és csatlakoztassa az izzót (K) az izzótartóhoz (L). Csavarozza vissza a csavaros sapkát (N) a házra.

- 7 A készülék elektromos egysége a készülék kijelződobozában (S) található. A kijelződoboz le van ragasztva és nem nyitható ki. Ha az elektromos egységet vagy a kijelzőt cserélni kell, az egész dobozt le kell csavarozni, és a vezetékeket le kell csatlakoztatni a készülékről (lásd az 1. sz. rajzot). Csavarozza le a menetes tetőt (N), és óvatosan szerelje le az izzótartót az izzóról. A kiserelt alkatrészeket a földelésnél stb. gondosan meg kell őrizni, mivel azokat nem szállítjuk az új házzal vagy elektromos egységgel. Ha nem ért valamit a bekötésekkel kapcsolatban, beszéljen szakemberrel.
- 8 Ha a házat ki kell cserélni, a földelést (J) és a kijelzővel rendelkező elektromos egységet (S) kell először lecsatlakoztatni a házról (U) (lásd az 1. és 2. sz. rajzot). Csavarozza le a kijelzővel rendelkező elektromos egységet (S) és az izzótartót a házról. Gondosan őrizze meg a földelés leszerelt alkatrészeit, mivel azokat nem szállítjuk az új házzal. Szerelje ki az izzót (K) és a kvarcüveget (M) a házból, nehogy azok megsérüljenek a szállítás során. Ha nem ért valamit a bekötésekkel kapcsolatban, beszéljen szakemberrel.

Műszaki adatok	40 000 l	75 000 l
• Philips TUV T5 izzó	40 Watt	75 Watt
• UV-C teljesítmény (W)	15 Watt	25 Watt
• UV-C (%) 4 500 óra után	85%	80%
• UV-C (%) 9 000 óra után	0%	0%
• Medence térfogat (l)	40 000 l	75 000 l
• Max. átteresztőképesség	20 000 l/óra	25 000 l/óra
• Max. nyomás	3 bar	3 bar
• Max. hőmérséklet	35 °C	35 °C
• Min. hőmérséklet	0 °C	0 °C
• Csatlakozási méret	Ø 63 mm / Ø 50 mm	Ø 63 mm / Ø 50 mm
• A készülék hossza	100 cm	100 cm

UV-C rendszertípusok

Cikkszám: B210002 Blue Lagoon UV-C Timer 40 000 l / 40 Watt (230 V; 50/60 Hz)

Cikkszám: B210003 Blue Lagoon UV-C Timer 75 000 l / 75 Watt (230 V; 50/60 Hz)

Csereizzók

Cikkszám: E800901 Philips izzó, TUV 36T5 4P-SE típus (40 Watt)

Cikkszám: E800902 Philips izzó, TUV 36T5 H0 4P-SE típus (75 Watt)

Garancia feltételek

A termék garanciája a gyártási hibákra terjed ki a vásárlás időpontjától számított 24 hónapos időre. A garancia nem terjed ki az izzóra és a kvarcüvegre. A garanciális igényekkel csak akkor foglalkozunk, ha a terméket a vásárlást igazoló érvényes nyugtával együtt postai díj kifizetésével küldik vissza. Garanciális javítást kizárólag csak a szállító végezhet.

A készülék nem megfelelő beszerelésére vagy kezelésére visszavezethető hibák miatti garanciális igényekkel nem foglalkozunk. A nem megfelelő karbantartás miatti meghibásodásokra szintén nem vonatkozik a garancia. A szállító semmilyen módon sem felel a termék helytelen használatából eredő károkért. A szállító nem felel a készülék meghibásodása miatt bekövetkező járulékos károkért. A szállítási sérülésekkel kapcsolatos panaszokkal csak akkor foglalkozunk, ha a kárt a szállító vagy a posta általi kiszállításkor megállapították, illetve igazolták. Kárigény csak a szállítóval vagy a postával szemben érvényesíthető ebben az esetben.

Дезинфицирующее устройство Blue Lagoon UV-C Timer 4000 – 75000 RU

Перед установкой устройства внимательно ознакомьтесь с данной инструкцией по эксплуатации.

Принцип работы

Ультрафиолетовая лампа фирмы Philips, установленная в устройстве Blue Lagoon UV-C Timer, излучает свет диапазона UV-C с длиной волны 253.7 нм, смертельный для бактерий (включая бактерии Legionella). Устройство Blue Lagoon UV-C Timer эффективно и без вреда для окружающей среды поддерживает воду в вашем бассейне в чистом, свежем и прозрачном состоянии. Вода прокачивается через устройство облучения UV-C с помощью насоса. Ультрафиолетовый свет диапазона UV-C обезвреживает бактерии, вирусы и другие низшие организмы и останавливает их размножение. Дезинфицирующее устройство Blue Lagoon UV-C Timer имеет встроенный электронный балласт, который сглаживает колебания тока, защищая лампу. Кроме того, в устройство встроен таймер, который точно учитывает количество наработанных часов. Это позволяет точно определить, когда необходимо менять лампу. Внутренность устройства, выполненная из нержавеющей стали, отражает ультрафиолетовый свет, что дополнительно увеличивает эффективность облучения на величину до 35%. Устройство Blue Lagoon UV-C Timer эффективно и безопасно дезинфицирует воду вашего бассейна, поддерживая ее в великолепном состоянии.

Преимущества обработки ультрафиолетом UV-C:

- Гарантирует свежую, чистую и прозрачную воду
- Эффективно и безопасно дезинфицирует воду
- Ультрафиолетовое излучение UV-C разрушает связанный хлор
- Защищает бассейн от микробов
- Препятствует образованию плесени, бактериального налета и водорослей
- Позволяет снизить использование хлора и других химикатов на величину до 80%
- Избавляет от запаха хлора и раздражения кожи и глаз (“красные глаза”)
- Более экологичная методика, чем традиционные

Характеристики устройства Blue Lagoon UV-C Timer:

- Встроенный электронный регулятор, обеспечивающий более стабильное питание
- Повышение интенсивности излучения UV-C на величину до 35% благодаря корпусу из нержавеющей стали
- Комплектуется лампой UV-C производства Philips со сроком службы 9000 часов
- Встроенный регулируемый таймер для лампы UV-C
- Цветовой индикатор необходимости замены лампы
- Корпус из нержавеющей стали 316L
- Простота установки и технического обслуживания
- 2-летняя гарантия от производственных дефектов
- Заземление
- Переходники Ø63 мм - Ø50 мм в комплекте поставки

Безопасность

Это устройство создает опасное излучение, которое при прямом попадании может быть вредным для глаз и кожи.

Проверяйте работу лампы UV-C только через прозрачные детали устройства.

- Перед техническим обслуживанием или ремонтом устройства выньте вилку из розетки. Запрещается вставлять вилку в розетку или вынимать вилку из розетки мокрыми руками или стоя в воде.
- Не допускайте детей к устройству и проводу питания.
- Запрещается заменять кабель питания устройства. В случае повреждения кабеля питания необходимо заменить все устройство целиком. Не демонтируйте вилку; разбирать электрический блок запрещается. В случае снятия электрической вилки гарантия на электрический блок аннулируется.
- Запрещается устанавливать устройство в месте, подверженном воздействию открытого солнечного света.
- Когда лампа горит, через устройство обязательно должна течь вода.
- После выключения устройства лампа остается горячей в течение примерно 10 минут.
- Не пользуйтесь устройством при повреждении каких-либо компонентов (особенно кварцевой трубки).
- Демонтируйте устройство на зиму, если есть риск замерзания.
- Корпус устройства, выполненный из нержавеющей стали, не рассчитан на работу в соленой воде с высоким содержанием солей. При высоком содержании солей возможна коррозия корпуса, которая приведет к неустраняемому повреждению устройства.
- Устройство разрешается использовать только в строгом соответствии с данной инструкцией по эксплуатации.

Подключение заземления (рис. 1)

- 1 Пропустите кабель (В) через пластиковый держатель (F) и затем наденьте держатель (F) на болт заземления (А). Расположите держатель (F) на расстоянии примерно 10 см от клеммы (Н) кабеля заземления (В).
- 2 Наденьте клемму (Н) кабеля (В) на болт заземления (А), находящийся на корпусе.
- 3 Установите поверх клеммы (Н) зубчатую стопорную шайбу (С), шестигранную гайку (D) и вторую зубчатую стопорную шайбу (Е).
- 4 Наденьте сверху держатель (F), чтобы образовалась петля Ø5 см.
- 5 Наверните стопорную гайку (G) на болт заземления (А).
- 6 Установив все гайки на болт заземления (А) в правильном порядке, затяните их рожковым или кольцевым ключом №8. Не затягивайте слишком сильно, чтобы держатель не треснул. (Прозрачная гайка, которая была накручена на болт заземления (А) при поставке, больше не потребуется, и ее можно выбросить).

Установка устройства (Рис. 2)

Запрещается устанавливать устройство Blue Lagoon UV-C Timer после регулятора pH или установки электролиза солей бассейна. Наилучшее местоположение устройства - после насоса и фильтра. Запрещается погружать устройство в воду. Устройство устанавливается вне бассейна. Когда лампа горит, через устройство обязательно должна течь вода.

- 1 Выберите место для установки устройства. Обязательно предусмотрите свободное место примерно 1 м, чтобы можно было снять лампу (К) / кварцевую трубку (М) для замены и/или технического обслуживания.
- 2 Установите прилагаемые зажимы (O) в соответствующие положения, вставьте с усилием устройство в зажимы и затяните тройник-соединитель (I). Обратите внимание на правильность положения уплотнительных колец (P) относительно соединителей и кварцевой трубки (см. рис. 2).
- 3 Присоедините устройство к трубопроводу с помощью тройников (I). Вход и выход тройников имеют Ø 63 мм. Если диаметр ваших труб меньше 63 мм, можно использовать переходник (Ø 63 x Ø 50 мм) (Т). Его необходимо приклеить к тройнику (I). С одной стороны переходник (Т) имеет внутреннюю резьбу, что позволяет при необходимости присоединить к нему еще один переходник с уплотнительным кольцом (не входит в комплект поставки). Переходники в комплекте можно приобрести у местного дистрибьютора (№ по каталогу B290020).
- 4 Свинтите резьбовое кольцо (N) с корпуса (А). Выньте лампу UV-C (К) из футляра (см. комплект поставки) и аккуратно вставьте ее в кварцевую трубку (М). Аккуратно присоедините белый патрон (L) к лампе UV-C (К) и навинтите резьбовое кольцо (N) на корпус (U), затянув его рукой.
- 5 Включите насос и проверьте протекание воды через систему и отсутствие утечек.
- 6 Включите вилку устройства в розетку, снабженную защитным заземлением и подключенную через автомат УЗО. Проверьте через прозрачные детали устройства, что лампа горит. Для выключения устройства выньте вилку из розетки.

Использование цифрового таймера

После включения устройства Blue Lagoon UV-C Timer запускается программа самотестирования. На дисплее последовательно отображаются следующие данные: 8888 (проверка дисплея) ; г и номер версии программного обеспечения ; 50Н или 60Н (частота сети) После этого на дисплее появляется значение таймера.

При первом включении лампы UV-C или после операции сброса на дисплее отображается число 4500. Точка рядом с крайней правой цифрой дисплея будет мигать раз в секунду; это означает, что таймер работает.

На дисплее автоматически отображается значение заводской настройки - 4500 часов. Лампа UV-C способна работать со 100%-ной отдачей до 4500 часов. После 4500 часов излучение начинает ослабевать и может стать недостаточным для достижения желаемого результата.

При включении лампы UV-C, которая раньше была в работе, на дисплее отображается значение, которое было при выключении. Если вы увеличивали или уменьшали значение таймера вручную, на дисплее будет показано последнее значение, которое было на нем перед выключением.

Показания таймера можно при желании менять. Для этого:

Нажмите на кнопку (R) под дисплеем на 5 секунд. На дисплее появится индикация "rSt", указывающая, что выбрано пользовательские меню. После отпускания кнопки (R) на индикаторе будут попеременно мигать показания таймера и "rSt". Теперь, коротко нажимая на кнопку, можно двигаться по пунктам меню. Меню имеет 3 пункта: "rSt", "UP" и "dn".

- **"rSt"** означает "сброс". Этот пункт позволяет сбросить показания таймера к заводскому значению (4500 часов). Когда выбран этот пункт, на дисплее попеременно мигают показания счетчика и "rSt". Если нажать кнопку (R) на 5 секунд, на дисплее появится индикация 4500. Если теперь отпустить кнопку, отсчет таймера начнется заново с 4500 часов. Это делается, например, если вы заменили лампу или изменили показания таймера вручную и хотите вернуть их к заводскому значению.

- **"UP"** означает "вверх": Этот пункт позволяет увеличить показания таймера до желаемого значения. Когда выбран этот пункт, на дисплее попеременно мигают "UP" и показания таймера. После этого нажмите кнопку (R) на 5 секунд. Через 5 секунд на дисплее появится постоянная индикация "UP". После этого можно отпустить кнопку.

Теперь, коротко нажимая на кнопку, можно увеличивать значение таймера с шагом 500 часов от значения 4500 до максимально возможного значения 9999. На дисплее будут попеременно мигать новое значение и "UP".

Дойдя до желаемого значения, подождите 10 секунд. Через 10 секунд желаемое значение отобразится на дисплее, и таймер начнет отсчет с него.

Если вы ошиблись при увеличении значения таймера, можно сбросить таймер на 4500, нажав кнопку на 5 секунд. Таймер будет сброшен на 4500, и установку можно будет начать заново.

- **"dn"** означает "вниз": Этот пункт позволяет уменьшить показания таймера до желаемого значения.

Когда выбран этот пункт, на дисплее попеременно мигают "dn" и показания таймера. После этого нажмите кнопку (R) на 5 секунд. Через 5 секунд на дисплее появится постоянная индикация "dn". После этого можно отпустить кнопку.

Теперь, коротко нажимая на кнопку, можно уменьшать значение таймера с шагом 500 часов от значения 4500 до минимально возможного значения 0000. На дисплее будут попеременно мигать новое значение и "dn".

Дойдя до желаемого значения, подождите 10 секунд. Через 10 секунд желаемое значение отобразится на дисплее, и таймер начнет отсчет с него.

Если вы ошиблись при уменьшении значения таймера, можно сбросить таймер на 4500, нажав кнопку на 5 секунд. Таймер будет сброшен на 4500, и установку можно будет начать заново.

Таймер показывает необходимость замены лампы следующим образом:

- Начиная с часа 0672: дисплей будет мигать каждую секунду. Лампу необходимо заменить в ближайшие 4 недели.
- Начиная с часа 0336: дисплей будет мигать каждые полсекунды; лампу необходимо заменить в ближайшие 2 недели.
- Начиная с часа 0168: дисплей будет мигать каждую ¼ секунды; лампу необходимо заменить в ближайшую неделю.
- При показаниях 0000: цифры будут мигать непрерывно, отсчет таймера прекратится. Лампу необходимо заменить.

Демонтаж и техническое обслуживание

Перед техническим обслуживанием или демонтажом устройства обязательно отключите электропитание.

Устройство необходимо чистить два раза в год. При появлении водорослей и/или накипи необходимо очистить трубку из кварцевого стекла (M), в которой находится лампа. Специальную лампу необходимо менять не более чем через 9000 часов работы. Внутренность корпуса из нержавеющей стали можно чистить мягкой щеткой.

- 1 Развинтите тройники (I) и слейте воду из устройства .
- 2 Отверните резьбовую крышку (N) и отсоедините лампу (K) от патрона (L). Выньте лампу (K) из кварцевой трубки и при необходимости замените. Будьте предельно осторожны, эти детали очень хрупкие.
- 3 Аккуратно выньте кварцевую трубку (M) с помощью большой плоской отвертки (см. рис. 3). Не прикладывайте силу!
- 4 Очистите кварцевую трубку подходящим чистящим средством. Во избежание образования царапин при очистке пользуйтесь только мягкой тканью.
- 5 При установке кварцевой трубки в корпус обратите внимание на правильность положения трех уплотнительных колец (P) и аккуратно вставьте конец кварцевой трубки во входное отверстие(Q) (см. рис. 4). Не прикладывайте силу!
- 6 Аккуратно вставьте лампу (K) в кварцевую трубку и подключите лампу к патрону (L). Наверните резьбовую крышку (N) на корпус.
- 7 Электрический блок устройства располагается в пульте управления (S) устройства. Пульт загерметизирован и вскрытию не подлежит. Для замены электрического блока или дисплея необходимо отвинтить весь пульт управления и отсоединить провода от устройства (см. рис. 1). Отверните верхнюю крышку (N) и аккуратно снимите патрон с лампы. Сохраняйте все освободившиеся детали, например, от заземления и т.п., поскольку они не входят в комплект поставки нового корпуса или электрического блока. Если при подключении возникнут сомнения, обратитесь к опытному специалисту по установке.

8 Если необходимо заменить корпус, сначала отсоедините от корпуса (U) заземление (J) и электрический блок с дисплеем (S) (см. рис. 1 и 2). Отвинтите электрический блок с дисплеем (S) и патрон лампы от корпуса. Сохраняйте все освободившиеся детали заземления, поскольку они не входят в комплект поставки нового корпуса. Выньте лампу (K) и кварцевую трубку (M) из корпуса, чтобы они не разбились при транспортировке. Если при подключении возникнут сомнения, обратитесь к опытному специалисту по установке.

Технические характеристики	40000 л	70000 л
• Лампа Philips TUV T5 C	40 Вт	75 Вт
• Мощность излучения UV-C (Вт)	15 Вт	25 Вт
• Интенсивность излучения UV-C (%) после 4500 часов	85%	80%
• Интенсивность излучения UV-C (%) после 4500 часов	85%	80%
• Объем бассейна (л)	40000 л	70000 л
• Макс. пропускная способность	20000 л/ч	25000 л/ч
• Макс. давление	3 бар	3 бар
• Макс. температура	35°C	35°C
• Мин. температура	0°C	0°C
• Присоединительный размер	Ø63 мм/Ø50 мм	Ø63 мм/Ø50 мм
• Длина устройства	100 см	100 см

Типы систем UV-C

Артикул: B210002 Blue Lagoon UV-C Timer 40000 л / 40 Вт (230 В; 50/60 Гц)

Артикул: B210003 Blue Lagoon UV-C Timer 75000 л / 75 Вт (230 В; 50/60 Гц)

Запасные лампы

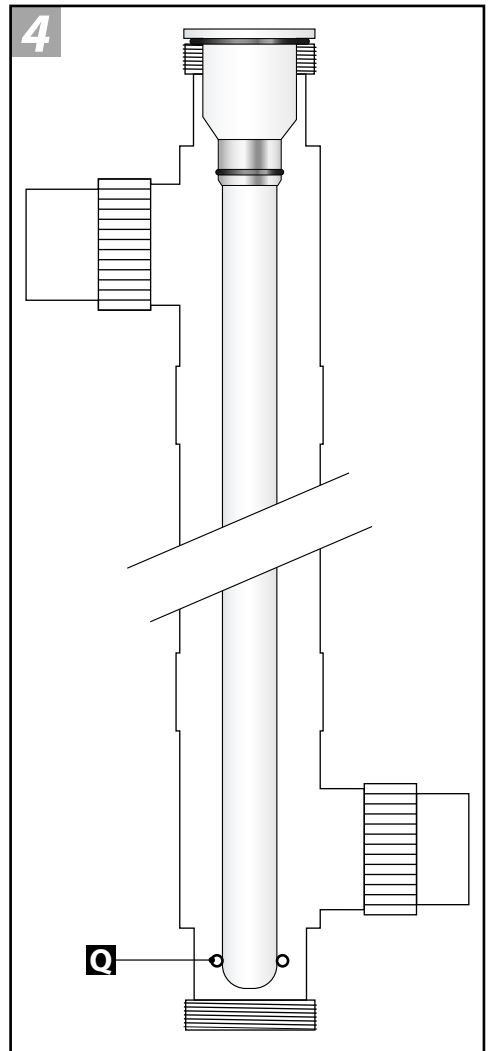
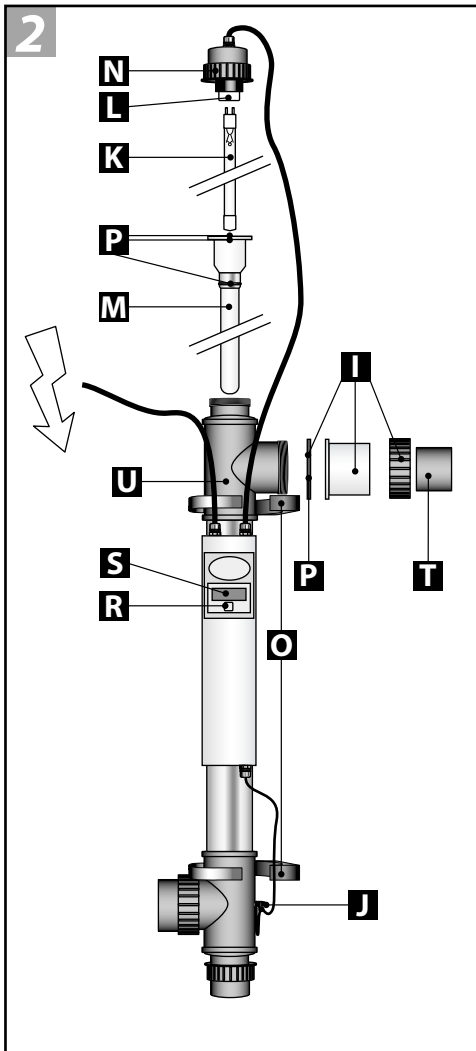
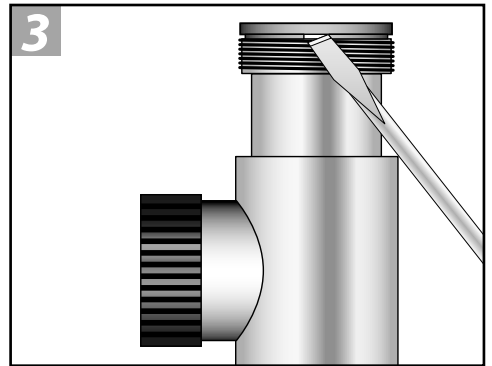
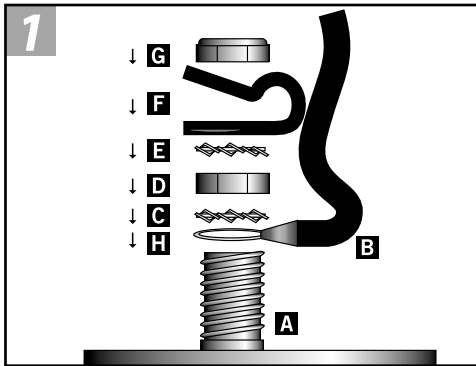
Артикул: E800901 Philips тип TUV 36T5 4P-SE (40 Вт)

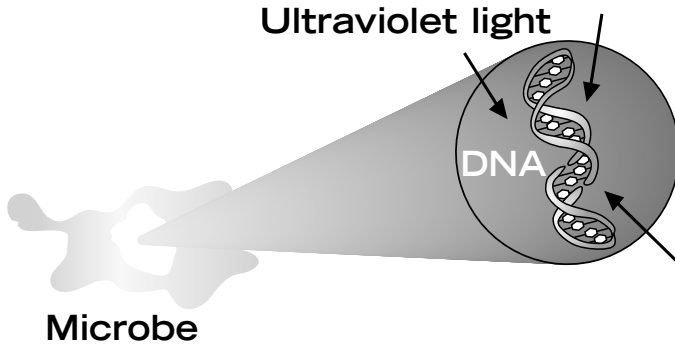
Артикул: E800902 Philips тип TUV 36T5 HO 4P-SE (75 Вт)

Условия гарантии

На данное устройство предоставляется гарантия от производственных дефектов сроком 24 месяца со дня покупки. Гарантия не распространяется на лампу и кварцевую трубку. Гарантийные претензии принимаются только при возврате изделия с предоплаченными почтовыми расходами с приложением подлинника документа, подтверждающего покупку. Гарантийный ремонт производится только поставщиком.

Гарантийные претензии по неисправностям, вызванным нарушениями при установке или эксплуатации устройства, не принимаются. Гарантия не распространяется на неисправности, обусловленные ненадлежащим техническим обслуживанием. Поставщик не несет ответственности за ущерб, вызванный неправильной эксплуатацией устройства. Поставщик не несет ответственности за любой косвенный ущерб, обусловленный неисправностью устройства. Претензии по повреждениям при транспортировке принимаются только в случае, если повреждения обнаружены при доставке и подтверждены перевозчиком или почтовой службой. В этом случае претензии могут быть предъявлены только перевозчику или почтовой службе.





How UV-C works

The molecular structure of the DNA is broken down rendering the microbe harmless

Recycling informatie

Het symbool van de afvalbak op dit product geeft aan dat het product (als het niet meer wordt gebruikt) niet met het reguliere vuilnis mag worden aangeboden, maar dat het op de speciaal hiervoor ingerichte collectiepunten moet worden aangeboden voor recycling. Als alternatief kunt u het product ook aanbieden op het adres waar het is gekocht op het moment dat u een nieuw product koopt. Maar dit mag alleen op basis van 1 op 1. Een gescheiden afvalcollectie is beter voor het milieu en het helpt om door recycling de grondstoffen weer opnieuw te gebruiken. Elke andere manier van afval- verwerking met betrekking op dit product is strafbaar.

NL



Information de recyclage

Le symbole du container barre sur le produit veut dire que le appareil doit être recycle séparé. Le usageur, a la fin du vie de le appareil, doit ramene le appareil a un centre de recyclage des appareils électrique. Une alternative est de le ramene a le vendeur sur le moment de une achat de une nouvelle produit, sur le base 1 sur 1. Une recyclage alternative est tres saine pour le environnement, et aide a une recyclage de materiel, une autre methode de jete le appareil est illegal, et sera puni par la loi.

F

Informationen das Recyclage

Das Kennzeichen auf die Packung bedeutet dass es getrennt, von normalles Müll gesammelt werden muss, wenn das Gerät nicht mehr nutzbar ist. Wenn das Produkt kaputt ist soll der Besitzer es zu ein Sammelpunkt für elektrische Haushaltgeräte bringen. Oder wenn der Besitzer ein neues Gerät kaufen möchte kann Er/Sie das alte Gerät beim Verkäufer hinterlassen, nur 1 um 1 austauschbar. Getrenntes sammlung ist Umwelt freundlich und hilft dazu die alte Materialien neu nutzbar zu machen. Jeder andere / sonstige weise von sammeln ist nicht rechtsgültig.

D

Recycle information

The symbol of the barred bin printed on the product means that it must be collected separately from other rubbish when it will not be anymore in use. The user, at the end of the life of the product, will have to bring it to a proper rubbish collection centre for electric and electrical devices. Alternatively he can return the used product to the seller at the moment he buys a new unit, but only in proportion 1 to 1. A differentiated refuse collection is environmentally friendly and it helps the recycle of the materials, any other collection procedure is unlawful and will be subject to the law in force.

GB

