



# MAESTRO CONTROL PANEL

## MAESTRO BEDIENTAFEL

**CODE 4021004 - LIFT SQUARE STOVES/LIFT VIERECKIGE ÖFEN**

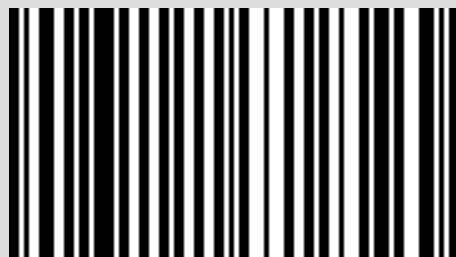
**CODE 4021005 - LIFT ROUND STOVES/LIFT VIERECKIGE ÖFEN**

**CODE 4021001 - RECESSED/FÜR EINBAUINSALLATION**

**CODE 4021002 - WALL MOUNTED/ FÜR WANDINSTALLATION**

**CODE 4021003 - LIFT HYDRO JAZZ STOVES/ LIFT HYDRO JAZZ**

**ÖFEN**



8902023601

**TABLE OF CONTENTS ..... II**

**INTRODUCTION .....3**

**1- WARRANTY CONDITIONS .....4**

**2 GENERAL INFORMATION .....6**

**3 SYSTEM REQUIREMENTS .....7**

**4-INSTALLATION .....8**

**5-OPERATION .....16**

**6 - OPERATING MODE .....20**

**7 - VENTILATION .....24**

**8 - BASIC SETTINGSN .....25**

**9 - FUNCTIONS .....26**

**10 - SETTINGS .....28**

**11 - INFO MENU .....29**

**Instructions in English**

Dear Customer,

to get the best performance, we suggest you read the instructions in this manual carefully.

This installation guide is an integral part of the product: ensure that the manual is always supplied with the appliance, even if it changes owner. If the manual is lost, you can request another copy from the local Technical Dept. or download it directly from the company's website.

All local regulations, including those referring to national and European standards, must be observed when installing the appliance.

In Italy, for the installation of systems with a biomass below 35KW, refer to Italian Ministerial Decree 37/08 and the qualified installation technician with the suitable requirements must issue a certificate of compliance for the system installed. (By system we intend Stove+Flue+Air vent).

## REVISIONS TO THE PUBLICATION

The content of this manual is strictly technical and the property of the manufacturer.



No part of this manual can be translated into another language and/or altered and/or reproduced, even partially, in another form, by mechanical or electronic means, photocopied, recorded or similar, without prior written approval from the manufacturer.

The company reserves the right to make changes to the product at any time without prior notice. The proprietary company reserves its rights according to law.

## CARE OF THE MANUAL AND HOW TO CONSULT IT

- Take care of this manual and keep it in an easily and quickly accessible place.
- Should the manual be misplaced or destroyed, request a copy from your retailer or directly from the authorised Technical Assistance Department. You can also download it directly from the company's website.
- "**Bold text**" requires special attention.
- "*Text in italics*" is used to draw your attention to other paragraphs in the manual or for any additional clarifications.
- "NOTE" provides the reader with additional information.

## SYMBOLS USED IN THE MANUAL

	<p><b>ATTENTION:</b> Read the corresponding message with care because <b>failure to observe the information provided could result in serious damage to the product and danger to the persons who use it.</b></p>
	<p><b>INFORMATION:</b> failure to comply with these provisions will compromise use of the product.</p>

## SAFETY PRECAUTIONS

- **The installation, electrical connection, operating test and maintenance must only be carried out by authorised and qualified personnel.**
- **Install the product in accordance with all local and national legislation and regulations in force in the region or country.**
- The instructions provided in this manual must always be complied with to ensure the product and any electronic appliances connected to it are used correctly and accidents are prevented.
- The user, or whoever is operating the product, must read and fully understand the content of this installation guide before performing any operation. Errors or incorrect settings can cause hazardous conditions and/or poor operation.
- Any liability for improper use of the product is entirely borne by the user and relieves the Manufacturer from any civil and criminal liability.
- Any kind of tampering or unauthorised replacement with non-original spare parts could be hazardous for the operator's safety and relieves the company from any civil and criminal liability.
- The product must be powered by an electrical system that is equipped with an effective earthing system.
- Do not wash the product with water.
- Install the product in a location that does not present a fire hazard and is equipped with power and air supplies, and smoke outlets.
- The product and the cladding must be stored in a dry place and must not be exposed to weathering.

## WARRANTY CONDITIONS

The company guarantees the product, **excluding the components which are subject to normal wear**, for a period of **two years** from the date of purchase, as proven by a supporting document which gives the name of the vendor and the date on which the sale took place. The warranty is conditional on the warranty certificate being filled in and returned within 8 days, and requires that the product be installed and tested by a specialised installer, according to the detailed instructions given in the instruction manual supplied with the product.

The warranty covers the replacement or free repair **of parts recognised as being faulty at source due to manufacturing defects**.

## EXCLUSIONS

The warranty does not cover any part that may be faulty as a result of negligence or careless use, incorrect maintenance or installation that does not comply with the company's instructions (see the relative chapters in this user manual).

The company does not guarantee that the remote connection to the stove is always active through the Internet network. Thus, it cannot be held responsible for any damage deriving from failure to connect to the stove.

The company declines all liability for any damage which may be caused, directly or indirectly, to persons, animals or objects as a consequence of non-compliance with all the prescriptions specified in the manual, especially warnings regarding installation, use and maintenance of the product.

If the product does not work correctly, contact your local retailer and/or importer.

Damage caused during transport and/or when handled is excluded from the warranty.

The supplied installation guide is the only reference for installation and product use.

The warranty will be considered null and void in the event of damage caused by tampering, atmospheric agents, natural disasters, electrical discharges, fire, defects in the electrical system and maintenance not being performed at all or as indicated by the manufacturer.

**WARNINGS**

- The panel must be installed and connected to the motherboard only with electric power DISCONNECTED. The manufacturer will not be held liable for any malfunctioning in case of damage resulting from failure to comply with this indication.
- Only power on the appliance when the connection to the panel and motherboard is finished
- The connection cable MUST always pass through zones not in contact with the direct heat of the stove or of the combustion chamber.
- Follow the intended passage points for wiring as indicated in this instruction manual
- The connection cable MUST NEVER be more than 2 m long. Any extensions can lead to malfunctioning and loss of communication, thus entailing anomalous behaviour of the appliance. In this case, the manufacturer disclaims liability for any anomalies, incorrect or abnormal behaviour of the appliance and damage to the same or to the user.

**INFORMATION**

- The control panel is a further control interface for the stove and works IN CONJUNCTION with the APPS used from Smartphones, with the remote control and with the emergency panel on the stove. This means that the commands set from the APP are also displayed on the panel and vice versa.
- It takes the display 15 seconds to refresh (time required for the display to get the information from the motherboard memory) for basic commands (power and ventilation) and 3 seconds for operating information (INFO screen). This means that when a command is given from the APP on the smartphone, there will be a slight delay (max 10 seconds) for it to appear considering the required times above.
- The optional MAESTRO panel does NOT have an internal probe. Temperature regulations are carried out based on the local probe of the stove, on the WI-FI probe (optional) and on an external thermostat.
- All optional control panels are compatible with MAESTRO appliances. The various models have different assembly supports but the same internal electronics. The following models are available:
  - LIFT: Control panel equipped with push-pull extraction system to be installed on the back of the stove
  - LIFT for ROUND stoves: controls equipped with push-pull extraction system to be installed on the back of a round shaped stove (see HALO, MOOD, etc..)
  - RECESSED: Control panel equipped with a wall or plasterboard recessed box to insert the panel in a wall (ideal for MAESTRO pellet inserts)
  - WALL MOUNTED: Control panel equipped with support to be fixed to the wall to install the panel near the appliance without performing masonry work. Also ideal for products which due to their aesthetic features (for example products completely lined in ceramic like CURVE), the LIFT model control panel cannot be mounted on them
  - LIFT for JAZZ hydro stove fitted with a panel with knockout hole for insertion and connection purposes

### SYSTEM REQUIREMENTS

#### EQUIPMENT

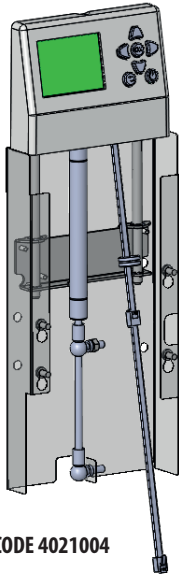
Equipped with MAESTRO system

#### OPERATION

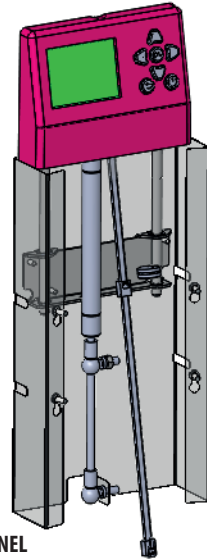
The control panel is compatible and operates according to the plug and play logic. Simply perform the electrical connection and fully enjoy the features of the accessory.

## INSTALLATION OF CONTROL PANELS "LIFT" CODE 4021004 AND "LIFT" FOR ROUND STOVES CODE 4021005

The LIFT control panel with vertical push-pull extraction was designed to be installed on the back of the appliance configured accordingly. Its concealed movement allows the panel to be recovered so that it remains invisible when not used, allowing the aesthetics of the product to remain unchanged.



LIFT CONTROL PANEL CODE 4021004

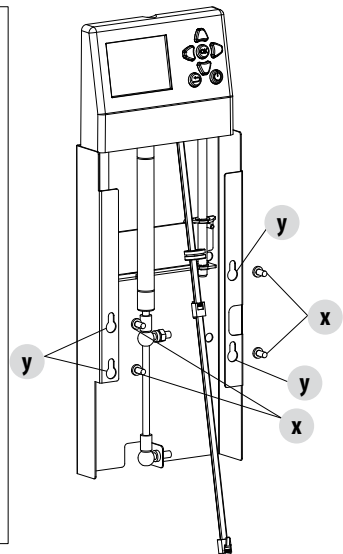
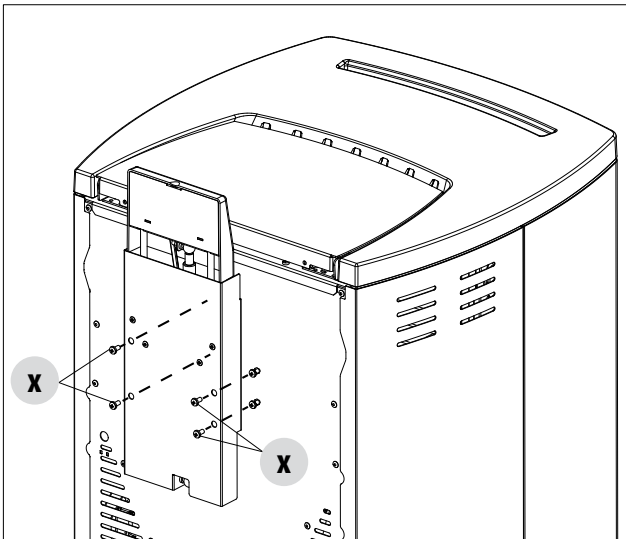


ROUND LIFT CONTROL PANEL CODE 4021005

### MECHANICAL INSTALLATION

Install the panel as shown in the figure, applying the 4 supplied screws "x" on the back of the product.

It is recommended to pre-assemble the 4 screws "x" on the back of the product without tightening them, insert the panel support making use of the specific slots "y", fasten the panel with a quick downward movement and then tighten the screws "x" from outside the product.





**ELECTRICAL INSTALLATION**

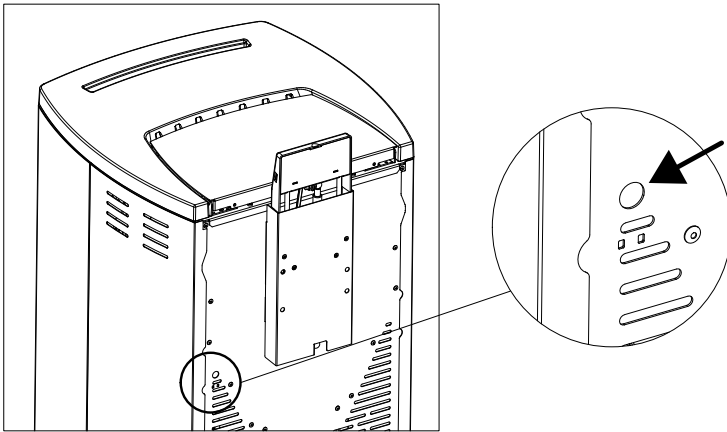
Pass the electric cable coming out of the panel into the designed hole on the back of the stove.

The supply includes adhesive clips to be attached to the steel back so that the cable adheres to the back of the product, thanks to the electric clamps, so that the cable does not remain dangling or cannot be inadvertently pulled.

Before securing the cable with clamps and clips, we recommend opening the panel (as in the operating position) to verify the necessary elongation of the connection cable for the opening movement. Fix the clips and clamps with the panel in this position.

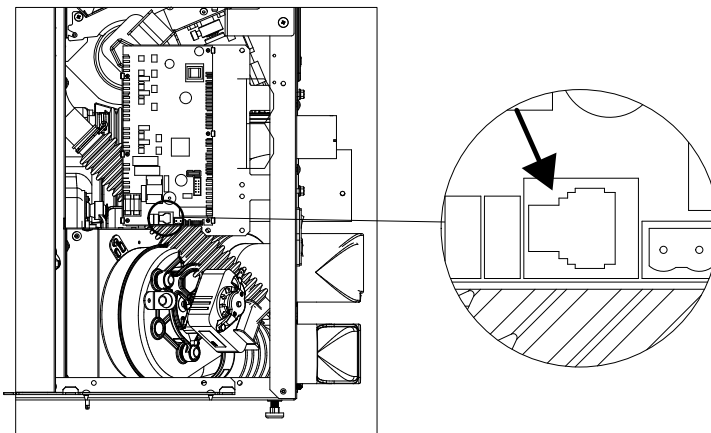


***Don't tighten the clamps or deform the cable, but let it slide slightly inside the clamp, leaving it a bit loose. The clamp has the aesthetic purpose of not allowing the cable to protrude and not that of creating a block. In some cases and/or appliances the cable might not even need to be fixed, leaving it full freedom of movement***



Remove the decorative panel according to the manual of the product on which the assembly is being carried out and connect the RJ11 plug (similar to a twisted pair cable) to the specific connector on the board (see picture).

The appliance can only be powered on when the mechanical and electrical installation has been performed.

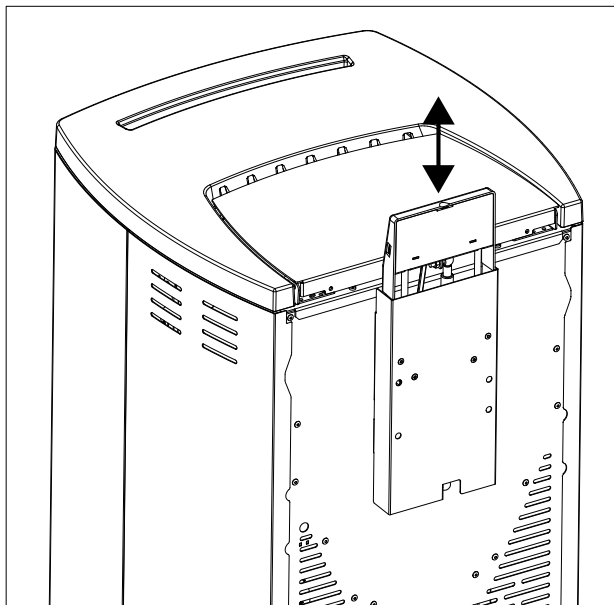


### OPENING THE LIFT PANEL

To open the panel, gently press the top in the middle, where there is a notch, until you hear a short click. Move your hand away and the internal gas piston will automatically lift the display.

### CLOSING THE LIFT PANEL

To close the panel, proceed in the opposite order by gently pressing the middle of the display where there is a notch downwards, until the recover position when you hear a second click indicating the mechanical locking of the piston.



*The tutorial videos for installation of this accessory can be found on the website*

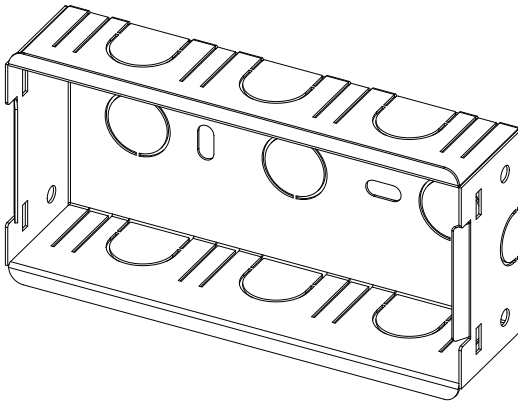
**INSTALLATION OF RECESSED CONTROL PANEL CODE 4021001**

The recessed control panel was built for all MAESTRO products, such as the inserts, which are mainly snapped into a decorative cladding. This panel is compatible with any MAESTRO appliance.

**MECHANICAL INSTALLATION**

Install the recessed box of the MAESTRO panel into the wall or plasterboard using foam or fast setting cement like for standard electric boxes, or, when installing on plasterboard, into the arranged holes to screw the metal box on an upright of the structure.

Bring an appropriately sized electric conduit from the appliance to the inside of the recessed box to pass the RJ11 plug of the connection cable. It is recommended to use an electric conduit at least 20 mm large which corresponds to the size of the pre-perforations inside the electric box of the panel

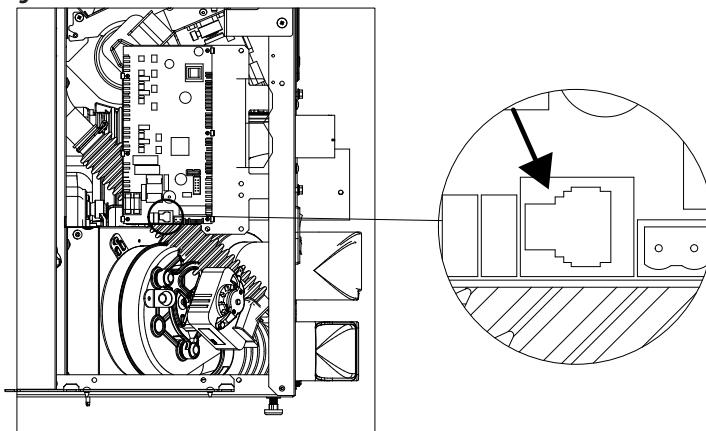
**ELECTRICAL INSTALLATION**

Pass the supplied electric cable into the conduit. The cable must not be more than 2 linear meters long.

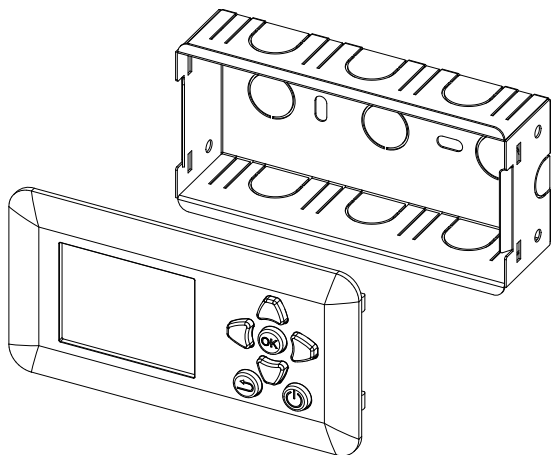
The cable and/or conduit must never pass through areas in contact with the direct heat of the appliance or of the combustion chamber.

Connect the RJ11 plug (similar to a twisted pair cable) to the specific connector on the board (see picture) and on the display

**PLEASE NOTE** Inside the box secure a "coil" of cable with the provided clamp so that the display can be taken out for updating.



Snap the display onto the electric box, using the specific slots.



If you need to remove the display, press gently on the side of the display frame to release the internal lugs from their slots.



*The tutorial videos for installation of this accessory can be found on the website*

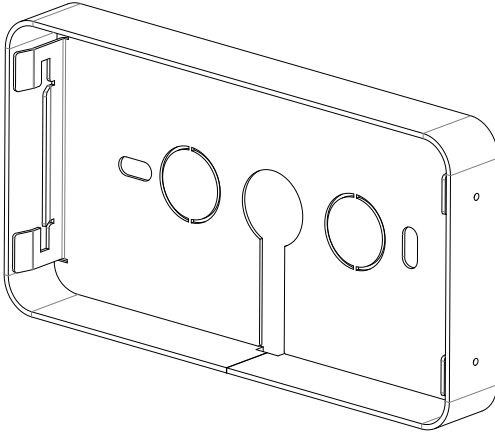
### INSTALLATION OF WALL MOUNTED CONTROL PANEL CODE 4021002

This panel is compatible with any MAESTRO appliance.

#### MECHANICAL INSTALLATION

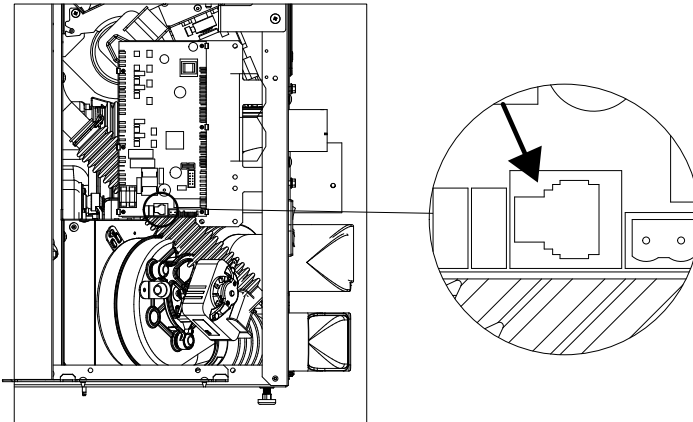
Install the metal box containing the MAESTRO panel on the wall near the appliance using  $\varnothing 6$  mm "Fischer" fasteners.

Bring the electric wiring of the panel from the appliance into the recessed box.



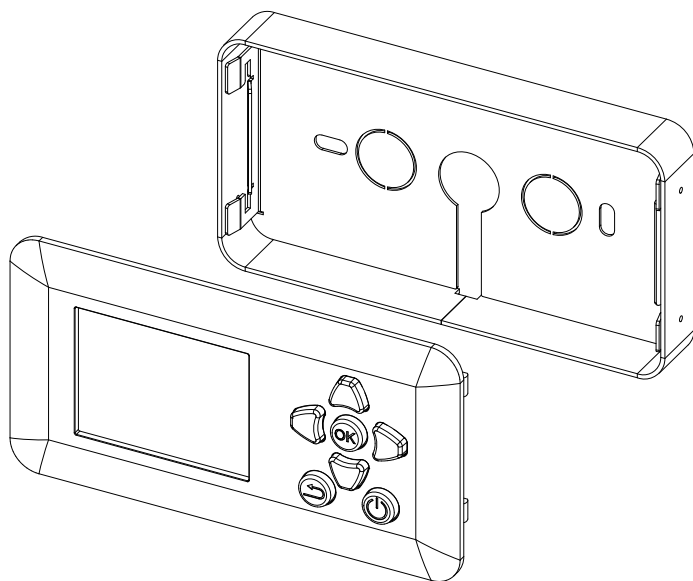
#### ELECTRICAL INSTALLATION

Connect the RJ11 plug (similar to a twisted pair cable) to the specific connector on the board (see picture) and on the display. House the cable flush on the wall or appliance so that it is not inadvertently pulled



Snap the display onto the electric box, using the specific slots.

**PLEASE NOTE** Inside the box leave a "coil" of cable so that the display can be taken out for updating.



If you need to remove the display, press gently on the side of the display frame to release the internal lugs from their slots, or use a pointed instrument (even a paper clip) to press gently on the side holes making it easier to remove the lugs from their slots.



*The tutorial videos for installation of this accessory can be found on the website*

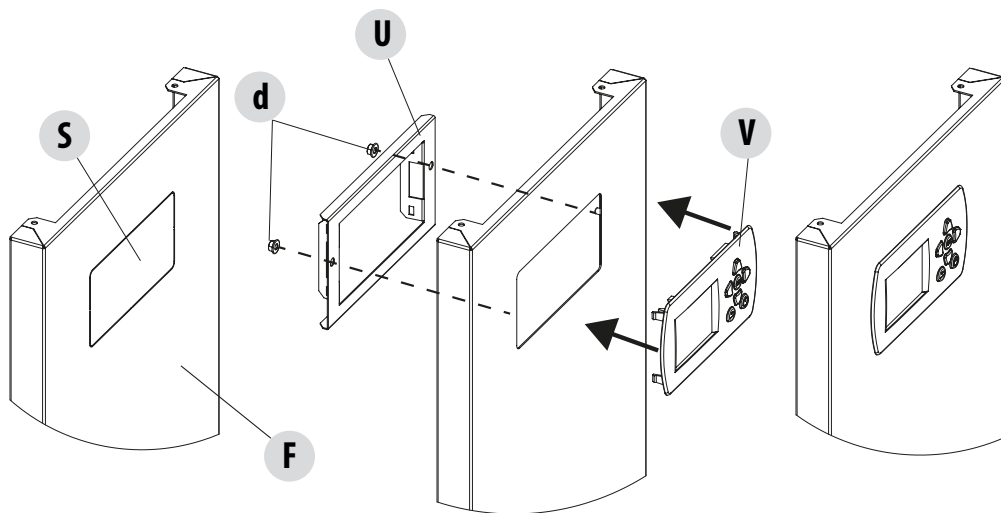
**KIT CODE 4021003 - MAESTRO LIFT PANEL (JAZZ HYDROMATIC 30 M1)**

By installing this accessory kit it is possible to manage the Maestro functions directly from the stove.

When the kit is purchased it is necessary to carry out the following operations:

- Remove the knockout hole "S" from the right hand panel at the back of the stove
- take the support "U" and fasten it to the stove panel (internally) with the two nuts "d" provided
- on the outer part snap fit the plate with the board and rubber keypad "V"

The panel is reversible and therefore it can also be installed on the left.



**FOREWORD**

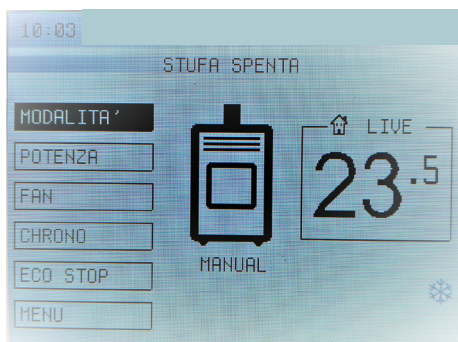
When the appliance is powered, the display lights up and it is updated with all the operating and product status information, contained in the motherboard.

Wait approximately 15-20 seconds to get all the information before touching the keys.

After this waiting time, the panel will be perfectly operational.

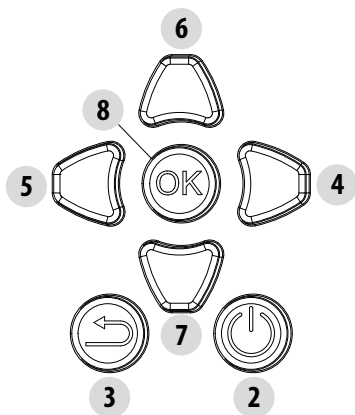
The basic structure of the menus is very similar to that of the APP on the smartphone, present in the Android and iOS stores. This is to allow the user interface to be as similar as possible for those using both interfaces







Depending on the Software version (visible in the SETTINGS menu) there can be two types of screens, though their operation is the same.

**SCREEN WITH SOFTWARE VERSIONS 1.0.1 TO 1.0.7****SCREEN WITH SOFTWARE VERSIONS 1.0.8 TO 1.0.10**



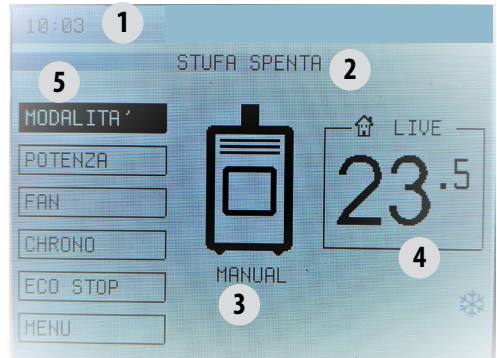
## DISPLAY'S EXTERNAL APPEARANCE



1	Display	
2	ON/OFF key	
3	HOME key (to go back to the main screen)	
4	Browsing key of screens to the right	
5	Browsing key of screens to the left	
6	Increase values edit key	
7	Decrease values edit key	
8	OK key to confirm selection in the menus	<b>OK</b>

## SWITCHING ON/OFF

Press the ON/OFF key  for a few seconds.  
A beep will show that the on or off command is accepted

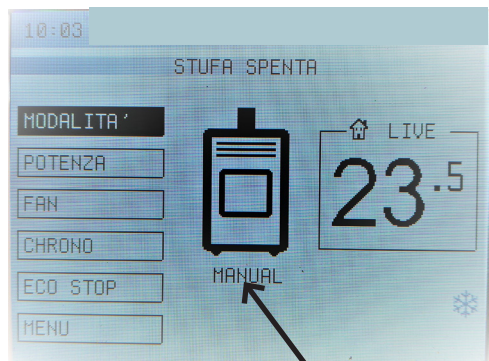


Depending on the software version, differences can be seen on the HOME page. In more recent software versions, the menu can already be seen on the left side on the HOME page.

1	General status bar indicating time and temperature
2	Menu bar or current screen
3	Control window
4	Product status bar
5	Side bar of icons and active functions/menu

**HOME SCREEN**

The HOME screen displays the operating mode of the product and the point of return when the HOME key is pressed



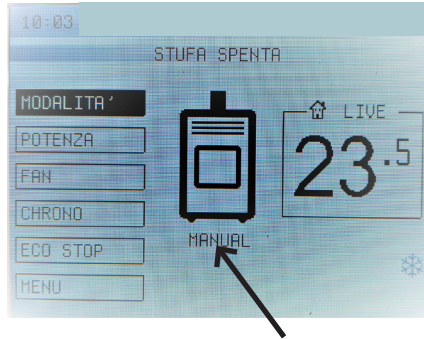
In software versions 1.0.1-1.0.7, the MENU is accessed by pressing keys 4 and 5 ← → while the OK KEY must be pressed to enter the operating mode followed by keys 4 and 5 to select the function.

In software versions 1.0.8-1.10, the menu is already available on the HOME page, where you may scroll with keys 6/7 ↑ ↓ and confirm by pressing OK.

The menus are:

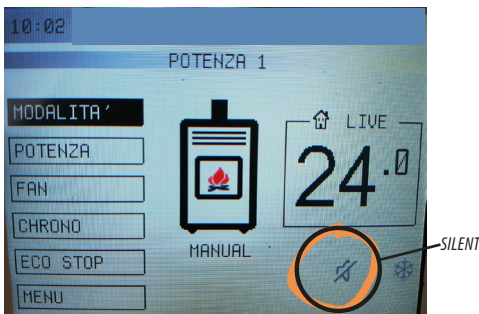
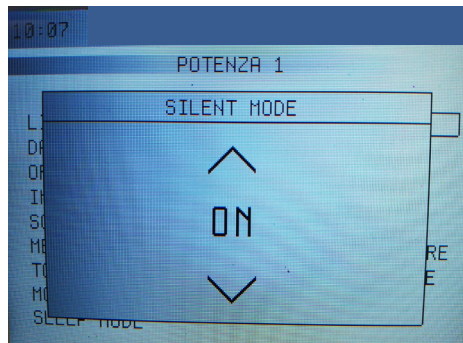
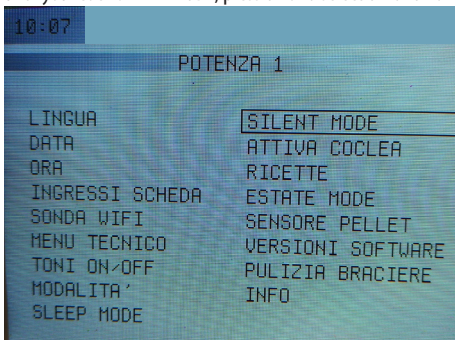
- MODE
- POWER
- FAN
- CHRONO
- ECO STOP
- MENU

The selected mode (MANUAL/POWER/COMFORT/OVERNIGHT/DYNAMIC) is indicated below the stove pictogram. A flame appears when the stove is on.



In this version, keys 4 and 5  $\leftarrow \rightarrow$  are only used to scroll to enter the password and to select the fans.

To activate the SILENT function, scroll with keys  $\uparrow \downarrow$  until you reach the MENU item, confirm by pressing OK, scroll with the arrows until you reach SILENT MODE, press OK and select ON or OFF.



Maestro technology allows the heater to express its utmost potential with even an easier and more intuitive use. A real integrated micro-computer communicates with your smartphone and further improves the performance of the heater that continues to work perfectly even in non-ideal conditions.

The available settings are:

**COMFORT** Ideal for all situations requiring maximum comfort. In this mode the stove allows an optimised consumption of the fuel to guarantee a good heating capacity and the best possible silent operation. Once this mode is activated, the user only has to choose the desired temperature and the appliance will independently manage the flame and ventilation power to ensure maximum comfort. In fact, in this mode it is not possible to change the power and ventilation, managed intelligently by the MAESTRO system.

**DYNAMIC** If you prefer traditional automatic operation with the option of setting the temperature and ventilation.

**OVERNIGHT** Guarantees the maximum silence possible (noise reduced up to 4 times) allowing the maintenance of the room temperature. This mode is designed, in fact, for night-time operation or temperature conservation in an already pre-heated room ensuring the lowest possible acoustic impact. In Overnight mode consumption and ventilation are managed intelligently by the MAESTRO system and for this reason it is not possible to change its values.

**MANUAL** For those who prefer to use the product in the traditional manner without any temperature control. In this mode the user can freely choose the mix of flame power and ventilation regardless of consumption or silence.

**POWER** Operation at maximum power expressed by the product for a limited time (20 min) in order to allow rapid heating of a cold room. For the expected performance and consumption in this mode, this function can be reactivated only once every hour.

	Quiet operation *	Comfort**	Heating capacity	Reduced consumption
COMFORT	● ● ● ● ○	● ● ● ● ● ●	● ● ● ○ ○	● ● ● ● ● ○
OVERNIGHT	● ● ● ● ●	● ● ● ● ● ●	● ○ ○ ○ ○	● ● ● ● ● ●
POWER	● ○ ○ ○ ○	● ● ○ ○ ○ ○	● ● ● ● ● ●	● ○ ○ ○ ○ ○
DYNAMIC	● ● ● ○ ○	● ● ● ○ ○	● ● ● ● ● ○	● ● ● ○ ○ ○
MANUAL	● ○ ○ ○ ○	● ○ ○ ○ ○ ○	● ● ● ● ● ○	● ● ○ ○ ○ ○

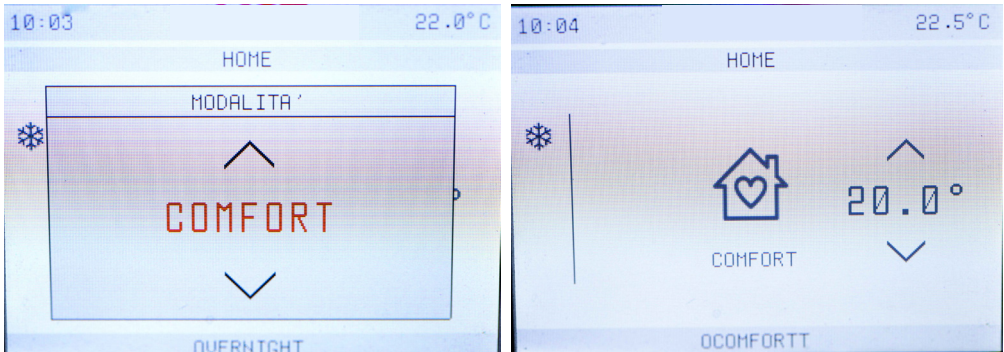
\* In operation, during start-up and shutdown

\*\* Gradual heat emission, glass cleaning and combustion chamber cleaning

**COMFORT SETTING**

The **COMFORT** set can be selected **by pressing the OK button** to access the operating mode.  
The product works in automatic mode, it is not possible to increase ventilation.

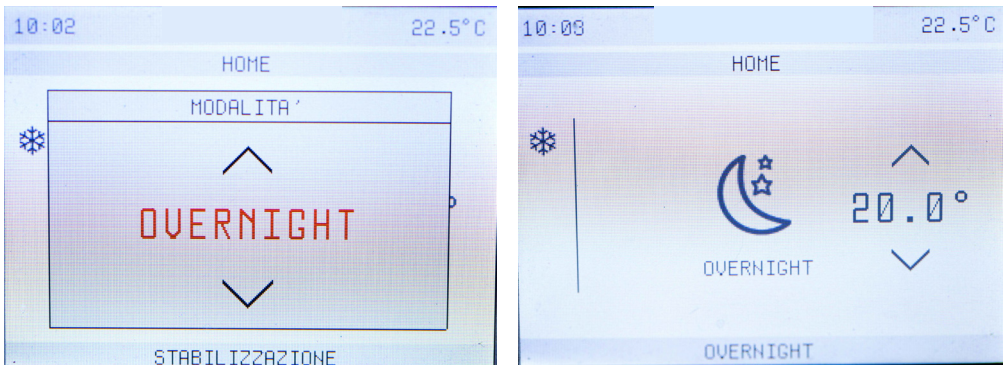
To set the desired temperature, use the keys  



To  **NO POWER VENTILATION SET**

**OVERNIGHT SETTING**

The **SETTING** set can be selected **by pressing the OK button** to access the operating mode.  
The user has the possibility to manage ventilation and temperature.

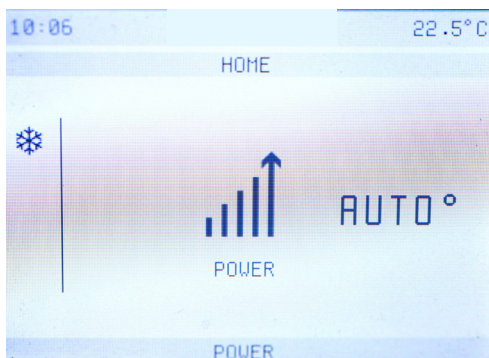
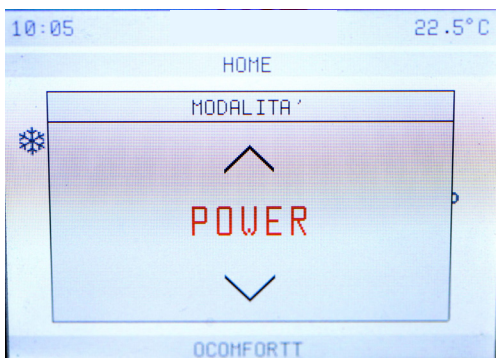


To set the desired temperature, use the keys  

To  **NO POWER VENTILATION SET**

**POWER SET**

The **POWER** set can be selected **by pressing the OK button** to access the operating mode.  
The user has the possibility to manage ventilation and temperature.



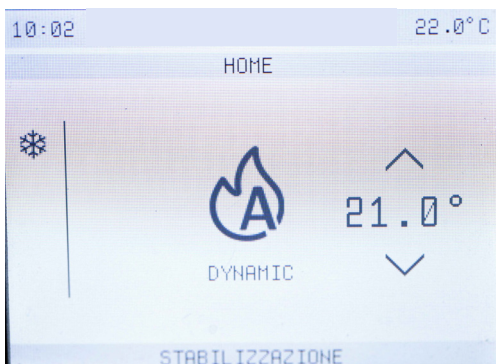
To set the desired temperature, use the keys  



**IF YOU EXIT THE POWER MODE BEFORE THE END OF THE 20 MINUTES, YOU CANNOT REACTIVATE BEFORE AN HOUR.**

**SET DYNAMIC**

The **DYNAMIC** set can be selected **by pressing the OK button** to access the operating mode.  
The user has the possibility to manage ventilation and temperature.



To set the desired temperature, use the keys  

**MANUAL SETTING**

The **MANUAL** set can be selected by **pressing the OK button** to access the operating mode.

The user has the ability to manage ventilation and power.



To set the desired temperature, use the keys  

**BROWSING THE SCREENS**

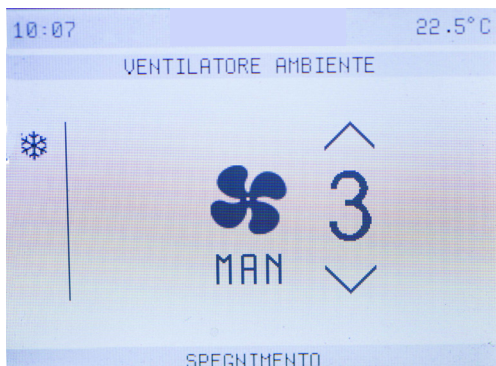
To browse further screens, simply press the buttons ← → to change the display  
 Pressing → allows the menus to scroll as follows:

**VENTILATION**

This menu allows you to change ventilation state of all the room fans (ONE, TWO or THREE based on the stove model on which the panel is installed).

Like for the flame power, simply press the buttons ↑ ↓ to modify the power values from 0 to 5 or in AUTO so that ventilation follows the operating power of the flame (see product manual)

To select the value fan you want to modify, press ← →, select the fan and perform the adjustment as shown above.





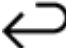
The SILENT function can be activated in the FUNCTION menu (see paragraphs below), which allows the stove to run at minimum power without room ventilation. This function is only available in AUTO and MAN mode (not in TIMER mode).

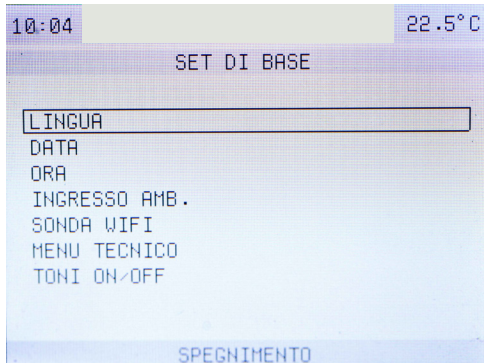
The function is activated in the specific menu by pressing OK. Once the function is activated, the flame power goes to 1 and the ventilation switches off within about 10 minutes.

The silent function is also activated by setting all the fans that the product is equipped with to ZERO.



### BASIC SETTINGS




Screen for performing the basic settings of the stove. Browse using the keys   and select by pressing OK. Press HOME  to go back to the main menu

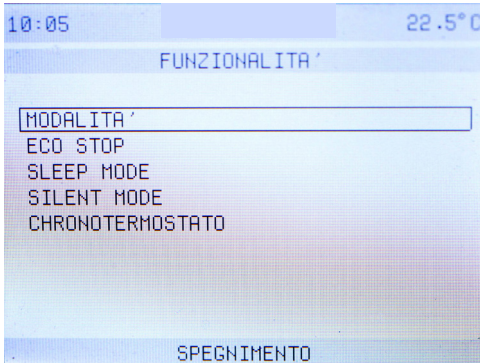


The menu consists of the following:

<b>LANGUAGE:</b>	Menu to set the communication language
<b>DATE:</b>	Menu to set the current date
<b>TIME:</b>	Menu to set the current time
<b>ROOM INPUT:</b>	To select the type of room probe which must detect the temperature. In this case you may select the local probe (standard with the appliance), the WI FI probe (optional) or room thermostat (optional). Therefore the following options can be selected <ul style="list-style-type: none"> <li>• ROOM PROBE</li> <li>• WI-FI PROBE</li> <li>• THERMOSTAT</li> </ul>
<b>WI-FI PROBE:</b>	If the WI FI probe is selected, this menu is required to connect the probe to the appliance and to know the features, updating and reading times of the probe.
<b>TECHNICAL MENU:</b>	Menu with specific password for installers and technical assistance centres
<b>TONES ON/OFF:</b>	Enables and disables the display tones

**FUNCTIONS**

Screen where you may execute the advanced functions of the stove. Browse using the keys   and select by pressing OK. Press HOME  to go back to the main menu



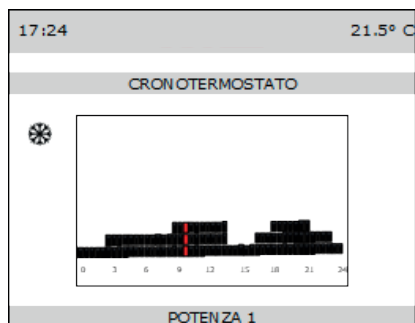
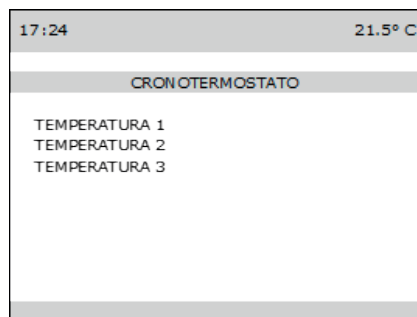
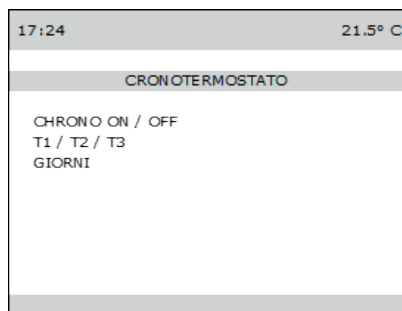
The menu consists of the following:

<b>AUTO MODE:</b>	To set the MANUAL or AUTOMATIC operating mode
<b>ECO STOP:</b>	<p>The ECO STOP menu allows you to set and/or modify an activation delay (min) and a re-ignition hysteresis (°C). ECO is an automatic mode with the only difference that if the set temperature is reached and remains so for the time (in minutes) that was selected from the delayed activation MENU (value ranging between 5 and 30 minutes), the product switches off and remains on stand-by until the room temperature drops below the desired temperature (hysteresis frequency ranges between 2 and 5 minutes). The product is then switched on again.</p> <p>If the room is not sufficiently insulated, flame modulation does not allow the set temperature to stay satisfied for the time set and the product will not switch off.</p> <p>NOTE: It is recommended to use the ECO mode only in well-insulated rooms in order to prevent start-up and shutdown from occurring within short periods of time.</p>
<b>SLEEP MODE:</b>	The SLEEP mode allows to quickly set the time at which the product must switch off. This function is only available in MAN and AUTO mode. To disable SLEEP mode, simply enter regulation and bring the countdown to zero.
<b>SILENT MODE</b>	Menu required to activate the SILENT function which allows the room fans to be switched off to use the natural convection stove. By activating this function, the stove automatically goes to minimum flame power with an interval of approximately 10 minutes to maintain room temperature at quiet operation.
<b>CHRONOTHERMOSTAT:</b>	Select this operating mode to switch the product on and off automatically. The programs are freely programmable for each 1/2 hour of the day on three different temperature indicators (T1-T2-T3) and in different ways for each day of the week.

**THE CHRONOTHERMOSTAT**

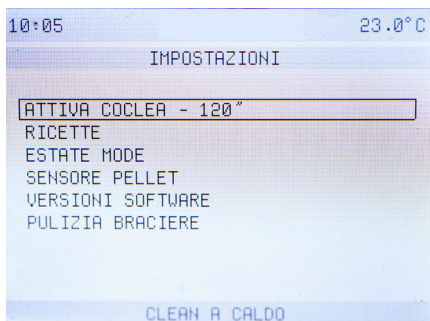
In the chronothermostat menu you may set:

- CHRONO ON/OFF
- T1 / T2 / T3: to set the on and off and regulation temperatures
- DAYS: To set the days of the week on which the stove must switch on/off and at which temperatures (T1/T2/T3)



## SETTINGS

Screen where you may execute the advanced functions of the stove. Browse using the keys   and select by pressing OK. Press HOME  to go back to the main menu



The menu consists of the following:

<b>ACTIVATE FEED SCREW-120":</b>	Function which switches on the pellet loading motor when the feed screw is completely emptied due to complete emptying of the tank. This function is also useful the first time the stove is lit. The main purpose is to avoid late loading of the brazier when lighting the stove and consequent failed ignition and triggering of the relative alarm (A01)
<b>RECIPES:</b>	<p>This function is for adapting the stove to the type of pellet in use. As there are many types of pellet available on the market, operation of the stove can vary considerably according to the quality of the fuel. The amount of pellets in the brazier can be increased or reduced:</p> <p>To edit the PELLETTA recipe, select one of the values available. Available values: 3 = Reduction of pellet loading by 20% at all power values 2 = Reduction of pellet loading by 14% at all power values 1 = Reduction of pellet loading by 7% at all power values 0 = no change 1 = Increase of pellet loading by 3% at all power values 2 = Increase of pellet loading by 6% at all power values 3 = Increase of pellet loading by 10% at all power values</p> <p>To edit the AIR recipe, select one of the values available. Available values: 2 = - 10% - 1 = - 5% 0% = (default value) 1 = + 5% 2 = + 10%</p> <p>This function is used to adjust combustion air if the flame is too high or too low.</p>
<b>SUMMER MODE:</b>	Possibility of selecting the season to reduce the temperature and room probe readings to a minimum.
<b>SOFTWARE VERSIONS:</b>	The SOFTWARE VERSION option of all the electronic devices is found in the SET menu
<b>BRAZIER CLEANING</b>	Only for "MATIC" products with automatic brazier cleaning system.

## INFO MENU

The INFO menu provides certain information regarding the stove's status to understand its operation.

Browse the two screens using the keys

INFO	
	LIVE SET
RPM FUMI	2503 -
RPM COCLEA	0 0
CANDELETTA	ON
T AMBIENTE	23.0° 20.0°
T FUMI	90°
ACTIVE	540 139
FRONTALE	3

CLEAN A CALDO

INFO	
	LIVE SET
AUTO MODE	MAN
ECO STOP	OFF
T SCHEDA	33°
ORE AL SERVICE	1757
BRACIERE	OK

CLEAN A CALDO

<b>INHALTSVERZEICHNIS</b> .....	<b>30</b>
<b>EINFÜHRUNG</b> .....	<b>31</b>
<b>1- GARANTIEBEDINGUNGEN</b> .....	<b>32</b>
<b>2-ALLGEMEINE INFORMATIONEN</b> .....	<b>34</b>
<b>3-ANFORDERUNGEN AN DAS BETRIEBSSYSTEM</b> .....	<b>35</b>
<b>4-INSTALLATION</b> .....	<b>36</b>
<b>5-FUNKTIONSWEISE</b> .....	<b>44</b>
<b>6 - BETRIEBSARTEN</b> .....	<b>48</b>
<b>7 - VENTILATION</b> .....	<b>52</b>
<b>8 - BASIS-SET</b> .....	<b>53</b>
<b>9 - FUNKTIONEN</b> .....	<b>54</b>
<b>10 - EINSTELLUNGEN</b> .....	<b>56</b>
<b>11 - MENÜ INFO</b> .....	<b>57</b>

**Übersetzung der Originalanleitung**

Sehr geehrter Kunde,

für das beste Ergebnis empfehlen wir Ihnen, die Anweisungen in diesem Handbuch sorgfältig durchzulesen.

Dieses Installations- und Gebrauchshandbuch ist ein wesentlicher Bestandteil des Produkts: Stellen Sie sicher, dass es auch bei einer Abtretung an einen anderen Besitzer beigelegt wird. Bei Verlust fordern Sie beim lokalen technischen Dienst eine Kopie an oder laden Sie das Handbuch direkt von der Webseite des Unternehmens herunter.

Alle lokalen Vorschriften, einschließlich jener, die Bezug auf die nationalen und europäischen Vorschriften nehmen, müssen bei der Installation des Geräts eingehalten werden.

In Italien wird bei den Installationen von Biomasse-Vorrichtungen mit weniger als 35KW Bezug auf das Ministerialdekret 37/08 genommen und jeder qualifizierte Monteur mit den entsprechenden Voraussetzungen muss ein Konformitätszertifikat für die installierte Anlage ausstellen. (Anlage bedeutet hier Ofen+Kamin+Luftöffnung).

## ÜBERARBEITUNGEN DES HANDBUCHS

Der Inhalt des vorliegenden Handbuchs ist rein technischer Natur und Eigentum des Herstellers.



Kein Teil dieses Handbuchs darf ohne vorherige schriftliche Genehmigung des Herstellers ganz oder auszugsweise in andere Sprachen übersetzt und/oder in anderer Form bzw. durch mechanische oder elektronische Mittel angepasst und/oder reproduziert werden, weder durch Fotokopie noch durch Aufzeichnungen oder anderes.

Das Unternehmen behält sich das Recht vor, jederzeit ohne Vorankündigung etwaige Änderungen am Produkt vorzunehmen. Die Gesellschaft schützt ihre Rechte unter strikter Einhaltung des Gesetzes.

## UMGANG MIT DEM HANDBUCH UND VERWENDUNG

- Dieses Handbuch muss sorgfältig behandelt und an einem leicht und schnell zugänglichen Ort aufbewahrt werden.
- Bei Verlust oder Beschädigung dieses Handbuchs können Sie bei Ihrem Händler oder direkt beim autorisierten technischen Kundendienst eine Kopie anfordern. Das Handbuch kann auch von der Webseite des Unternehmens heruntergeladen werden.
- Der „**Text in Fettschrift**“ verlangt vom Leser besondere Aufmerksamkeit.
- „*Der kursiv gedruckte Text*“ wird verwendet, um auf andere Absätze dieses Handbuchs hinzuweisen oder für etwaige Zusatzerklärungen.
- Ein „Hinweis“ bietet dem Leser weitere Informationen zum Thema.

## SYMBOLE IM HANDBUCH

	<p><b>ACHTUNG:</b> Das Handbuch muss sorgfältig durchgelesen und verstanden werden, denn <b>die Nichteinhaltung der Anweisungen kann ernsthafte Schäden am Produkt verursachen und den Bediener in Gefahr bringen.</b></p>
	<p><b>INFORMATIONEN:</b> die Nichteinhaltung der Beschreibungen beeinträchtigt den Gebrauch des Produkts.</p>

## SICHERHEITSHINWEISE

- **Die Installation, der elektrische Anschluss, die Überprüfung der Funktionstüchtigkeit und die Wartung dürfen ausschließlich von qualifiziertem und autorisiertem Personal durchgeführt werden.**
- **Das Produkt unter Beachtung aller lokalen, nationalen und europäischen Normen installieren, die in der Ortschaft, in der Region oder im Staat gültig sind.**
- Die in dieser Anleitung angeführten Hinweise müssen immer beachtet werden, damit das Gerät und die daran angeschlossenen elektrische Geräte korrekt funktionieren und Unfälle vermieden werden können.
- Bevor mit der Einstellung begonnen wird, muss der Benutzer oder jeder sonstige Bediener des Ofens zunächst den gesamten Inhalt der vorliegenden Installations- und Bedienungsanleitung gelesen und verstanden haben. Fehler oder schlechte Einstellungen können zu Gefahrensituationen bzw. Funktionsstörungen führen.
- Der Benutzer trägt die alleinige Verantwortung bei unsachgemäßem Gebrauch des Produkts und enthebt somit den Hersteller von jeder zivil- und strafrechtlichen Verantwortung.
- Jede Art unerlaubter Maßnahme oder der ungenehmigten Verwendung nicht originaler Ersatzteile des Geräts kann die Gesundheit des Benutzers gefährden und enthebt den Hersteller von jeder zivil- und strafrechtlichen Verantwortung.
- Falls vorgesehen, muss das Gerät an eine elektrische Anlage mit wirksamem Erdleiter angeschlossen werden.
- Gerät nicht mit Wasser reinigen.
- Das Produkt ist in ausreichend brandgeschützten Räumen zu installieren, die mit allen erforderlichen Versorgungseinrichtungen (Luft und elektrischer Strom) sowie Rauchabzügen ausgerüstet sind.
- Das Gerät und die Verkleidung dürfen nur in trockenen, wettergeschützten Räumen gelagert werden.



## GARANTIEBEDINGUNGEN

Die Herstellerfirma gibt auf das Produkt, **mit Ausnahme der nachstehend angeführten Verschleißteile**, eine Garantie von **zwei Jahren** ab Kaufdatum, das durch einen Beleg mit dem Namen des Händlers und dem Verkaufsdatum zu bestätigen ist. Der ausgefüllte Garantieschein muss dem Hersteller innerhalb von 8 Tagen zugestellt werden. Die Garantie gilt nur dann, wenn das Produkt von einem sachkundigen Installateur entsprechend den detaillierten Anweisungen, die in dieser dem Produkt beiliegenden Installationsanleitung enthalten sind, installiert und geprüft wurde.

Unter Garantie wird der Austausch oder die kostenlose Reparatur **der durch Fabrikationsfehler als fehlerhaft anerkannten Originalteile verstanden**.

## AUSSCHLÜSSE

Alle Bauteile, die sich aufgrund von Fahrlässigkeit oder Nachlässigkeit im Gebrauch, falscher Wartung oder nicht den Angaben des Herstellers entsprechender Installation (siehe hierzu die entsprechenden Kapitel in diesem Handbuch) als defekt herausstellen sollten, sind nicht von der Garantie gedeckt.

Die Firma garantiert nicht, dass die Remoteverbindung mit dem Ofen über das Internet immer aktiv ist. Sie kann für eventuelle Schäden, die aus der fehlenden Verbindung mit dem Ofen entstehen, nicht haftbar gemacht werden.

Der Hersteller lehnt jede Verantwortung für etwaige Schäden ab, die Personen, Tiere oder Gegenstände direkt oder indirekt erfahren könnten, wenn diese auf die Nichtbeachtung der in dieser Anleitung angeführten Anweisungen und vor allem der Hinweise in Sachen Installation, Gebrauch und Wartung des Geräts zurückzuführen sind.

Wenden Sie sich bei einer Betriebsstörung an Ihren Händler bzw. an den Importeur Ihres Gebiets.

Schäden, die während des Transports und/oder des Handlings verursacht werden, sind von der Garantie ausgenommen.

Für die Installation und den Gebrauch des Geräts wird ausschließlich auf die mitgelieferte Installations- und Bedienungsanleitung verwiesen.

Die Garantie verfällt bei Schäden, die auf unerlaubte Maßnahmen am Gerät, Witterungseinflüsse, Naturkatastrophen, Stromschläge, Brände und Defekte in der Elektroanlage zurückzuführen sind oder durch fehlende oder mangelhafte Wartung im Vergleich zu den Anweisungen des Herstellers verursacht worden sind.



### HINWEISE

- Die Bedientafel darf nur dann installiert und an die Hauptplatine angeschlossen werden, wenn KEINE elektrische Spannung vorliegt. Bei durch Nichtbeachtung dieser Anweisung verursachten Schäden übernimmt die Herstellerfirma keine Verantwortung für eventuelle Fehlfunktionen.
  - Das Gerät erst dann mit elektrischer Spannung versorgen, wenn der Anschluss an die Bedientafel und an die Hauptplatine endgültig ist.
  - Das Anschlusskabel MUSS immer in Bereichen durchgeführt werden, die nicht in Kontakt mit der direkten Wärme des Ofens oder der Brennkammer sind.
  - Sich an die vorgesehenen Durchführungsstellen für die Verkabelung halten, wie sie im vorliegenden Bedienungshandbuch angezeigt werden.
- Das Anschlusskabel DARF NIE länger als 2 m sein. Eventuelle Verlängerungen können Fehlfunktionen sowie Kommunikationsverluste und demzufolge abweichende Verhaltensweisen des Geräts verursachen. In diesem Fall haftet die Herstellerfirma nicht für eventuelle Störungen, unsachgemäße oder abweichende Verhaltensweisen des Geräts und für eventuelle Schäden am Gerät oder Verletzungen des Benutzers.



### INFO

- Die Bedientafel ist eine weitere Bedienschnittstelle für den Ofen und funktioniert ZUSAMMEN mit den vom Smartphone benutzbaren APPS, mit der Fernbedienung und mit der Not-Bedientafel am Ofen. Das bedeutet, dass die von der APP gesendeten Befehle auch an der Bedientafel angezeigt werden und umgekehrt.
- Die Refresh-Zeit des Displays (Zeitintervall, in dem das Display die Informationen vom Speicher der Hauptplatine entnimmt) beträgt 15 Sekunden für die Grundbefehle (Leistung und Ventilation) und 3 Sekunden für die Betriebsinformationen (INFO-Bildschirmseite). Das bedeutet, dass, angesichts der oben eingestellten Zeiten, ein von der APP zum Smartphone gesendeter Befehl mit einer leichten Verzögerung (max. 10 Sekunden) angezeigt werden kann.
- Die optionale Bedientafel MAESTRO verfügt NICHT über eine interne Sonde. Die Temperatureinstellungen werden abhängig von der Lokalsonde des Ofens, der WIFI-Sonde (optional) oder einem externen Thermostat ausgeführt.
- Alle optionalen Bedientafeln sind kompatibel mit den MAESTRO Geräten. Die verschiedenen Modelle sind in Bezug auf das Montageuntergestell unterschiedlich, jedoch nicht in Bezug auf die Innenelektronik. Verfügbar sind die folgenden Modelle:
  - LIFT: Bedientafel mit einem Push-Pull-Ausziehsystem, das an der Rückseite des Ofens installiert wird.
  - LIFT für RUNDE ÖFEN: Bedientafel mit einem Push-Pull-Ausziehsystem, das an der Rückseite eines runden Ofens installiert wird (siehe HALO, MOOD, etc..)
  - EINBAU: Bedientafel mit einem Gehäuse für Einbau in der Wand oder in Gipskarton, wenn die Bedientafel in eine Wand eingebaut werden soll (ideal für die Pelleteinsätze MAESTRO)
  - WANDINSTALLATION: Bedientafel mit Halterung, die an der Wand befestigt wird, wenn die Bedientafel in der Nähe des Geräts installiert werden soll, ohne Mauerarbeiten auszuführen. Ideal auch für Geräte, bei denen aufgrund ihrer ästhetischen Merkmale (zum Beispiel vollständig mit Keramik verkleidete Geräte, wie der Ofen CURVE) die Bedientafel Modell LIFT nicht installiert werden kann.
  - LIFT für Hydro-Ofen JAZZ mit einer Bedientafel mit halbrunder Öffnung zum Einführen und Anschließen

### SYSTEMANFORDERUNGEN

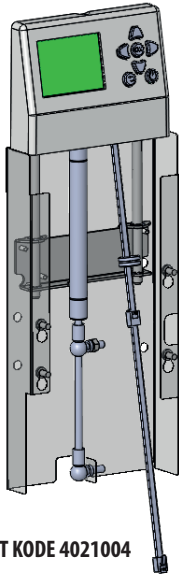
Mit MAESTRO System ausgestattete GERÄTE

#### **BETRIEB**

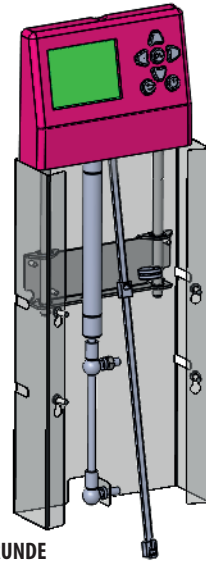
Die Bedientafel ist kompatibel mit den Plug-and-Play-Logiken und funktioniert auf deren Basis; es genügt, den elektrischen Anschluss durchzuführen, um alle Funktionen des Geräts zu genießen.

## INSTALLATION DER BETIENTAFEL "LIFT" CODE 4021004 UND "LIFT" FÜR RUNDE ÖFEN CODE 4021005

Die LIFT Bedientafel mit vertikalem Push-Pull-Ausziehsystem wurde entwickelt, damit über die entsprechenden Vorbereitungen an der Rückseite des Geräts installiert werden kann. Die Bedientafel kann mit dem Auszug unsichtbar eingeschoben werden und die Ästhetik des Geräts wird nicht beeinträchtigt.



BETJENINGSPANEL LIFT KODE 4021004

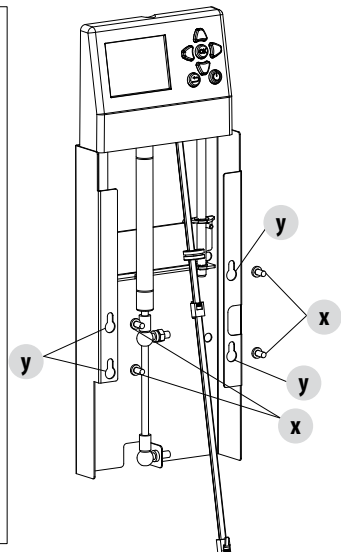
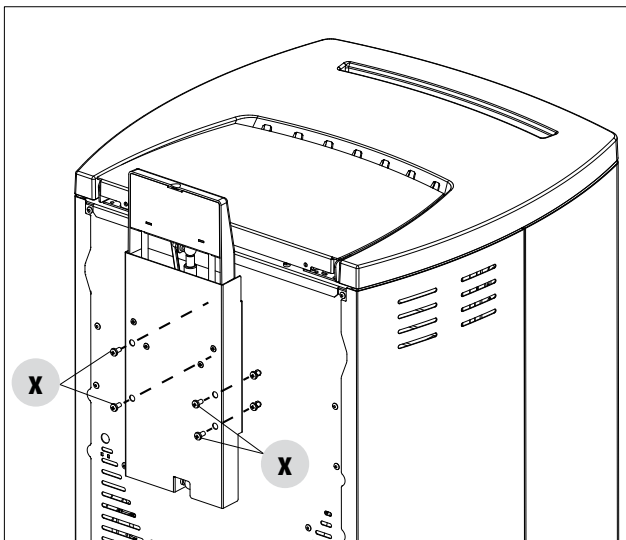


BETJENINGSPANEL LIFT RUNDE  
KODE 4021005

### MECHANISCHE INSTALLATION

Gemäß der Abbildung die Bedientafel mit den 4 mitgelieferten Schrauben „x“ an der Rückseite des Geräts installieren.

Es wird empfohlen, die 4 Schrauben „x“ an der Rückseite des Geräts vorzumontieren, ohne sie festzuziehen, dann die Halterung der Bedientafel unter Verwendung der entsprechenden Ösen „y“ einsetzen, die Bedientafel durch eine kurze Bewegung nach unten einhängen und schließlich die Schrauben „x“ von der Außenseite des Geräts festziehen.



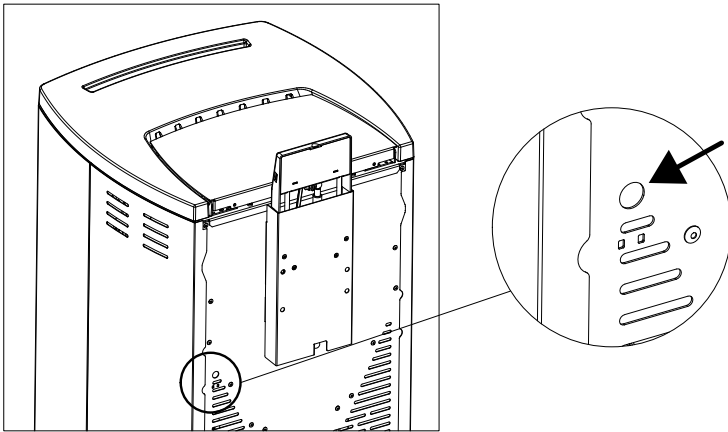
**ELEKTRISCHE INSTALLATION**

Das aus der Bedientafel austretende elektrische Kabel in die vorbereitete Bohrung an der Rückseite des Ofens einführen. Mitgeliefert werden selbstklebende Clips, die an der Rückseite aus Stahl befestigt werden, um das Kabel mit Schellen an der Rückwand des Geräts zu befestigen, um zu verhindern, dass es hängen bleibt oder versehentlich abgerissen wird.

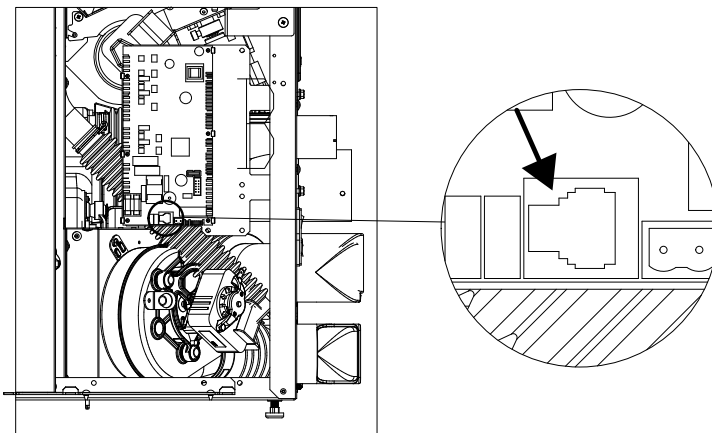
Bevor das Kabel mit Schellen und Clips befestigt wird, sollte die Bedientafel (in die Benutzungsposition) geöffnet werden, um die für die Öffnungsbewegung erforderliche Verlängerung des Anschlusskabels zu prüfen. Clips und Schellen befestigen, während sich die Bedientafel in dieser Position befindet.



**Die Schellen nicht drücken und das Kabel nicht verformen, sondern zulassen, dass das Kabel in der Schelle gleiten kann, indem letztere leicht locker gelassen wird. Die Schelle hat den ästhetischen Zweck, das Kabel nicht hervortreten zu lassen und es nicht zu blockieren. In einigen Fällen und/oder bei einigen Geräten ist die Befestigung des Kabels auch überflüssig und das Kabel kann sich vollkommen frei bewegen.**



Die Zierseitenwand gemäß den Anweisungen im Handbuch des Geräts, das gerade montiert wird, abbauen und die Steckdose RJ11 (die einer telefonischen Doppellitze ähnelt) mit dem entsprechenden Stecker in der Platine verbinden (siehe Bild). Das Gerät darf nur nach Abschluss des elektrischen Anschlusses mit Spannung versorgt werden.

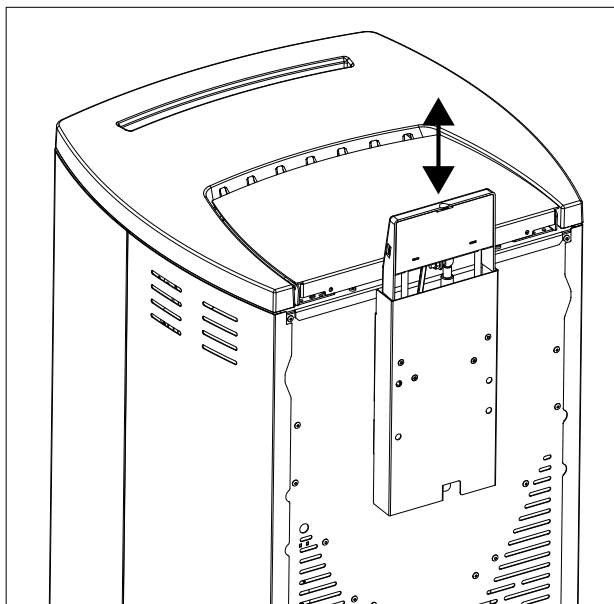


**ÖFFNUNG DER LIFT BEDIENTAFEL**

Zum Öffnen der Bedientafel in der Mitte des oberen Bereich leicht auf eine Einkerbung drücken, bis ein Klicken zu hören ist. Die Hand wegnehmen, und der interne Gaskolben hebt automatisch das Display an.

**SCHLIESSEN DER LIFT BEDIENTAFEL**

Zum Schließen in umgekehrter Reihenfolge verfahren, das gesamte Display in der Mitte, in der sich die Einkerbung befindet, sanft nach unten drücken, bis zur Einschubposition, und bis ein zweites Klicken zu hören ist, das die mechanische Sperre des Kolbens anzeigt.



*Auf der Internetseite können Sie die Tutorial-Videos finden, die sich auf die Installation dieses Geräts beziehen.*

**INSTALLATION BEDIENTAFEL FÜR EINBAU CODE 4021001**

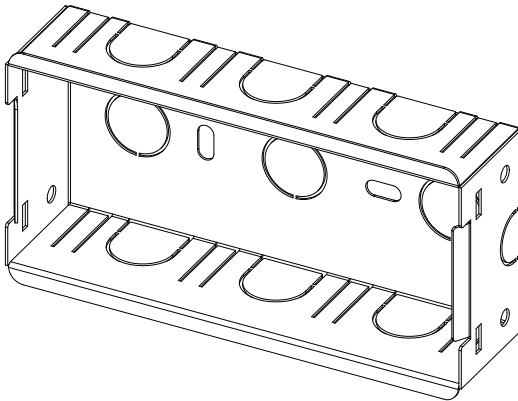
Die Einbaubedientafel wurde für alle MAESTRO Geräte entwickelt, wie die Kamineinsätze, die vorwiegend in einer Zierverkleidung eingebaut werden.

Diese Bedientafel ist jedoch mit jedem MAESTRO Gerät kompatibel.

**MECHANISCHE INSTALLATION**

Das Einbaugehäuse der MAESTRO Bedientafel, wie bei den Standardschaltkästen, in der Wand oder im Gipskarton installieren, dazu entsprechende Schaumstoffe oder Schnellzement verwenden, oder bei Installationen in Gipskarton, vorbereitete Bohrungen zum Anschrauben der Metallgehäuse an einem Strukturpfosten.

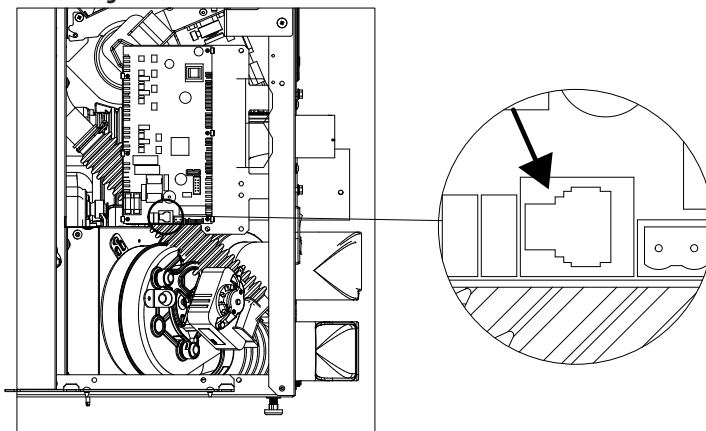
Einen Kabelkanal mit geeigneten Abmessungen vom Gerät bis in das Innere des Einbaugehäuses verlegen, um den Stecker RJ11 des Anschlusskabels einzuführen. Es wird empfohlen, einen Kabelkanal mit Mindestabmessungen von 20 mm zu verwenden, der der Abmessung der Vorabschnitte in der Abzweigdose der Bedientafel entspricht.

**ELEKTRISCHE INSTALLATION**

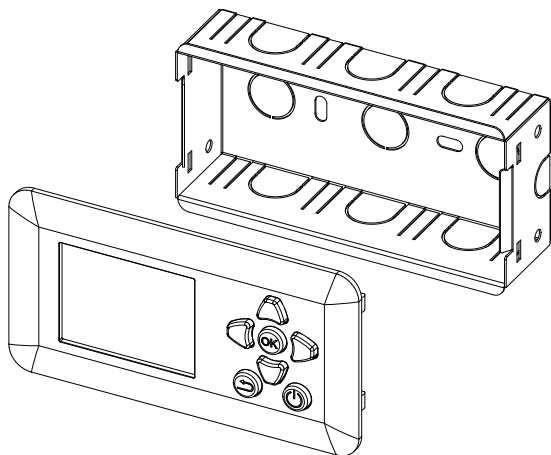
Das gelieferte elektrische Kabel, dessen maximale Länge niemals 2 m überschreiten darf, in den Kabelkanal einführen.

Das Kabel und/oder der Kanal dürfen nie in Bereichen in Kontakt mit der Direktwärme des Geräts oder der Brennkammer verlegt werden. Die Steckdose RJ11 (die einer telefonischen Doppellitze ähnelt) an den entsprechenden Stecker in der Platine (siehe Bild) und am Display anschließen.

**Hinweis:** Mit der mitgelieferten Kabelschelle eine „Kabelschleife“ im Kasten fixieren, um das Display für eventuelle Aktualisierungen herausziehen zu können.



Das Display unter Verwendung der entsprechenden Steckverbindungen im elektrischen Schaltkasten einbauen.



Sollte es notwendig sein, das Display abzubauen, neben dem Display-Rahmen einen leichten Druck ausüben, damit sich die Innenhaken aus ihren Sitzen lösen.



***Auf der Internetseite können Sie die Tutorial-Videos finden, die sich auf die Installation dieses Geräts beziehen.***



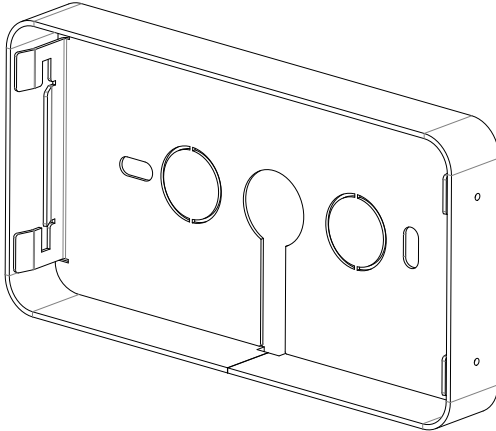
### INSTALLATION DER BEDIENTAFEL AN DER WAND CODE 4021002

Diese Bedientafel ist jedoch mit jedem MAESTRO Gerät kompatibel.

#### MECHANISCHE INSTALLATION

Das Metallgehäuse für die Unterbringung der MAESTRO Bedientafel unter mit den „Fischer“ Ø 6 mm an der Wand in der Nähe des Geräts installieren

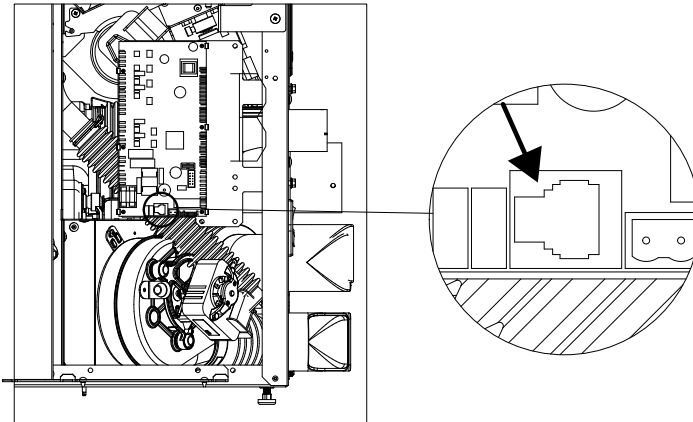
Die Elektroverkabelung der Bedientafel vom Gerät bis ins Innere des Einbaugeshäuses verlegen.



#### ELEKTRISCHE INSTALLATION

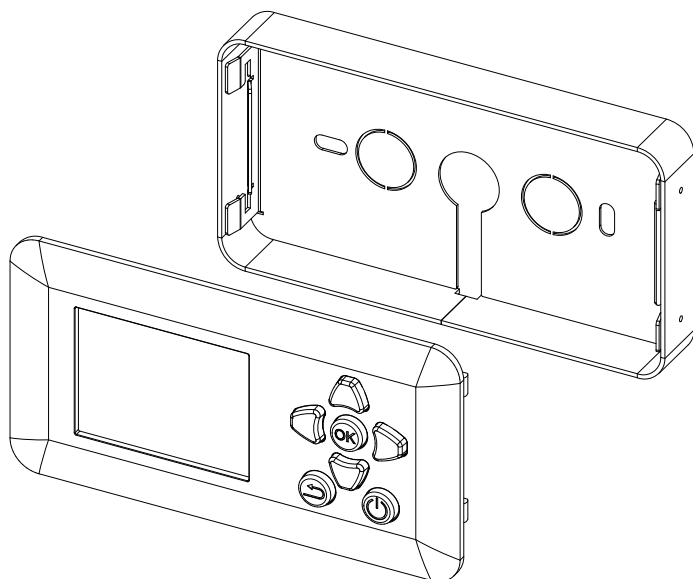
Die Steckdose RJ11 (die einer telefonischen Doppellitze ähnelt) am entsprechenden Stecker in der Platine (siehe Bild) und am Display anschließen.

Das Kabel bündig zur Wand oder dem Gerät unterbringen, um zu vermeiden, dass es versehentlich abgerissen wird.



Das Display mit den entsprechenden Steckverbindungen im elektrischen Schaltkasten einbauen.

**Hinweis: Eine „Kabelschleife“ im Kasten lassen, um das Display für eventuelle Aktualisierungen herausziehen zu können.**



Sollte es notwendig sein, das Display abzubauen, einen leichten Druck neben dem Displayrahmen ausüben, damit sich die internen Haken aus ihren Sitzen lösen, oder sanft mit einem spitzen Werkzeug (auch einer Büroklammer) auf die kleinen seitlichen Löcher drücken, die die Entfernung der Haken aus ihrem Sitz erleichtern.



***Auf der Internetseite können Sie die Tutorial-Videos finden, die sich auf die Installation dieses Geräts beziehen.***

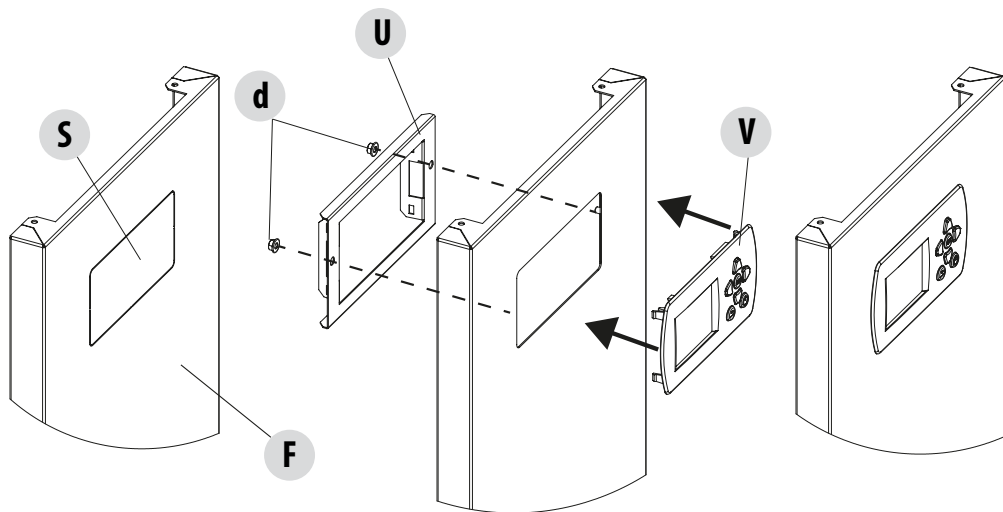
**KIT COD.4021003 - BEDIENFELD MAESTRO LIFT (JAZZ HYDROMATIC 30 M1)**

Mit der Installation dieses zusätzlichen Kits ist es möglich, die Maestro-Funktionen direkt vom Ofen aus zu steuern.

Wenn der Kit erworben wird, müssen die folgenden Eingriffe durchgeführt werden:

- Das ausbrechbare Stanzteil „S“ vom hinteren Panel des Ofens entfernen
- Die Halterung „U“ nehmen und sie mit den beiden mitgelieferten Muttern „d“ am Ofenpaneel (auf der Innenseite) befestigen
- Die Platte mit der Platine und dem Tastenfeld aus Gummi „V“ auf der Außenseite einstecken
- Nun das Kabel an die Platine (Position 11) und das Bedienfeld Maestro „Lift“ anschließen

Das Bedienfeld ist umkehrbar, so dass es auch auf der linken Seite installiert werden kann.



**VORBEMERKUNG**

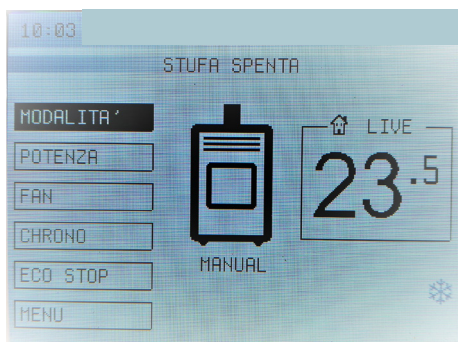
Wenn das Gerät mit Spannung versorgt wird, schaltet sich das Display ein und wird mit allen Betriebs- und Statusinformationen des Geräts aktualisiert, die in der Hauptplatine enthalten sind.

Für ungefähr 15-20 Sekunden auf die Übertragung aller Informationen warten, erst dann die Tasten betätigen.

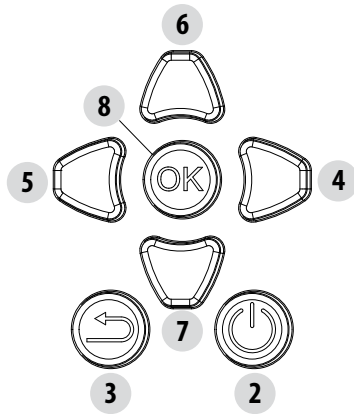
Nach Ablauf dieser Wartezeit ist die Bedientafel vollständig funktionsfähig und in Betrieb.

Die Grundstruktur der Menüs ähnelt der Struktur der APP für Smartphone sehr, die in den Android und iOS Stores verfügbar ist. Diese Auswahl wurde getroffen, um die Benutzerschnittstelle für all diejenigen, die beide Schnittstellen verwenden, so benutzerfreundlich wie möglich zu gestalten.

Je nach der Software-Version (im Menü EINSTELLUNGEN ersichtlich) können zwei Arten von Bildschirmanzeigen vorhanden sein, wobei jedoch die Funktionsweise dieselbe ist.

**BILDSCHIRMANZEIGE MIT SOFTWARE-VERSIONEN VON 1.0.1 BIS 1.0.7****BILDSCHIRMANZEIGE MIT SOFTWARE-VERSIONEN VON 1.0.8 BIS 1.0.10**

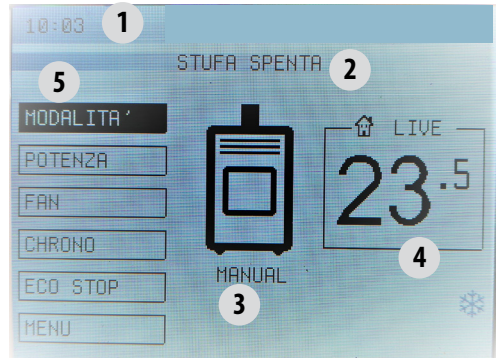
AUSSEHEN DES DISPLAYS



1	Display	
2	Ein-/Ausschalttaste (ON/OFF).	
3	Home-Taste (Rückkehr auf die Hauptbildschirmseite)	
4	Navigationstaste der Bildschirmseiten nach rechts	
5	Navigationstaste der Bildschirmseiten nach links	
6	Taste für die Änderung der Werte in aufsteigender Reihenfolge	
7	Taste für die Änderung der Werte in absteigender Reihenfolge	
8	OK-Taste für die Bestätigung der Auswahl in den Menüs	<b>OK</b>

EINSCHALTEN/AUSSCHALTEN

Die Taste ON/OFF für einige Sekunden drücken  
 Bei Übernahme des Einschalt- oder Ausschaltbefehls folgt ein Piepton.

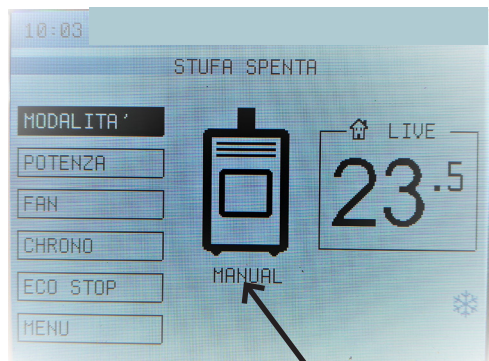


Auf der Anzeige HOME sind je nach der Software Version Unterschiede wahrnehmbar. Bei den neueren Software Versionen sieht man das Menü bereits auf der Anzeige HOME auf der linken Seite.

1	Hauptstatusbalken zur Anzeige des Datums und der Temperatur
2	Menübalken oder aktuelle Bildschirmseite
3	Befehlsfenster
4	Balken zur Anzeige des Gerätestatus
5	Seitlicher Balken mit Symbolen und aktiven Funktionen/Menu

**BILDSCHIRMSEITE HOME**

Die Bildschirmseite HOME zeigt den Betriebsstatus des Geräts und wird beim Drücken der Taste HOME wieder aufgerufen



Bei den Software-Versionen 1.0.1-1.0.7 gelangt man mit den Tasten 4 und 5 ins Menü während für den Zugriff auf die Betriebsarten die TASTE OK und dann die Tasten 4 und 5 gedrückt werden müssen, um die Funktion zu wählen.

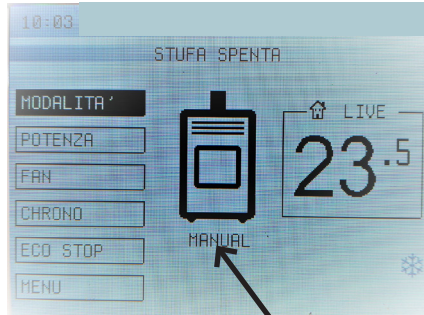
Bei den Software-Versionen 1.0.8-1.10 ist das Menü bereits auf der Anzeige HOME verfügbar, man scrollt mit den Tasten 6/7 und bestätigt mit der Taste OK.

Die Menüs sind:

## MODALITÀ

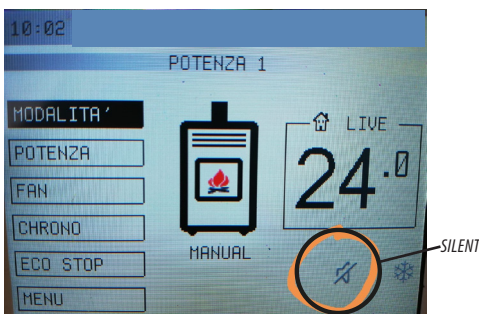
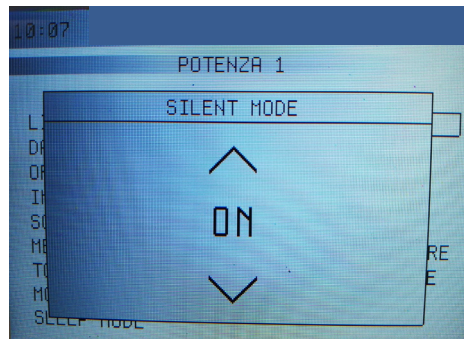
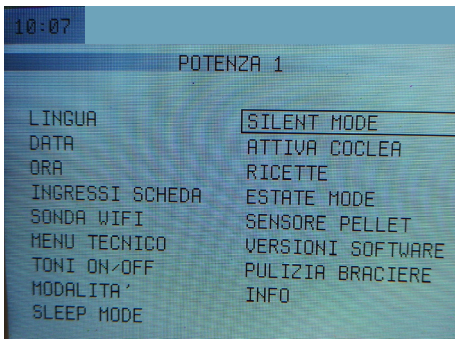
- LEISTUNG
- FAN
- ZEITTHERM.
- ECO STOP
- Menü

Der gewählte Modus (MANUAL/POWER/COMFORT/OVERNIGHT/DYNAMIC) wird unter dem Piktogramm des Ofens angezeigt, wenn der Ofen eingeschaltet ist, erscheint die Flamme.



In dieser Version dienen die Tasten 4 und 5  $\leftarrow$   $\rightarrow$  nur zum Scrollen innerhalb der Passwort-Eingabe und Wahl der Gebläse.

Für die Aktivierung der Funktion **SILENT** mit den Tasten  $\uparrow$   $\downarrow$  bis zum Stichwort **MENÜ** scrollen, mit der Taste **OK** bestätigen, mit den Pfeiltasten bis zum Stichwort **SILENT MODE** gehen, OK drücken und **ON** oder **OFF** wählen.



Die Technologie MAESTRO ermöglicht es dem Ofen, sein maximales Potential zu entfalten, wobei die Bedienung noch einfacher und intuitiver ist. Ein integrierter Mikrocomputer kommuniziert mit Ihrem Smartphone und verbessert zusätzlich die Leistungen des Ofens, der auch unter nicht idealen Bedingungen perfekt funktioniert.

Die zur Verfügung stehenden Einstellungen sind:

**COMFORT** Ideal in allen Situationen, die höchsten Komfort erfordern. In diesem Modus ermöglicht der Ofen einen optimierten Brennstoffverbrauch, um eine gute Heizleistung und einen möglichst leisen Betrieb zu gewährleisten. Sobald dieser Modus aktiviert ist, muss der Benutzer nur noch die gewünschte Temperatur wählen, und das Gerät steuert selbstständig die Flammenleistung und die Ventilation, um maximalen Komfort zu gewährleisten. In diesem Modus ist es nämlich nicht möglich, die Leistung und Ventilation zu ändern, die vom MAESTRO-System intelligent gesteuert werden.

**DYNAMIC** Wenn der traditionelle Automatikbetrieb bevorzugt wird, mit der Möglichkeit, Temperatur und Ventilation zu bestimmen.

**OVERNIGHT** Garantiert einen möglichst leisen Betrieb (bis zu 4-mal reduzierter Geräuschpegel) mit Beibehaltung der Raumtemperatur. Diese Betriebsart ist für den Nachtbetrieb oder die Temperaturerhaltung in einem bereits vorgeheizten Raum ausgelegt und garantiert eine möglichst geringe akustische Belastung. Im Nachtbetrieb „Overnight“ werden Verbrauch und Ventilation durch das MAESTRO-System intelligent gesteuert, so dass eine Änderung der Werte nicht möglich ist.

**MANUAL** Für diejenigen, die das Gerät auf traditionelle Weise ohne jegliche Temperaturkontrolle verwenden möchten. In diesem Modus kann der Benutzer das Zusammenspiel aus Flammenleistung und Ventilation nach Belieben wählen, unabhängig von Verbrauch oder Geräuschpegel.

**POWER** Betrieb bei maximaler Leistung, die vom Gerät für eine begrenzte Zeit (20 Minuten) erbracht werden kann, um eine schnelle Erwärmung einer kalten Umgebung zu ermöglichen. Diese Funktion kann nur einmal pro Stunde für die in diesem Modus vorgesehenen Leistungen und Verbräuche wieder aktiviert werden.

	Geräuschlosigkeit *	Comfort**	Heizleistung	Reduzierter Verbrauch
COMFORT	● ● ● ● ○	● ● ● ● ● ●	● ● ● ○ ○	● ● ● ● ● ○
OVERNIGHT	● ● ● ● ● ●	● ● ● ● ● ●	● ○ ○ ○ ○ ○	● ● ● ● ● ●
POWER	● ○ ○ ○ ○ ○	● ● ● ○ ○ ○	● ● ● ● ● ●	● ○ ○ ○ ○ ○
DYNAMIC	● ● ● ● ○ ○	● ● ● ● ○ ○	● ● ● ● ● ○	● ● ● ● ○ ○
MANUAL	● ○ ○ ○ ○ ○	● ○ ○ ○ ○ ○	● ● ● ● ● ○	● ● ○ ○ ○ ○

\* in Betrieb, in der Einschalt- und Ausschaltphase

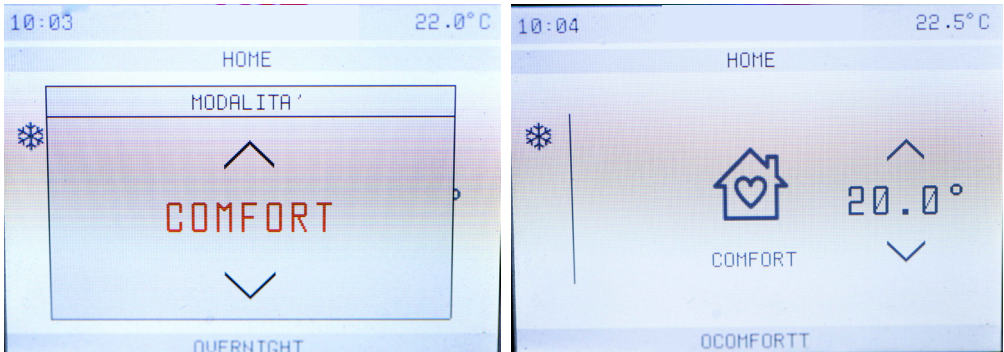
\*\* stufenweise Wärmeabgabe, Reinigung der Glasscheibe und Reinigung der Brennkammer



**SET COMFORT**

Set **COMFORT** kann durch **Drücken der OK-Taste** gewählt werden, um auf den Betriebsmodus zuzugreifen. Das Gerät arbeitet im Automatikmodus, eine Erhöhung der Ventilation ist nicht möglich.

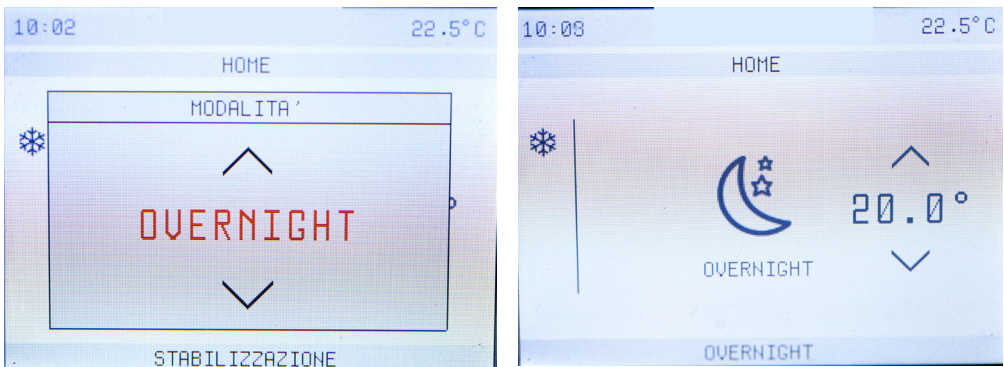
Für die Einstellung der gewünschten Temperatur die Tasten   verwenden.



**NO SET VENTILATION LEISTUNG**

**SET OVERNIGHT**

Set **OVERNIGHT** kann durch **Drücken der OK-Taste** gewählt werden, um auf den Betriebsmodus zuzugreifen. Der Benutzer hat die Möglichkeit, die Ventilation und die Temperatur zu steuern.



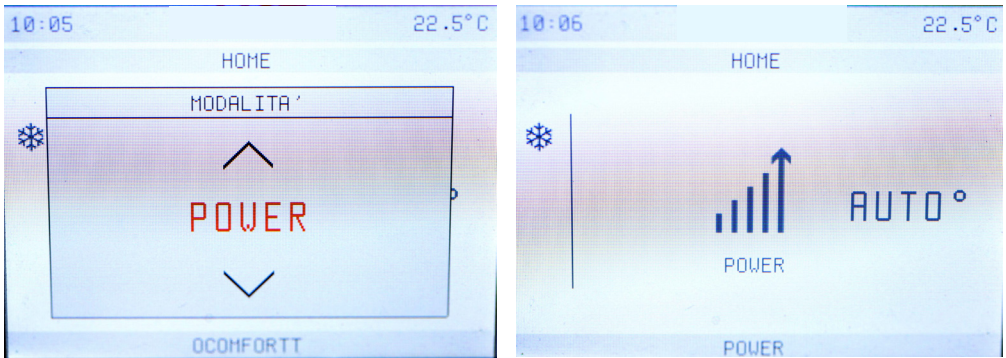
Für die Einstellung der gewünschten Temperatur die Tasten   verwenden



**NO SET VENTILATION LEISTUNG**

**SET POWER**

Set **POWER** kann durch **Drücken der OK-Taste** gewählt werden, um auf den Betriebsmodus zuzugreifen. Der Benutzer hat die Möglichkeit, die Ventilation und die Temperatur zu steuern.



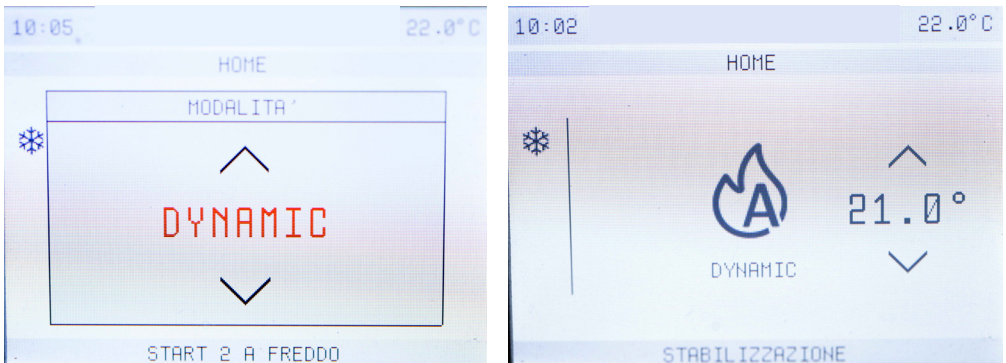
Für die Einstellung der gewünschten Temperatur die Tasten   verwenden



**WENN DER POWER-MODUS VOR ABLAUF DER 20 MINUTEN BEENDET WIRD, WIRD ER ERST NACH EINER STUNDE WIEDER AKTIVIERT.**

**SET DYNAMIC**

Set **DYNAMIC** kann durch **Drücken der OK-Taste** gewählt werden, um auf den Betriebsmodus zuzugreifen. Der Benutzer hat die Möglichkeit, die Ventilation und die Temperatur zu steuern.



Für die Einstellung der gewünschten Temperatur die Tasten   verwenden

### SET MANUAL

Set **MANUAL** kann durch **Drücken der OK-Taste** gewählt werden, um auf den Betriebsmodus zuzugreifen. Der Benutzer hat die Möglichkeit, die Ventilation und die Leistung zu steuern.



Für die Einstellung der gewünschten Temperatur die Tasten   verwenden

**NAVIGATION AUF DEN BILDSCHIRMSEITEN**

Für die Navigation auf den weiteren Bildschirmseiten genügt es, die Tasten ← → zu drücken, um die Anzeige zu wechseln. Durch Drücken der Taste → werden die Menüs wie folgt gescrollt:

**VENTILATION**

In diesem Menü kann die Drehzahl für die Ventilation sämtlicher Raumgebläse geändert werden (EIN, ZWEI oder DREI, abhängig vom Modell des Ofens, an dem die Bedientafel installiert ist). ↑ ↓

Wie bei den Flammenleistungen genügt es, die Tasten ↑ ↓ zu drücken, um die Leistungswerte von 0 bis 5 zu ändern, oder auf AUTO, damit die Ventilation der Betriebsleistung der Flamme folgt (siehe Handbuch des Geräts).

Für die Auswahl des Gebläses, dessen Drehzahl geändert werden soll, auf die Taste ← → drücken, das Gebläse wählen und die Einstellung, wie oben beschrieben, durchführen.






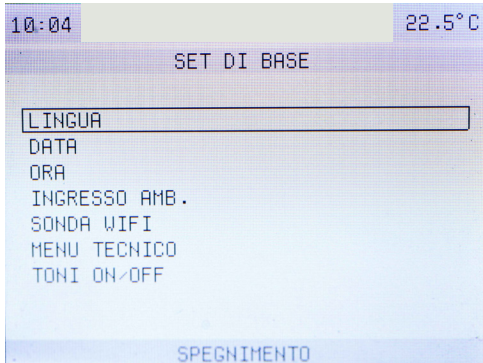
Im Menü FUNKTIONEN (siehe folgende Abschnitte) kann die Funktion SILENT aktiviert werden, die es dem Ofen erlaubt, auf Mindestleistung, ohne Raumventilation, zu laufen. Diese Funktion ist nur in der Modalität AUTO und MAN verfügbar (nicht in Modalität TIMER).

Die Funktion wird durch Drücken der Taste OK aktiviert. Nach Aktivierung der Funktion wird die Flammenleistung auf 1 gebracht, und die Ventilation schaltet sich innerhalb von 10 Minuten aus.

Die Funktion Silent aktiviert sich auch, wenn alle Gebläse, mit denen das Gerät versehen ist, auf NULL gestellt werden.

## BASIS-SET

Bildschirmseite zur Ausführung der Grundeinstellungen des Ofens. Mit den Tasten   navigieren und mit der Taste OK wählen Um zum Hauptmenü zurückzukehren auf HOME drücken 

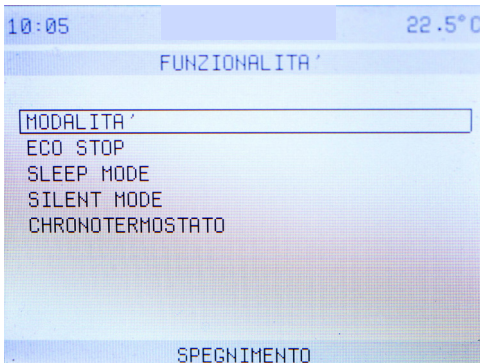


Das Menü ist wie folgt aufgebaut:

<b>SPRACHE:</b>	Menü zur Einstellung der Kommunikationssprache
<b>DATUM:</b>	Menü zur Einstellung des aktuellen Datums
<b>STUNDE:</b>	Menü zur Einstellung der aktuellen Uhrzeit
<b>EINGANG RAUM:</b>	Zur Auswahl des Raumtemperaturfühlers, der die Temperatur erfassen muss In diesem Fall kann der lokale Fühler (serienmäßig mit dem Gerät geliefert), der WIFI-Fühler (optional) oder ein Raumthermostat (optional) gewählt werden. Demzufolge sind die folgenden Optionen wählbar <ul style="list-style-type: none"> <li>• RAUMTEMPERATURFÜHLER</li> <li>• WIFI-FÜHLER</li> <li>• THERMOSTAT</li> </ul>
<b>WIFI-FÜHLER:</b>	Sollte der WIFI-Fühler gewählt werden, wird dieses Menü benötigt, um den Fühler mit dem Gerät zu verbinden und die Merkmale und die Aktualisierungs- und Lesezeiten des Fühlers zu erfahren.
<b>TECHNIKER-MENÜ:</b>	Durch Passwort geschütztes Menü für Installateure und Kundendienstzentren
<b>TÖNE ON/OFF:</b>	Aktivierung und Deaktivierung der Display-Töne

## FUNKTIONEN

Auf dieser Bildschirmseite können die erweiterten Funktionen des Ofens ausgeführt werden. Mit den Tasten   navigieren und mit der Taste OK wählen Um zum Hauptmenü zurückzukehren auf HOME drücken 



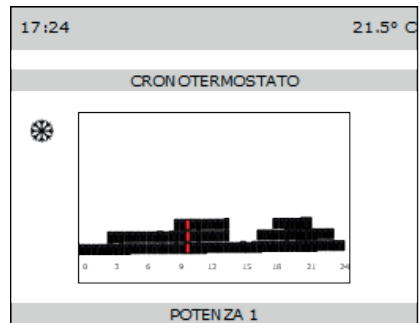
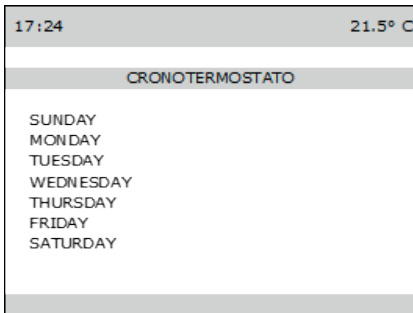
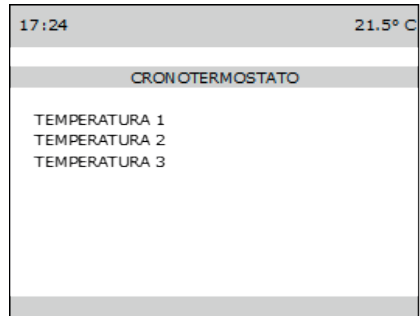
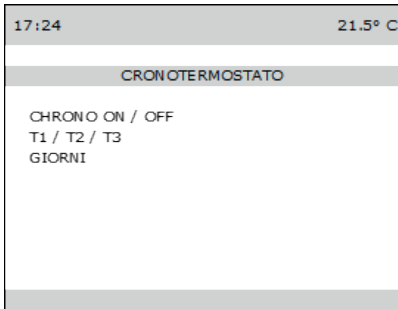
Das Menü ist wie folgt aufgebaut:

<b>AUTO MODE:</b>	Dient zur Einstellung der Funktion MANUELL oder AUTOMATIK.
<b>ECO STOP:</b>	<p>Im Menü ECO STOP können eine Aktivierungsverzögerung (min) und eine Hysterese bei der Wiedereinschaltung (C°) eingestellt und/oder geändert werden. Die Betriebsmodalität ECO ist ein Automatik-Betriebsmodus mit dem einzigen Unterschied, dass sich das Gerät, wenn die eingestellte Temperatur erreicht wird und während der im Menü zur Aktivierungsverzögerung (Wert zwischen 5 und 30 Minuten) eingestellten folgenden Minuten erhalten bleibt, abschaltet und in Standby bleibt, bis die Raumtemperatur unter die gewünschte Temperatur sinkt (das Hysterese-Intervall beträgt 2 - 5 Minuten). Daraufhin wird das Gerät erneut eingeschaltet.</p> <p>Wenn der Raum nicht ausreichend wärmedämmend ist, erlaubt die Flammregelung nicht, dass die eingestellte Temperatur für die eingestellte Zeit erhalten bleibt, folglich wird das Gerät nicht abgeschaltet.</p> <p>HINWEIS: Wir empfehlen, ECO nur bei gut wärmedämmten Räumen zu benutzen, um sehr häufiges Ein- und Ausschalten des Geräts zu vermeiden.</p>
<b>SLEEP MODE:</b>	Mit Sleep kann schnell eine Uhrzeit eingestellt werden, zu der das Gerät abschalten soll. Diese Funktion ist nur in Modalität MAN und AUTO verfügbar. Um die SLEEP Funktion zu deaktivieren, genügt es, auf die Einstellung zuzugreifen und den Countdown wieder auf Null bringen.
<b>SILENT MODE</b>	Mit Sleep kann schnell eine Uhrzeit eingestellt werden, zu der das Gerät abschalten soll. Diese Funktion ist nur in Modalität MAN und AUTO verfügbar. Um die SLEEP Funktion zu deaktivieren, genügt es, auf die Einstellung zuzugreifen und den Countdown wieder auf Null bringen.
<b>ZEITHERMOSTAT:</b>	In diesem Betriebsmodus kann das Gerät automatisch ein- und ausgeschaltet werden. Die Programme sind für jede 1/2 Stunde des Tages auf drei verschiedene Temperaturindizes (T1-T2-T3) sowie auf verschiedene Weise für jeden Wochentag programmierbar.

## DER ZEITTHERMOSTAT

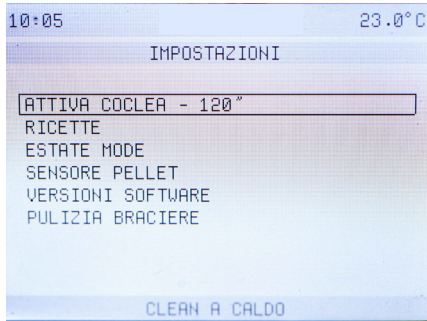
Im Menü des Zeitthermostat ist Folgendes möglich:

- ON/OFF CRONO
- T1 / T2 / T3: Zur Einstellung der Einschalt-, Ausschalt- und Einstelltemperaturen
- TAGE: Zur Einstellung der Wochentage, an denen sich der Ofen einschalten / ausschalten soll, und bei welchen Temperaturen die Einschaltung/Ausschaltung erfolgen soll (T1/T2/T3)



## EINSTELLUNGEN

Auf dieser Bildschirmseite können die erweiterten Funktionen des Ofens ausgeführt werden. Mit den Tasten   navigieren und mit der Taste OK wählen Um zum Hauptmenü zurückzukehren auf HOME drücken 



Das Menü ist wie folgt aufgebaut:

<b>SCHNECKE AKTIVIEREN-120°:</b>	Diese Funktion dient dazu, den Motor zum Einfüllen der Pellets zu dem Zeitpunkt einzuschalten, an dem sich die Endlosschraube zum Einfüllen (Schnecke) aufgrund der vollständigen Entleerung des Behälters vollständig entleert. Diese Funktion ist auch beim ersten Einschalten des Ofens hilfreich. Hauptzweck ist die Vermeidung eines verzögerten Befüllens der Brennschale beim Einschalten des Ofens und der demzufolge fehlgeschlagenen Einschaltung sowie des Auslösens des entsprechenden Alarms (A01).
<b>REZEPTE:</b>	Diese Funktion dient dazu, den Ofen an die Art der verwendeten Pellets anzupassen. Da es im Handel viele verschiedene Pelletarten gibt, ist der Betrieb des Ofens stark abhängig von der Qualität des Brennstoffs. Die Zugabe von Pellets in die Brennschale kann erhöht oder verringert werden: Um das PELLET-Rezept zu ändern, einen der verfügbaren Werte auswählen. Die verfügbaren Werte sind: 3 = Verminderung Pelletzufuhr um 20% in allen Leistungsstufen 2 = Verminderung Pelletzufuhr um 14% in allen Leistungsstufen 1 = Verminderung Pelletzufuhr um 7% in allen Leistungsstufen 0 = keine Änderung 1 = Erhöhen Pelletzufuhr um 3% in allen Leistungsstufen 2 = Erhöhen Pelletzufuhr um 6% in allen Leistungsstufen 3 = Erhöhen Pelletzufuhr um 10% in allen Leistungsstufen Um das LUFT-Rezept zu ändern, einen der verfügbaren Werte auswählen. Die verfügbaren Werte sind: 2 = - 10% - 1 = - 5% 0 = (Standardwert) 1 = + 5% 2 = + 10% Diese Funktion dient zum Regulieren der Verbrennungsluft im Falle, dass die Flamme zu hoch oder zu niedrig sein sollte.
<b>SOMMER MODE:</b>	Möglichkeit, die Jahreszeit zu wählen, um die Temperaturlesungen des Raumfühlers auf das Minimum zu reduzieren.
<b>SOFTWARE-VERSIONEN:</b>	Im Menü SET befindet sich die Option SOFTWARE-VERSION aller elektronischen Geräte.
<b>REINIGUNG DER BRENNSCHALE</b>	Nur für die Geräte „MATIC“ mit automatischer Reinigung der Brennschale.



**MENÜ INFO**

Das Menü INFO liefert einige Informationen bezüglich des Status des Ofens, um dessen Funktionsweise zu verstehen.

Es sind zwei Anzeigen, in denen mit den Tasten   gesurft werden kann

INFO		LIVE	SET
RPM FUMI	2503	-	
RPM COCLEA	0	0	
CANDELETTA	ON		
T AMBIENTE	23.0°	20.0°	
T FUMI	90°		
ACTIVE	540	139	
FRONTALE	3		

CLEAN A CALDO

INFO		LIVE	SET
AUTO MODE	MAN		
ECO STOP	OFF		
T SCHEDA	33°		
ORE AL SERVICE	1757		
BRACIERE	OK		

CLEAN A CALDO



