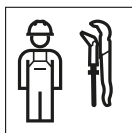
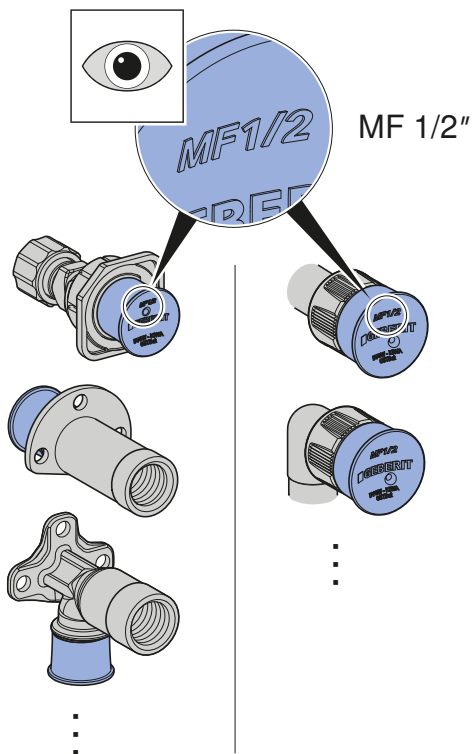


INSTALLATION MANUAL

MONTAGEANLEITUNG
INSTRUCTIONS DE MONTAGE
ISTRUZIONI PER IL MONTAGGIO

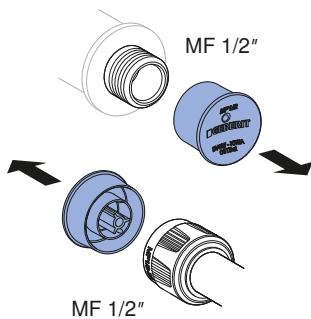
**KNOW
HOW**
INSTALLED



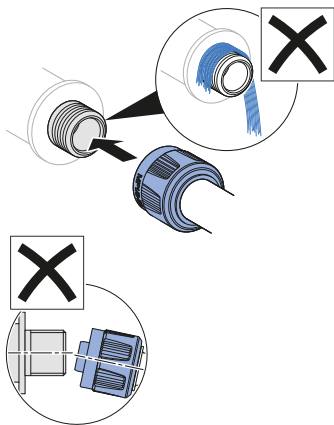




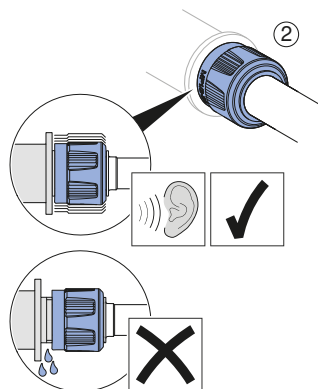
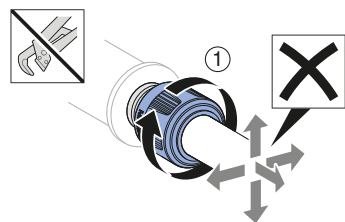
1



2



3



Geberit International AG
Schachenstrasse 77, CH-8645 Jona
documentation@geberit.com
www.geberit.com



4

 **GEBERIT**

45035999843235979 © 03-2021
968.145.00.0(05)