



reventon
INDUSTRIAL SOLUTIONS

Technical documentation

AIR WATER HEATERS IN EPP CASING EPP SERIES HC3P

MODELS:

HC3P 20
HC3P 30
HC3P 35
HC3P 45
HC3P 50
HC3P 70



- 1. INTRODUCTION
 - 1.1 PRECAUTIONS
 - 1.2 TRANSPORT
 - 1.3 PACKAGE CONTENT
 - 1.4 USE
- 2. DEVICE CHARACTERISTICS
 - 2.1 CONSTRUCTION AND PRINCIPLE OF OPERATION
 - 2.2 DEVICE DIMENSIONS
 - 2.3 DEVICE TECHNICAL DATA
- 3. ASSEMBLY
 - 3.1 GENERAL PRINCIPLES
 - 3.2 ROTATING MOUNTING BRACKET
- 4. INSTALLATION INSTRUCTIONS
 - 4.1 CONNECTION OF THE DEVICE TO THE HYDAULIC SYSTEM
 - 4.2 CONNECTION OF THE DEIVCE TO THE ELECTRICAL SYSTEM
- 5. PRECAUTIONS & WARNINGS
- 6. CONTROLS
- 7. CONNECTION SCHEMES
- 8. TERMS OF WARRANTY

1. INTRODUCTION

Thank you very much for purchasing air water heater HC3P. We would like to congratulate you on excellent choice. Please read and keep this manual.

1.1 PRECAUTIONS

The buyer and the user of the air water heater Reventon Group brand should read carefully the following instructions and proceed to the content recommendations. Proceeding due to the following instruction guarantees the correct usage and safety. In case of any doubts please contact directly the producer Reventon Group sp. z o. o. [Ltd.]. The producer reserves the rights to make changes to the technical documentation without previous notice. Reventon Group sp. z o. o. [Ltd.] is not responsible for the damages which occur due to improper installation, not keeping the device in repair or using the device out of line. The installation should be carried out by the professional installers, who possess the qualifications to install these types of devices. The installers are responsible for making the installation as instructed in the technical data. In case of unserviceable please plug out the device and contact with the authorized for repair person or the supplier. During the installation, use, service and periodical inspections all regulations and safety rules must be followed.

1.2 TRANSPORT

During the acceptance of goods, it is needed to check the device to exclude any damages. During the transport, it is needed to use the proper equipment, it is necessary to carry the device by two people. In case of any damages please fill in the damage report in presence of the supplier.

1.3 PACKAGE CONTENT

- heater
- operation and maintenance manual and warranty card

1.4 USE

Heating devices Reventon Group HC3P series are used to heat spaces such as: production halls, warehouses, commercial room, service spaces, garages, workshops, greenhouses, tents, shops, malls, shopping malls etc. However, heating devices should not be used in corrosive environments for aluminum, copper and steel as well as in highly dusty environments (above 0.3 g/m³). The devices should not be installed in rooms where they would be exposed to high humidity or direct contact with water.

2. DEVICE CHARACTERISTICS

2.1 CONSTRUCTION AND PRINCIPLE OF OPERATION

Casing: made of expanded polypropylene (EPP). This material is characterized by low density (light weighted) and high chemical and physical resistance. It has an excellent sound and thermal insulation properties. Moreover, material is environmentally friendly and "green", i.e. 100% recyclable.

Air stators: made of polypropylene PP. It is possible to adjust manually the air stators to achieve the needed direction of the air flow. There are also versions with confusor (increased airflow range) or with diffuser 360° (better mixing of supplied and room air).

Heating coil: made of copper and aluminum. Supplied by distribution medium (heating or cooling), which circulates through the coil and releases or extracts heat from the air. The coil has the following technical parameters: the maximum temperature of the heating factor is 120°C; maximum pressure 1.6 MPa, headers diameter ¾". Depending on dimensions of the device the heaters are equipped with 1.2 or 3-row heating coils.

Axial blowing fan: made of galvanized steel. The objective of the fan is to ensure air flow through the exchanger. It has a three-phase, three speed motor with the following parameters: protection degree IP54, rate current 0.54A-1.08 A (depending on model and operating mode). Models HC3P 20, HC3P 30, HC3P 35 and HC3P 45 have fans with diameter 400 mm. Models HC3P 50 and HC3P 70 have fans with diameter 450 mm.

Rotating mounting bracket (optional equipment): enables the device to be installed in several configurations (depending on the requirements) and the unit to be rotated in a horizontal plane.

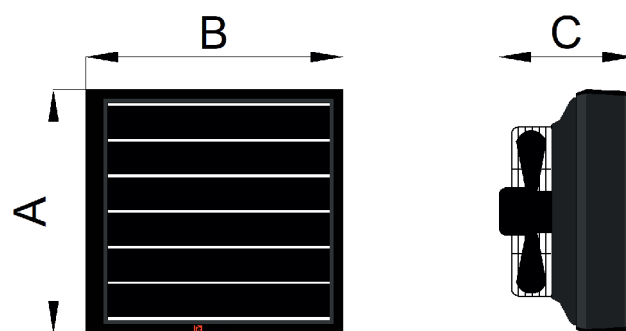
2.2 DEVICE DIMENSIONS

- HC3P 20, HC3P 30, HC3P 35 and HC3P 45:

- height (A): 598 mm
- width (B): 636 mm
- depth (C): 340 mm

- HC3P 50 and HC3P 70:

- height (A): 698 mm
- width (B): 739 mm
- depth (C): 360 mm



2.3 DEVICE TECHNICAL DATA

TECHNICAL DATA	HC3P 20	HC3P 30	HC3P 35	HC3P 45	HC3P 50	HC3P 70
Product code	WHHC3P20-1514	WHHC3P30-1626	WHHC3P35-1515	WHHC3P45-1627	WHHC3P50-1516	WHHC3P70-1517
Nominal heating capacity [kW]*	21.4	26.4	30.3	42.0	44.3	60.6
Heating capacity range [kW]**	2.36 – 28.4	2.84 – 34.9	3.51 – 40.1	6.02 – 55.6	6.23 – 58.5	8.78 – 80.1
Maximum airflow [m ³ /h]	3200	3100	2700	2500	4000	3400
Maximum horizontal range [m]	19	18	15	14	21	18
Number of rows [pcs.]	1	1	2	2	2	3
Capacity of water [dm ³]	0.65	0.8	1.35	1.7	1.95	2.85
Maximum temperature of working fluid [°C]	120	120	120	120	120	120
Maximum working pressure [MPa]	1.6	1.6	1.6	1.6	1.6	1.6
Connection diameter ["]	3/4	3/4	3/4	3/4	3/4	3/4
Supply voltage [V] / Supply frequency [Hz]	400/50	400/50	400/50	400/50	400/50	400/50
Rated motor current [A]	0.47	0.47	0.47	0.47	0.60	0.60
Motor speed [rpm]	1400	1400	1400	1400	1360	1360
Motor power [W]	190	190	190	190	240	240
Protection degree IP [-]	54	54	54	54	54	54
Net weight [kg]	11.5	12	12.5	14	17.5	19.5
Noise [dB]***	55	55	54	54	59	58

* for parameters 90/70°C and 0°C inlet air temperature

** max. 120/90°C, 0°C inlet air temperature // min. 40/30°C, 20°C inlet air temperature

*** measurement at the distance 5 m

Parameters	HC3P 20 - 3200 m³/h				
Supply/return water temperature [°C]	120/90				
Dry bulb air inlet temperature [°C]	0	5	10	15	20
Heating capacity [kW]	28.4	26.6	24.8	23.1	21.4
Dry bulb air outlet temperature [°C]	24.7	28.5	32.4	36.2	40
Water flow [m³/h]	0.84	0.78	0.73	0.68	0.63
Pressure drop in the heat exchanger [kPa]	4	4	3	3	3

Parameters	HC3P 20 - 3200 m³/h				
Supply/return water temperature [°C]	90/70				
Dry bulb air inlet temperature [°C]	0	5	10	15	20
Heating capacity [kW]	21.4	19.7	18	16.4	14.7
Dry bulb air outlet temperature [°C]	18.6	22.4	26.2	30	33.8
Water flow [m³/h]	0.94	0.87	0.79	0.72	0.65
Pressure drop in the heat exchanger [kPa]	6	5	4	3	3

Parameters	HC3P 20 - 3200 m³/h				
Supply/return water temperature [°C]	80/60				
Dry bulb air inlet temperature [°C]	0	5	10	15	20
Heating capacity [kW]	18.1	16.4	14.7	13.1	11.5
Dry bulb air outlet temperature [°C]	15.7	19.5	23.3	27	30.8
Water flow [m³/h]	0.79	0.72	0.65	0.58	0.51
Pressure drop in the heat exchanger [kPa]	4	3	3	2	2

Parameters	HC3P 20 - 3200 m³/h				
Supply/return water temperature [°C]	70/50				
Dry bulb air inlet temperature [°C]	0	5	10	15	20
Heating capacity [kW]	14.7	13.1	11.5	9.90	8.37
Dry bulb air outlet temperature [°C]	12.8	16.6	20.3	24.1	27.8
Water flow [m³/h]	0.64	0.57	0.50	0.43	0.37
Pressure drop in the heat exchanger [kPa]	3	2	2	1	1

Parameters	HC3P 20 - 3200 m³/h				
Supply/return water temperature [°C]	50/30				
Dry bulb air inlet temperature [°C]	0	5	10	15	20
Heating capacity [kW]	7.95	6.44	4.98	3.55	2.18
Dry bulb air outlet temperature [°C]	6.9	10.7	14.5	18.3	22.0
Water flow [m³/h]	0.35	0.28	0.22	0.15	0.09
Pressure drop in the heat exchanger [kPa]	1	1	0	0	0

Parameters	HC3P 20 - 3200 m³/h				
Supply/return water temperature [°C]	40/30				
Dry bulb air inlet temperature [°C]	0	5	10	15	20
Heating capacity [kW]	8.31	6.76	5.25	3.78	2.36
Dry bulb air outlet temperature [°C]	7.2	11	14.7	18.5	22.2
Water flow [m³/h]	0.72	0.59	0.45	0.33	0.20
Pressure drop in the heat exchanger [kPa]	4	3	2	1	0

Parameters	HC3P 30 - 3100 m³/h				
Supply/return water temperature [°C]	120/90				
Dry bulb air inlet temperature [°C]	0	5	10	15	20
Heating capacity [kW]	34.9	32.7	30.6	28.4	26.3
Dry bulb air outlet temperature [°C]	31.4	34.9	38.4	41.9	45.4
Water flow [m³/h]	1.03	0.97	0.9	0.84	0.78
Pressure drop in the heat exchanger [kPa]	6	6	5	4	4

Parameters	HC3P 30 - 3100 m³/h				
Supply/return water temperature [°C]	90/70				
Dry bulb air inlet temperature [°C]	0	5	10	15	20
Heating capacity [kW]	26.4	24.2	22.1	20.1	18.1
Dry bulb air outlet temperature [°C]	23.7	27.1	30.6	34	37.4
Water flow [m³/h]	1.16	1.07	0.98	0.89	0.8
Pressure drop in the heat exchanger [kPa]	8	7	6	5	4

Parameters	HC3P 30 - 3100 m³/h				
Supply/return water temperature [°C]	80/60				
Dry bulb air inlet temperature [°C]	0	5	10	15	20
Heating capacity [kW]	22.2	20.1	18.1	16.1	14.2
Dry bulb air outlet temperature [°C]	19.9	23.4	26.8	30.2	33.6
Water flow [m³/h]	0.97	0.88	0.79	0.71	0.62
Pressure drop in the heat exchanger [kPa]	6	5	4	3	3

Parameters	HC3P 30 - 3100 m³/h				
Supply/return water temperature [°C]	70/50				
Dry bulb air inlet temperature [°C]	0	5	10	15	20
Heating capacity [kW]	18	16	14	12.1	10.2
Dry bulb air outlet temperature [°C]	16.2	19.6	23.1	26.5	29.8
Water flow [m³/h]	0.79	0.7	0.61	0.53	0.45
Pressure drop in the heat exchanger [kPa]	4	3	3	2	1

Parameters	HC3P 30 - 3100 m³/h				
Supply/return water temperature [°C]	50/30				
Dry bulb air inlet temperature [°C]	0	5	10	15	20
Heating capacity [kW]	9.68	7.82	6.0	4.25	2.58
Dry bulb air outlet temperature [°C]	8.7	12.1	15.6	19.0	22.5
Water flow [m³/h]	0.42	0.34	0.26	0.18	0.11
Pressure drop in the heat exchanger [kPa]	1	1	1	0	0

Parameters	HC3P 30 - 3100 m³/h				
Supply/return water temperature [°C]	40/30				
Dry bulb air inlet temperature [°C]	0	5	10	15	20
Heating capacity [kW]	10.2	8.27	6.4	4.58	2.84
Dry bulb air outlet temperature [°C]	9.1	12.6	16.0	19.3	22.7
Water flow [m³/h]	0.88	0.72	0.55	0.4	0.25
Pressure drop in the heat exchanger [kPa]	5	4	2	1	0

Parameters	HC3P 35 - 2700 m³/h				
Supply/return water temperature [°C]	120/90				
Dry bulb air inlet temperature [°C]	0	5	10	15	20
Heating capacity [kW]	40.1	37.6	35.1	32.7	30.3
Dry bulb air outlet temperature [°C]	41.3	44.4	47.5	50.5	53.5
Water flow [m³/h]	1.18	1.11	1.04	0.97	0.89
Pressure drop in the heat exchanger [kPa]	5	4	4	3	3

Parameters	HC3P 35 - 2700 m³/h				
Supply/return water temperature [°C]	90/70				
Dry bulb air inlet temperature [°C]	0	5	10	15	20
Heating capacity [kW]	30.3	27.9	25.5	23.2	20.9
Dry bulb air outlet temperature [°C]	31.2	34.2	37.2	40.2	43.1
Water flow [m³/h]	1.33	1.23	1.12	1.02	0.92
Pressure drop in the heat exchanger [kPa]	6	5	4	4	3

Parameters	HC3P 35 - 2700 m³/h				
Supply/return water temperature [°C]	80/60				
Dry bulb air inlet temperature [°C]	0	5	10	15	20
Heating capacity [kW]	25.6	23.3	21	18.7	16.5
Dry bulb air outlet temperature [°C]	26.4	29.4	32.4	35.3	38.2
Water flow [m³/h]	1.13	1.02	0.92	0.82	0.72
Pressure drop in the heat exchanger [kPa]	4	4	3	2	2

Parameters	HC3P 35 - 2700 m³/h				
Supply/return water temperature [°C]	(70/50)				
Dry bulb air inlet temperature [°C]	0	5	10	15	20
Heating capacity [kW]	21.0	18.7	16.4	14.2	12.1
Dry bulb air outlet temperature [°C]	21.6	24.6	27.6	30.5	33.4
Water flow [m³/h]	0.92	0.82	0.72	0.62	0.53
Pressure drop in the heat exchanger [kPa]	3	2	2	1	1

Parameters	HC3P 35 - 2700 m³/h				
Supply/return water temperature [°C]	(50/30)				
Dry bulb air inlet temperature [°C]	0	5	10	15	20
Heating capacity [kW]	11.6	9.48	7.4	5.36	3.38
Dry bulb air outlet temperature [°C]	12.0	14.9	17.9	20.8	23.7
Water flow [m³/h]	0.50	0.41	0.32	0.23	0.15
Pressure drop in the heat exchanger [kPa]	1	1	0	0	0

Parameters	HC3P 35 - 2700 m³/h				
Supply/return water temperature [°C]	(40/30)				
Dry bulb air inlet temperature [°C]	0	5	10	15	20
Heating capacity [kW]	11.9	9.71	7.59	5.52	3.51
Dry bulb air outlet temperature [°C]	12.2	15.2	18.1	21.0	23.9
Water flow [m³/h]	1.03	0.84	0.66	0.48	0.30
Pressure drop in the heat exchanger [kPa]	4	3	2	1	0

Parameters	HC3P 45 - 2500 m³/h				
Supply/return water temperature [°C]	120/90				
Dry bulb air inlet temperature [°C]	0	5	10	15	20
Heating capacity [kW]	55.6	52.1	48.8	45.6	42.4
Dry bulb air outlet temperature [°C]	61.8	64.1	66.3	68.5	70.7
Water flow [m³/h]	1.64	1.54	1.44	1.35	1.25
Pressure drop in the heat exchanger [kPa]	21	19	17	15	13

Parameters	HC3P 45 - 2500 m³/h				
Supply/return water temperature [°C]	90/70				
Dry bulb air inlet temperature [°C]	0	5	10	15	20
Heating capacity [kW]	42.0	38.8	35.6	32.5	29.5
Dry bulb air outlet temperature [°C]	46.7	48.9	51.1	53.2	55.2
Water flow [m³/h]	1.85	1.71	1.57	1.43	1.3
Pressure drop in the heat exchanger [kPa]	27	24	20	17	14

Parameters	HC3P 45 - 2500 m³/h				
Supply/return water temperature [°C]	80/60				
Dry bulb air inlet temperature [°C]	0	5	10	15	20
Heating capacity [kW]	36.2	33.0	29.9	26.9	24.0
Dry bulb air outlet temperature [°C]	40.3	42.4	44.5	46.6	48.6
Water flow [m³/h]	1.59	1.45	1.31	1.18	1.05
Pressure drop in the heat exchanger [kPa]	21	18	15	12	10

Parameters	HC3P 45 - 2500 m³/h				
Supply/return water temperature [°C]	70/50				
Dry bulb air inlet temperature [°C]	0	5	10	15	20
Heating capacity [kW]	30.3	27.2	24.2	21.2	18.3
Dry bulb air outlet temperature [°C]	33.7	35.8	37.9	39.9	41.9
Water flow [m³/h]	1.33	1.19	1.06	0.93	0.8
Pressure drop in the heat exchanger [kPa]	16	13	10	8	6

Parameters	HC3P 45 - 2500 m³/h				
Supply/return water temperature [°C]	50/30				
Dry bulb air inlet temperature [°C]	0	5	10	15	20
Heating capacity [kW]	18.4	15.4	12.5	9.65	6.78
Dry bulb air outlet temperature [°C]	20.4	22.5	24.4	26.3	28.1
Water flow [m³/h]	0.8	0.67	0.54	0.42	0.29
Pressure drop in the heat exchanger [kPa]	7	5	3	2	1

Parameters	HC3P 45 - 2500 m³/h				
Supply/return water temperature [°C]	40/30				
Dry bulb air inlet temperature [°C]	0	5	10	15	20
Heating capacity [kW]	17.4	14.4	11.6	8.78	6.02
Dry bulb air outlet temperature [°C]	19.3	21.3	23.4	25.3	27.2
Water flow [m³/h]	1.5	1.25	1.0	0.76	0.52
Pressure drop in the heat exchanger [kPa]	21	15	10	6	3

Parameters	HC3P 50 - 4000 m³/h				
Supply/return water temperature [°C]	120/90				
Dry bulb air inlet temperature [°C]	0	5	10	15	20
Heating capacity [kW]	58.5	54.9	51.5	48.1	44.7
Dry bulb air outlet temperature [°C]	40.7	43.9	47.1	50.3	53.4
Water flow [m³/h]	1.73	1.62	1.52	1.42	1.32
Pressure drop in the heat exchanger [kPa]	13	12	10	9	8

Parameters	HC3P 50 - 4000 m³/h				
Supply/return water temperature [°C]	90/70				
Dry bulb air inlet temperature [°C]	0	5	10	15	20
Heating capacity [kW]	44.3	40.9	37.6	34.3	31.1
Dry bulb air outlet temperature [°C]	30.8	33.9	37.1	40.2	43.2
Water flow [m³/h]	1.95	1.80	1.66	1.51	1.37
Pressure drop in the heat exchanger [kPa]	17	15	12	11	9

Parameters	HC3P 50 - 4000 m³/h				
Supply/return water temperature [°C]	80/60				
Dry bulb air inlet temperature [°C]	0	5	10	15	20
Heating capacity [kW]	38.0	34.7	31.5	28.3	25.2
Dry bulb air outlet temperature [°C]	26.5	29.6	32.7	35.7	38.8
Water flow [m³/h]	1.67	1.52	1.38	1.24	1.11
Pressure drop in the heat exchanger [kPa]	13	11	9	7	6

Parameters	HC3P 50 - 4000 m³/h				
Supply/return water temperature [°C]	70/50				
Dry bulb air inlet temperature [°C]	0	5	10	15	20
Heating capacity [kW]	31.8	28.5	25.3	22.2	19.1
Dry bulb air outlet temperature [°C]	22.1	25.2	28.3	31.3	34.3
Water flow [m³/h]	1.39	1.25	1.11	0.97	0.84
Pressure drop in the heat exchanger [kPa]	9	8	6	5	4

Parameters	HC3P 50 - 4000 m³/h				
Supply/return water temperature [°C]	50/30				
Dry bulb air inlet temperature [°C]	0	5	10	15	20
Heating capacity [kW]	19.1	16.0	12.9	9.92	6.92
Dry bulb air outlet temperature [°C]	13.3	16.3	19.3	22.3	25.2
Water flow [m³/h]	0.83	0.69	0.56	0.43	0.30
Pressure drop in the heat exchanger [kPa]	4	3	2	1	1

Parameters	HC3P 50 - 4000 m³/h				
Supply/return water temperature [°C]	40/30				
Dry bulb air inlet temperature [°C]	0	5	10	15	20
Heating capacity [kW]	18.2	15.1	12.1	9.15	6.23
Dry bulb air outlet temperature [°C]	12.7	15.7	18.7	21.7	24.6
Water flow [m³/h]	1.58	1.31	1.05	0.79	0.54
Pressure drop in the heat exchanger [kPa]	13	9	6	4	2

Parameters	HC3P 70 - 3400 m³/h				
Supply/return water temperature [°C]	120/90				
Dry bulb air inlet temperature [°C]	0	5	10	15	20
Heating capacity [kW]	80.1	75.2	70.5	65.8	61.2
Dry bulb air outlet temperature [°C]	65.6	67.7	69.8	71.8	73.7
Water flow [m³/h]	2.37	2.22	2.08	1.94	1.81
Pressure drop in the heat exchanger [kPa]	18	16	14	12	11

Parameters	HC3P 70 - 3400 m³/h				
Supply/return water temperature [°C]	90/70				
Dry bulb air inlet temperature [°C]	0	5	10	15	20
Heating capacity [kW]	60.6	55.9	51.4	46.9	42.6
Dry bulb air outlet temperature [°C]	49.6	51.6	53.6	55.5	57.4
Water flow [m³/h]	2.67	2.46	2.26	2.07	1.88
Pressure drop in the heat exchanger [kPa]	23	20	17	14	12

Parameters	HC3P 70 - 3400 m³/h				
Supply/return water temperature [°C]	80/60				
Dry bulb air inlet temperature [°C]	0	5	10	15	20
Heating capacity [kW]	52.2	47.6	43.2	38.8	34.6
Dry bulb air outlet temperature [°C]	42.7	44.7	46.7	48.5	50.4
Water flow [m³/h]	2.29	2.09	1.90	1.71	1.52
Pressure drop in the heat exchanger [kPa]	17	15	12	10	8

Parameters	HC3P 70 - 3400 m³/h				
Supply/return water temperature [°C]	70/50				
Dry bulb air inlet temperature [°C]	0	5	10	15	20
Heating capacity [kW]	43.8	39.3	35.0	30.7	26.6
Dry bulb air outlet temperature [°C]	35.8	37.8	39.7	41.5	43.3
Water flow [m³/h]	1.92	1.72	1.53	1.34	1.16
Pressure drop in the heat exchanger [kPa]	13	10	8	6	5

Parameters	HC3P 70 - 3400 m³/h				
Supply/return water temperature [°C]	50/30				
Dry bulb air inlet temperature [°C]	0	5	10	15	20
Heating capacity [kW]	26.7	22.4	18.3	14.1	9.94
Dry bulb air outlet temperature [°C]	21.9	23.7	25.5	27.1	28.7
Water flow [m³/h]	1.16	0.97	0.79	0.61	0.43
Pressure drop in the heat exchanger [kPa]	5	4	3	2	1

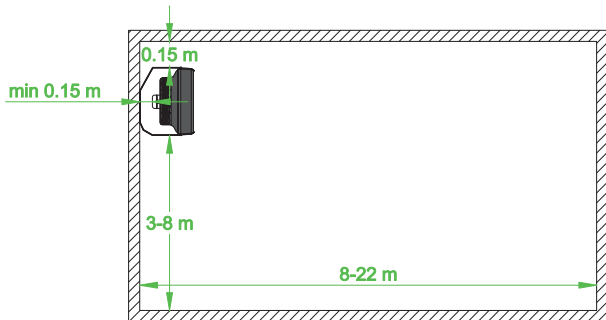
Parameters	HC3P 70 - 3400 m³/h				
Supply/return water temperature [°C]	40/30				
Dry bulb air inlet temperature [°C]	0	5	10	15	20
Heating capacity [kW]	25.1	20.9	16.8	12.7	8.78
Dry bulb air outlet temperature [°C]	20.5	22.4	24.2	26.0	27.7
Water flow [m³/h]	2.17	1.81	1.45	1.1	0.76
Pressure drop in the heat exchanger [kPa]	17	12	8	5	2

3. ASSEMBLY

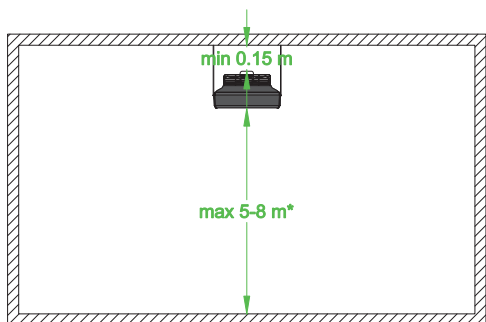
3.1. GENERAL PRINCIPLES

During installation, ensure a free air flow to the device and do not restrict the air stream supply. The figures below show the recommended distances between the heater and building partitions:

a) in case of wall mounting

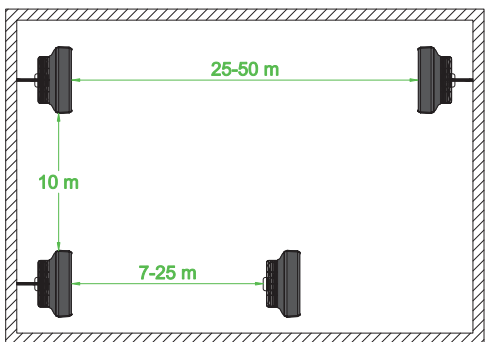


b) in case of ceiling mounting



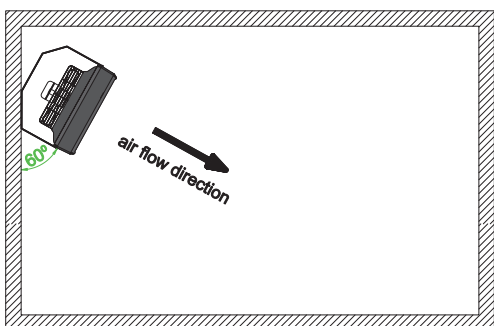
* the maximum vertical range depends on the model

In case of higher heat demand, more units can be installed in the room. In order to ensure proper air flow, it is necessary to maintain the recommended distances between the heaters, as shown in the following figure.



3.2. ROTATING MOUNTING BRACKET

The Reventon Group HC3P series devices can be assembled using a rotating mounting bracket. It enables the heaters installation on the wall or ceiling, depending on the required optimal direction of airflow.



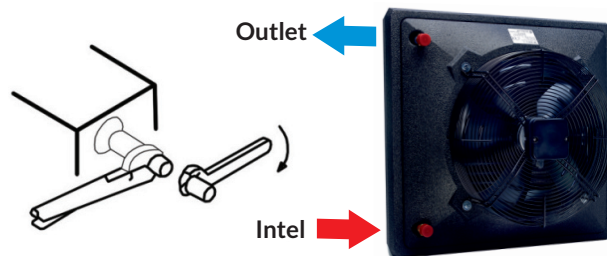
4. INSTALLATION INSTRUCTIONS

4.1. CONNECTION OF THE DEVICE TO THE HYDAULIC SYSTEM

- pipes should be connected as indicated on the heater (supply from below, return from above)

- connecting the device to the hydraulic installation, do remember to hold the connectors by pipes spanner

Not keeping to the recommendation may cause the damages of the heating coil.



- it is recommended to use filter on the water supply pipe

- it is recommended to use the following valves:

- vent valve in the highest place on the hydraulic installation
- cut off valve on the supply and return pipes of the device

- installation has to be secured against excessive increase of pressure

- it is recommended to check the leak tightness of the hydraulic system before plugging the electric supply

4.2. CONNECTION OF THE DEVICE TO THE ELECTRICAL SYSTEM

- all works concerning electrical installation should be made by the qualified personnel (who possess required authorizations to install electrical equipment), based on wiring schematic diagram (see 7)

- the electrical installation of the building shall have a residual current device

- it is recommended to check the electric installation and controls before the first start

5. PRECAUTIONS & WARNINGS

The precautions mentioned below must be strictly followed during operation of the device:

- all works concerning electrical installation (disassembly, repair etc.) should be made by the qualified staff, who possess the qualifications due to the domestic and local norms, regarding electrical installations

- before service or exchange of the device it is obligatory to cut off the current supply

- do not limit or cover the inlet and outlet of the device

- do not install, service the device with wet hands or barefoot

- the device should be kept out of reach of children and animals

- the device does not consist of the anti-frost protection- the temperature in the room, where device is installed, should not go below 0°C; if such situation could take place empty the device out of water

- after the turn off, the elements of device may be warm

- after operating time of the device, please utilize it concerning the local norms and regulations

- it is recommended to clean the device periodically (at least twice a year):

- heating coil blow with compressed air
- fan casing and blades clean from dirt

- failure to comply with cleaning obligations may have a negative effect on technical parameters of the device and lead to loss of warranty

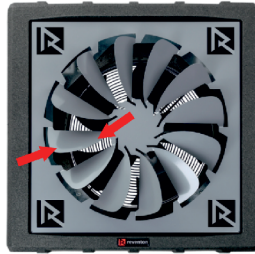
- If the device is not used for a longer time disconnect the power supply

- air stators of the device have to be open in at least 30% before first start:

- **standard version** - opening of air stators must be done by two hands in parallel



- **version with diffuser 360°** - air stators of diffuser 360° must be done by two hands to the outside



- **version with confusor** - the outlet do not have air stators which must be open

- using diffuser 360° or confusor causes decrease of device airflow of around 10% and consequently reduction of its heating capacity of about 5%

6. CONTROLS

Usage of automatic control dedicated to the three-phase air water heaters of Reventon Group gives possibility of adjusting the heater performance. We offer the following items:

Fan speed controller HC3P

is designed to change the three-phase fan's speed voltage controlled in industrial supply and heating systems. It is available in several versions. The selection of the appropriate model depends on the number of the devices that have to be connected to the to one regulator - the total intensity of the connected devices cannot exceed the maximum current flow of the regulator.



5 control levels: 95-145-190-240-400 V
Voltage/ Frequency: 400 V AC / 50 - 60 Hz
Maximum current output (depending on model):
1.5 A, 2 A, 4 A, 5 A or 7 A
Protection: thermal switch
Weight(depending on model):
10 kg, 11.7 kg, 15 kg, 18 kg or 21 kg
Degree of protection: IP 21

COOPERATION OF CONTROLLERS WITH EQUIPMENT

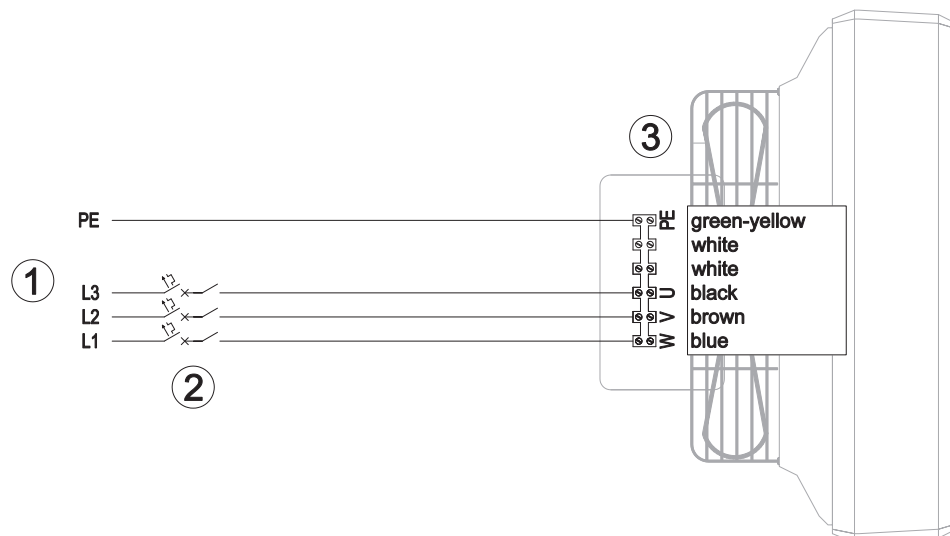
Model	HC3P 1.5 A	HC3P 2 A	HC3P 4 A	HC3P 5 A	HC3P 7 A
HC3P 20	3	4	8	10	14
HC3P 30	3	4	8	10	14
HC3P 35	3	4	8	10	14
HC3P 45	3	4	8	10	14
HC3P 50	2	3	6	8	11
HC3P 70	2	3	6	8	11

7. CONNECTION SCHEMES

LEGEND:

1. Power
2. Main switch, overcurrent circuit breaker*
3. Air water heater Reventon HC3P

* main switch and safety fuses are not included in the set



8. TERMS OF WARRANTY

I. Producer Reventon Group Sp. z o.o. [Ltd.] grants the buyer a 24-month warranty period for the following devices:

- air water heater HC3P 20
- air water heater HC3P 30
- air water heater HC3P 35
- air water heater HC3P 45
- air water heater HC3P 50
- air water heater HC3P 70

II. The terms of warranty are valid from purchasing the device (i.e. invoice / another confirming document issue date) but not longer than 30 months from leaving the producer's warehouse.

III. To obtain the service it is needed to provide or send to the producer scans of the warranty card with stamp of installation company, document confirming the purchase (eg. like copy of the invoice) and correctly filled the warranty form.

IV. The producer is committed to consider the claim within 14 working days since the date of reporting (i. e. day when documents given in point III are provided).

V. In the exceptional cases, the producer reserves the right to extend the time limit for examination of warranty, especially if the defect is not permanent and its determination requires a longer period of time. The extension must be notified by the producer before the end of the 14th working day.

VI. Under the guarantee the producer provides a repairment, replacement or refund for the defective device within a specified time limit.

VII. Warranty does not cover the parts of the device subject to normal maintenance and the following cases:

a) mechanical damage of the product

b) defects and damages through:

- improper storage or transport
- improper or non-compliant use and maintenance (i. e. inconsistent with the manual)
- using the device in the improper conditions (too high humidity, too high or too low temperature, impact of the surrounding, sun etc.)
- unauthorized (by the user or other unauthorized persons) repairs, modifications or construction changes
- connecting equipment inconsistent with the technical documentation
- connecting additional equipment, which is not recommended by the producer
- improper power supply

c) elements which wear and tear such as discolor of the housing

If there is any of the above, claimant will be charged for transport and/or repairs.

VIII. Any changes in the Warranty Terms, improper use of the product (careless handling, exposure to liquids, moisture, corrosion), as well as traces of self-repairing (non by the Reventon Group) or alterations cause, the warranty is not valid.

IX. Not following to any of warranty regulations makes the warranty not valid.

X. All correspondence, returns, complains should be send to the following address: Reventon Group Sp. z o.o. [Ltd.], 556 Wyzwolenia Street, 43-340 Kozy, Poland or email address: serwis@reventongroup.eu.

The producer reserves the rights to make changes to the technical documentation without previous notice.

Warranty card

Factory number of the device:	Address and place of assembly :
Stamp and signature of the installation company:	

Warranty form

The company reporting the complaint:	Date of assembly:	Address and place of assembly the device:
The company installing the device:	Date and circumstances of noticing the defect:	
	Factory number of the device:	Date of declaration the complaint:
Description of the defect:		
Contact Name and Surname, telephone number/ e-mail address:		

Service card

Date of declaration the complaint:	Description of the repair:	Service stamp:
Date of repair:		



reventon
INDUSTRIAL SOLUTIONS

Reventon Group Sp. z o.o. [Ltd.], 556 Wyzwolenia Street, 43-340 Kozy, Poland, www.reventongroup.eu