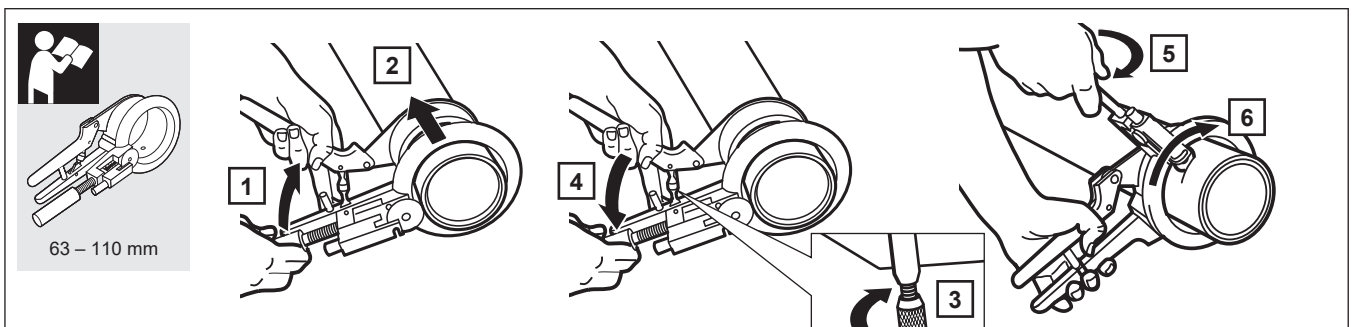
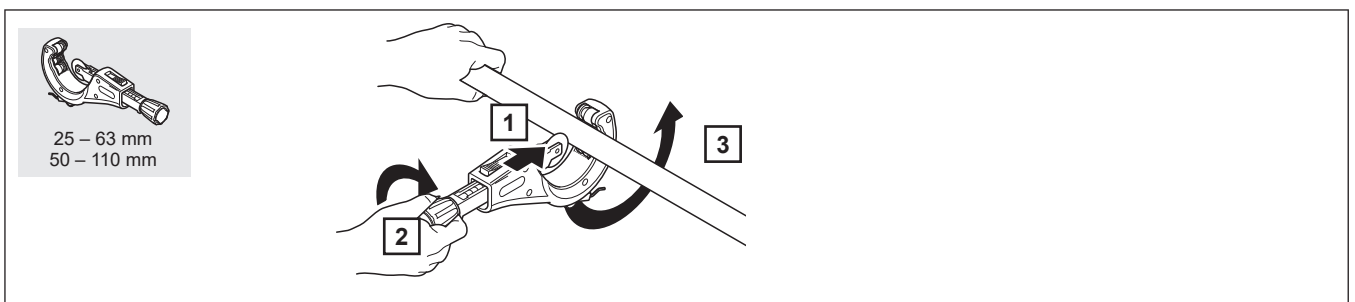
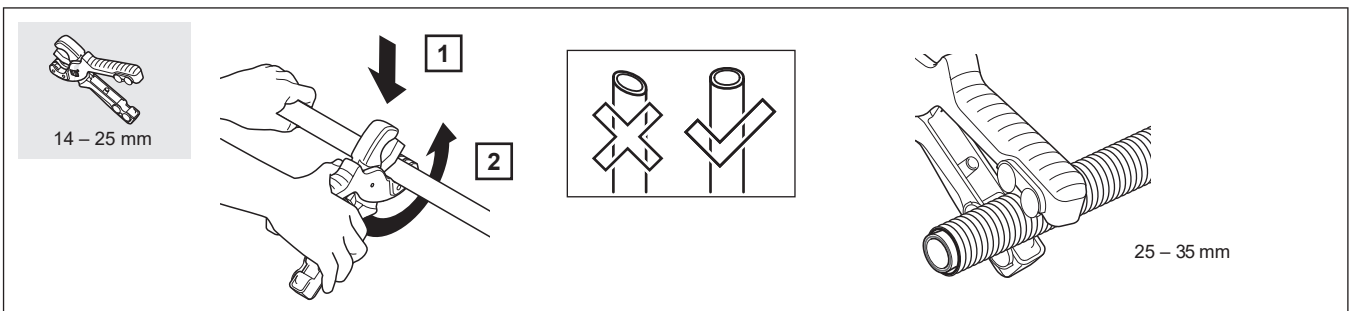
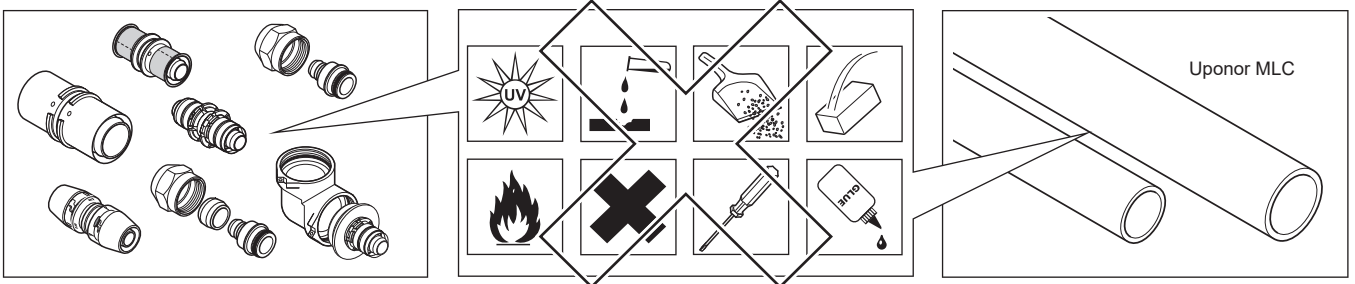


Uponor MLC 14 – 110 mm





d_a [mm]	R_{min} [mm]
14	70
16	80
20	100
25	125
32	160

14 – 32 mm

d_a [mm]	R_{min} [mm]
14	56
16	64
20	80
25	100
32	128

14 – 25 mm

d_a [mm]	R_{min} [mm]
14	56
16	64
20	80
25	100

16 – 32 mm

d_a [mm]	R_{min} [mm]
16	46
20	80
25	83
32	111

$$\Delta l \text{ [mm]} = \Delta \vartheta \text{ [K]} \cdot 0,025 \frac{\text{mm}}{\text{m} \cdot \text{K}} \cdot L \text{ [m]}$$

$$BS \text{ [mm]} = 30 \cdot \sqrt{d_a \text{ [mm]} \cdot \Delta l \text{ [mm]}}$$

Dim. [mm]	L_{max} [m]	
14 × 2,0	1,20	-
16 × 2,0	1,20	1,60
20 × 2,25	1,30	1,60
25 × 2,5	1,50	1,80
32 × 3,0	1,60	1,80
40 × 4,0	-	2,00
50 × 4,5	-	2,00
63 × 6,0	-	2,20
75 × 7,5	-	2,40
90 × 8,5	-	2,40
110 × 10,0	-	2,40



optional

16 – 32 mm

S-Press PLUS
S-Press PLUS PPSU

14 – 32 mm

S-Press

14 – 25 mm

16 – 32 mm

RTM

40 – 110 mm



16 – 25 mm

RTM

25 mm

16 mm

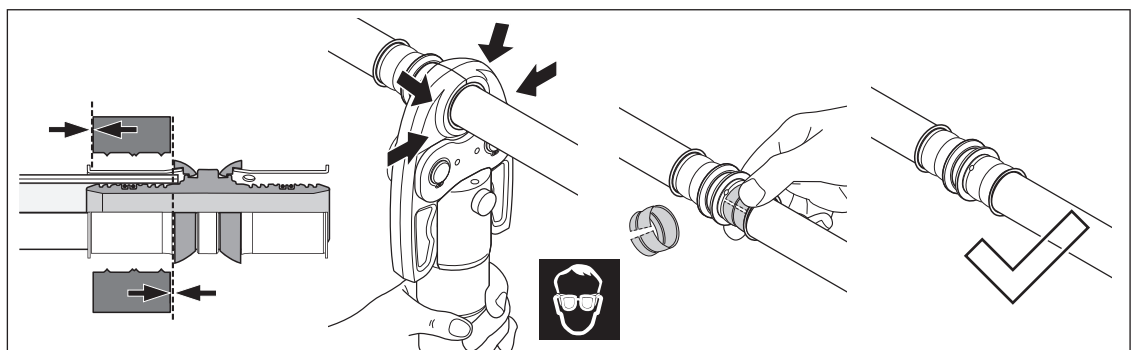
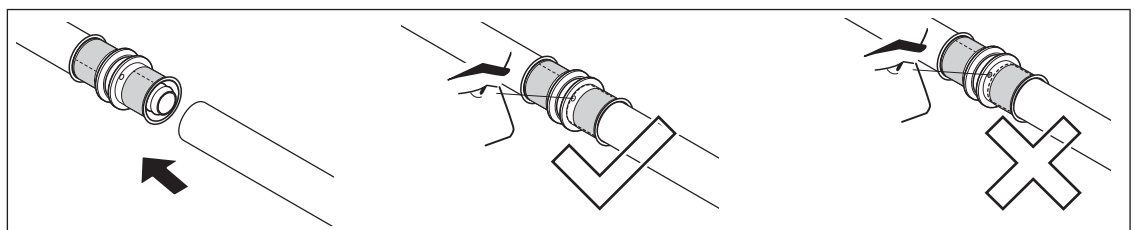
20 mm

32 mm

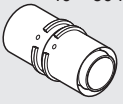
RTM



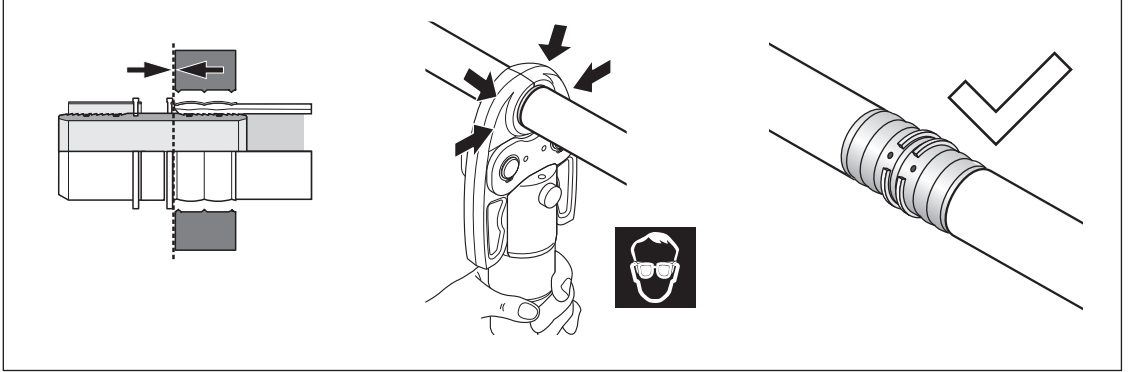
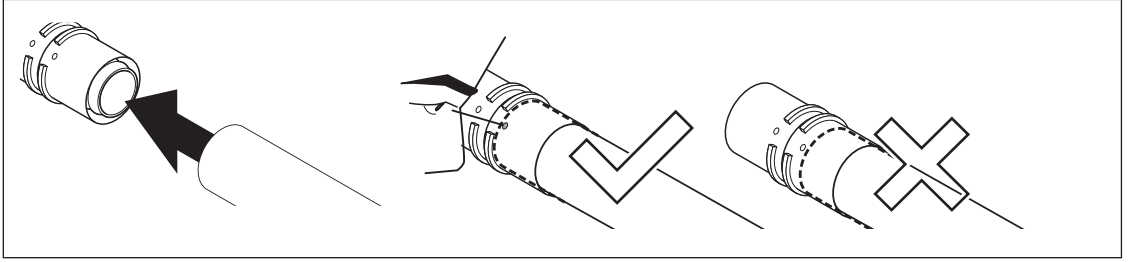
		UP110 UP75 	UP75 EL 	Mini2 Mini 		
		UPP1 	UPP1 			
 S-Press PLUS	16 – 20	16 – 32	–	–	16 – 32	–
 S-Press PLUS PPSU	16 – 20	16 – 32	–	–	16 – 32	–
 S-Press	14 – 20	14 – 32	40 – 50	63 – 75	14 – 32	–
 S-Press PPSU	–	–	40 – 50	63 – 75	–	–
 –	–	 16-32	 40 – 50	 63 – 110	 16 – 20	–
 –	–	–	–	–	–	14 – 25
 RTM	–	–	–	–	–	16 – 32



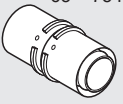
40 – 50 mm



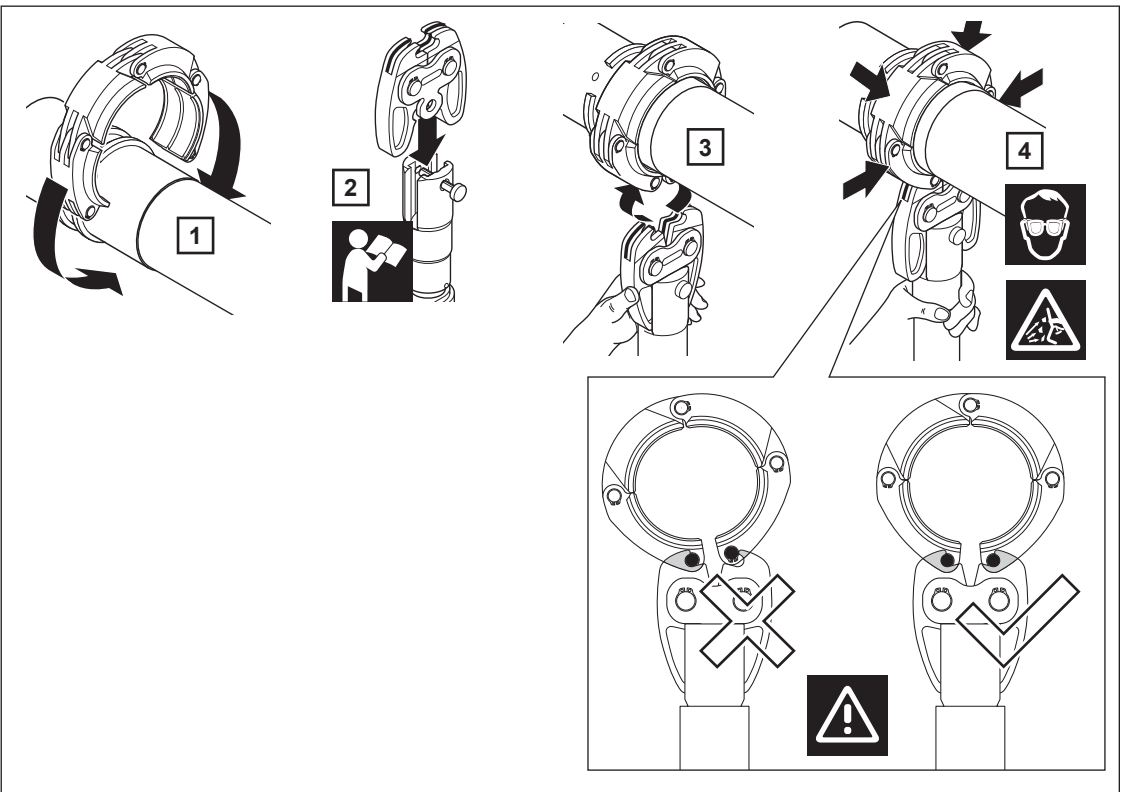
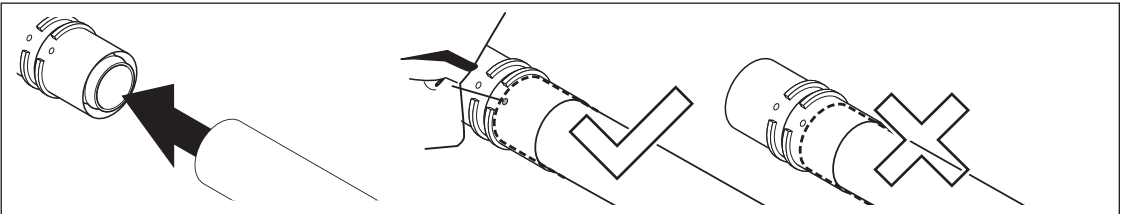
S-Press
S-Press PPSU

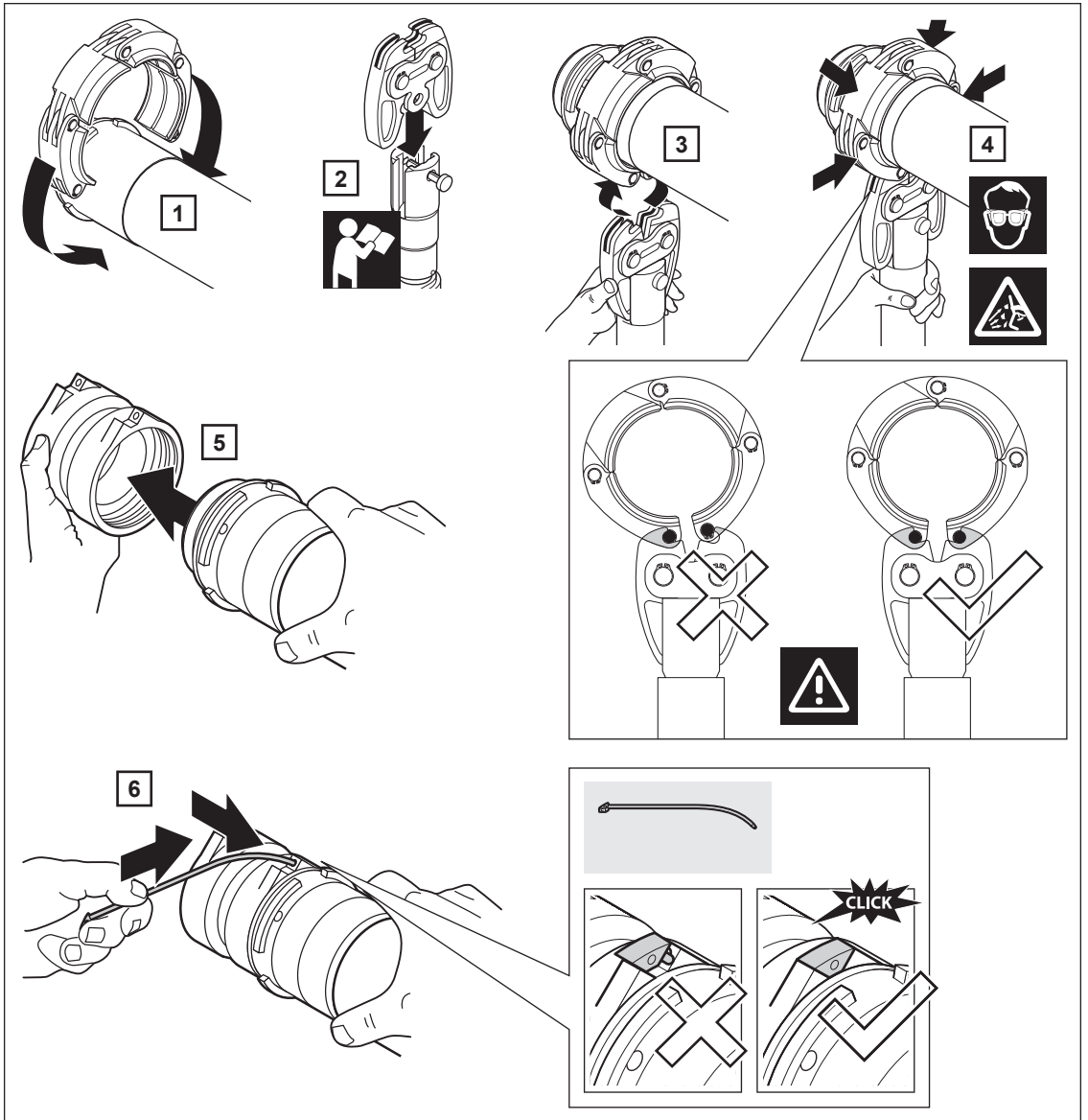
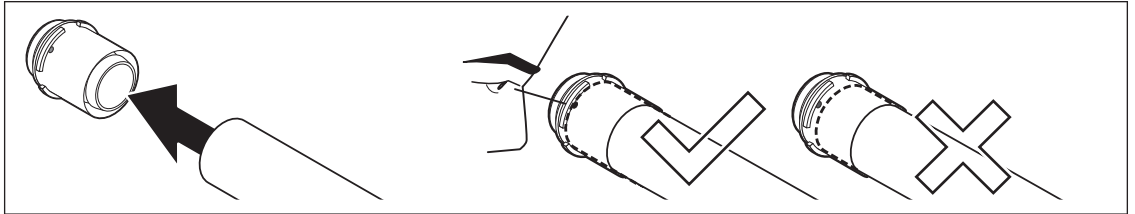
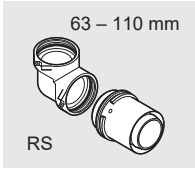


63 – 75 mm



S-Press PPSU

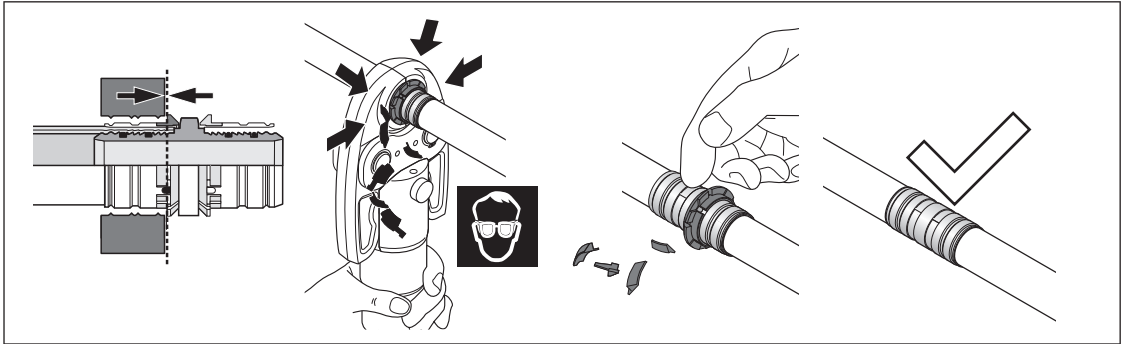
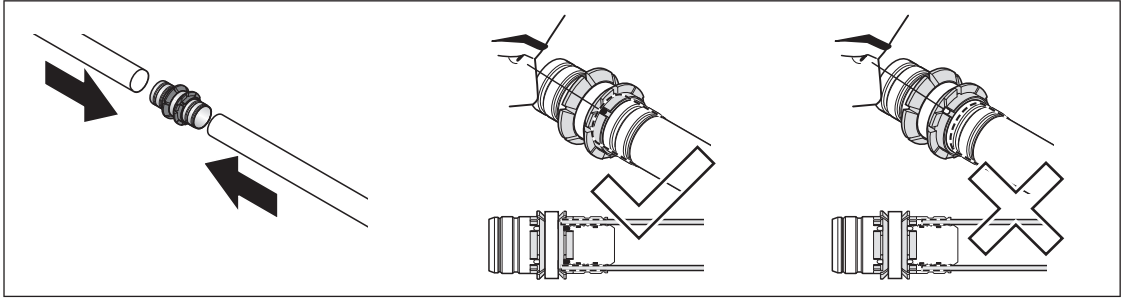




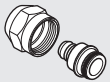
14 – 32 mm



S-Press



14 – 25 mm



Metal

1

Fitting Dim.	X [mm]	Fitting Dim.	X [mm]	Fitting Dim. [mm]	X [mm]	Fitting Dim.	X [mm]
14 – ½"	8	14 – ¾"	10	NL 14–15	8	16 – M 22	9
16 – ½"	8	16 – ¾"	10	NL 16–15	8	16 – M 24	9
20 – ½"	10	20 – ¾"	10	NL 20–22	10	16 – ½"	9
		25 – ¾"	11	NL 25–22	14	Geberit	

