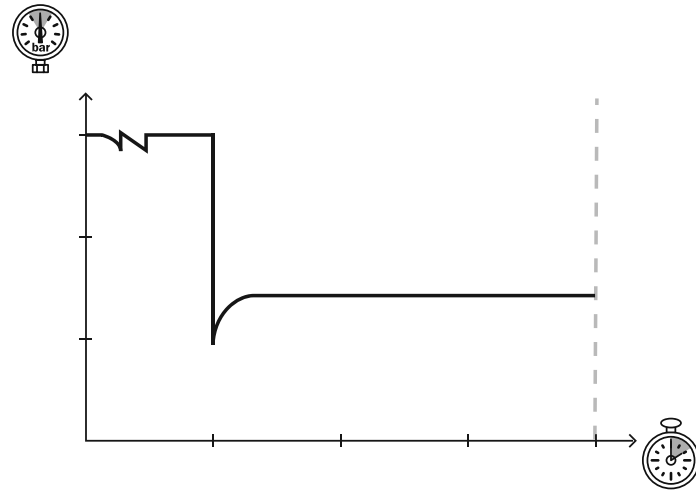
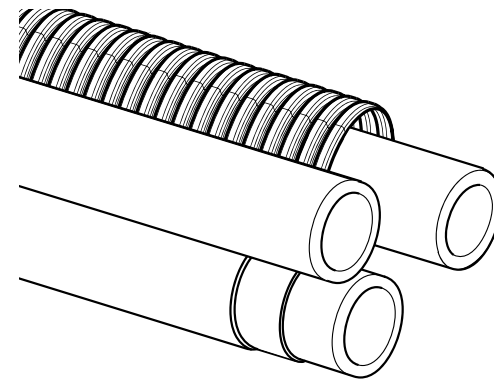
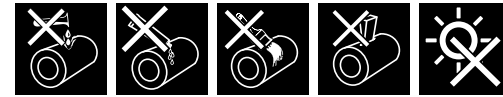
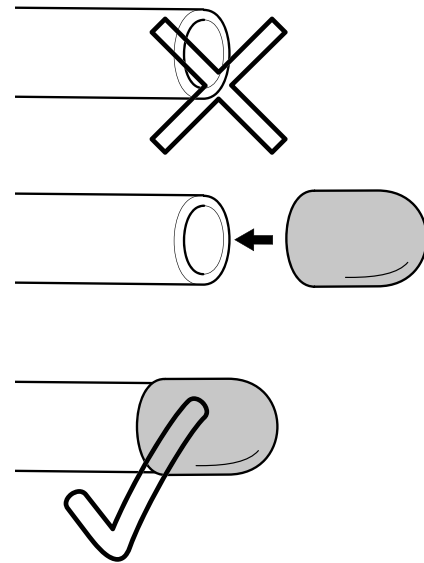
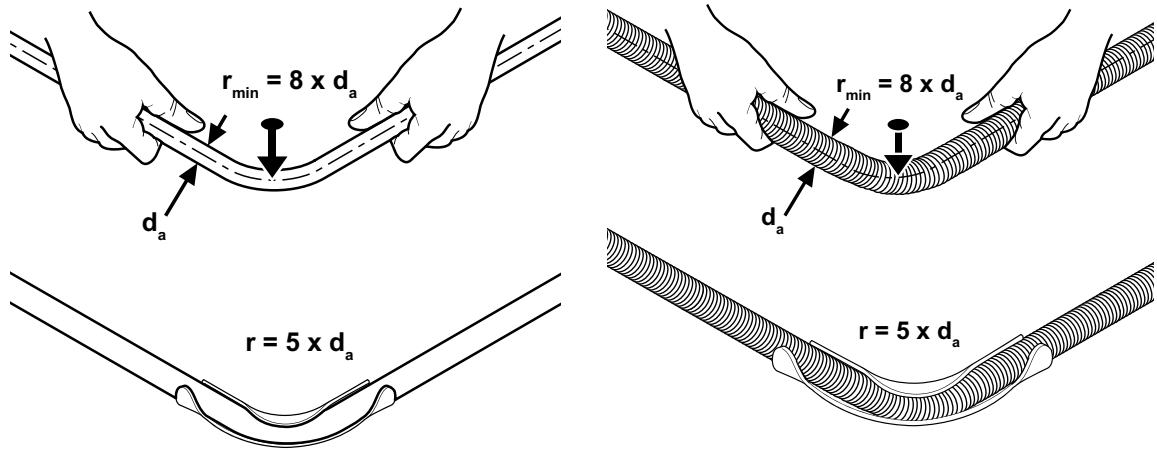
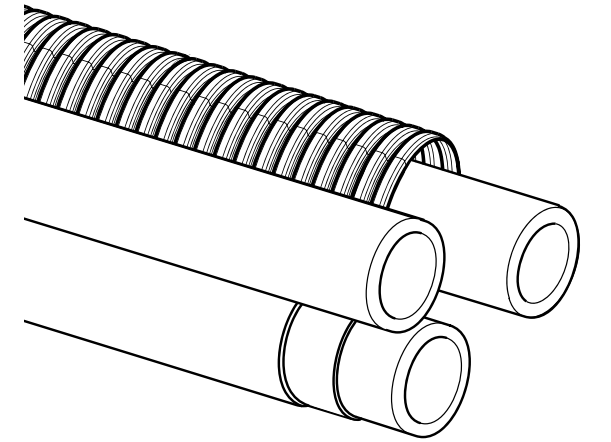


Test, H<sub>2</sub>O



# Uponor

## Uponor PE-Xa pipes

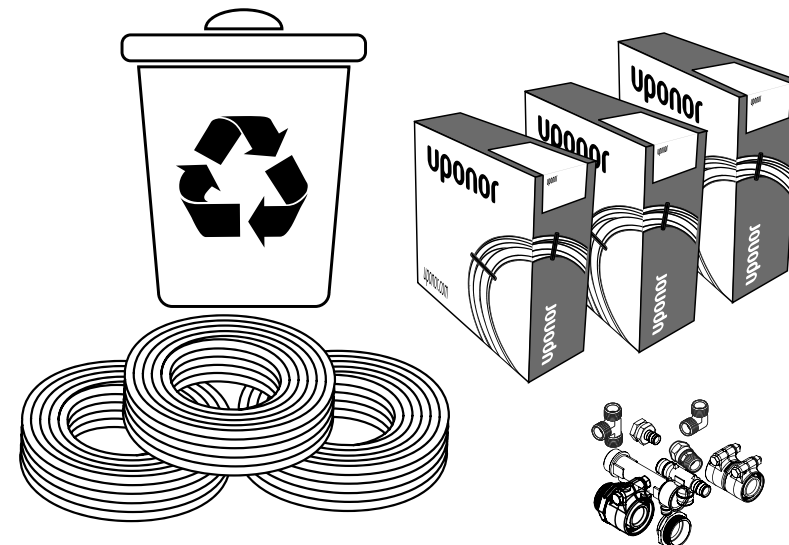
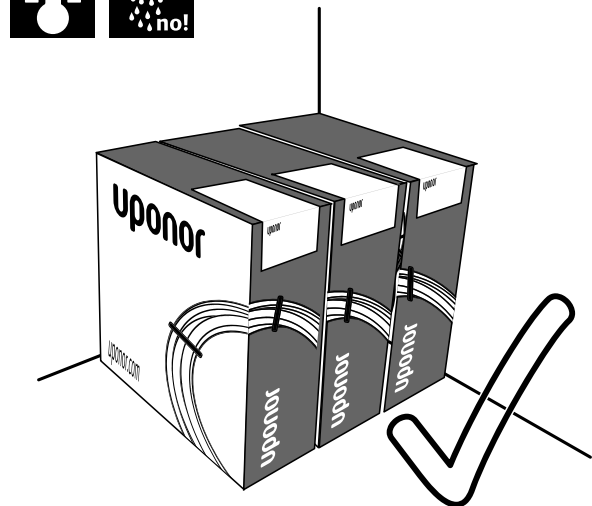


www.uponor.com

1067432\_06/2016\_EN




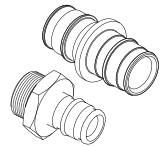
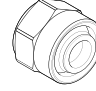
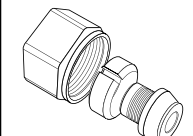
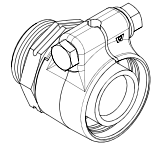
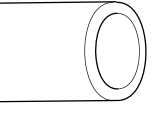
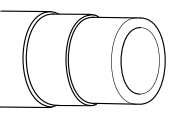
Uponor Corporation

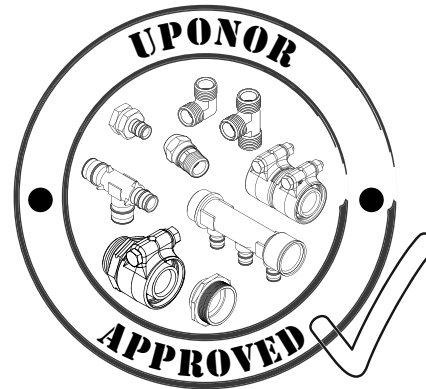


Uponor reserves the right to change specifications without prior notice. In keeping with our policy of continuous improvement and development.


# Uponor



	<b>1 Q&amp;E</b> 	<b>2 Compression</b> (Fit, Vario, Flex-X) <b>a</b>  <b>b</b> 		<b>3 Wipex</b> 
 <p>Uponor Aqua Pipe</p>	<p>Ø 9.9 - 63 mm</p>	<p>Ø 12 - 25 mm</p>	<p>Ø 9.9 - 25 mm</p>	<p>Ø 25 - 110 mm</p>
 <p>Uponor Combi Pipe Uponor Comfort Pipe Uponor Comfort Pipe PLUS Uponor Radi Pipe Uponor evalPEX pipe</p>				




**Q&E**



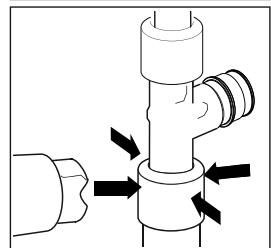
... DEC JAN FEB ...

$< 5^{\circ}\text{C}$

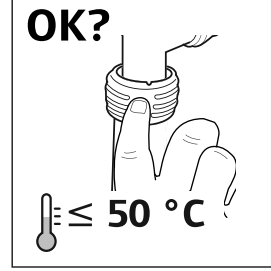


no!

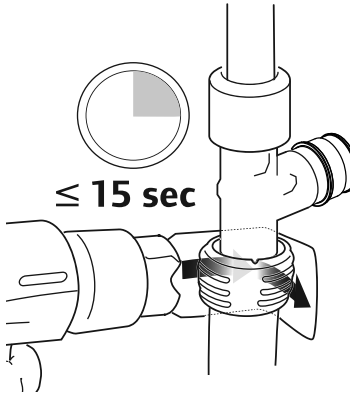
**OPTION**



**OK?**

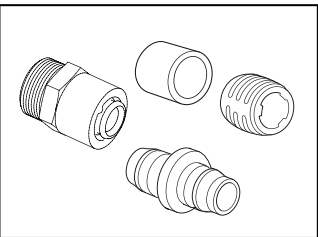


$\leq 50^{\circ}\text{C}$

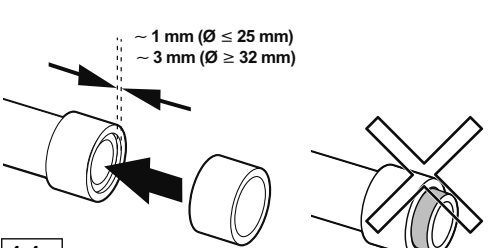


$\leq 15 \text{ sec}$

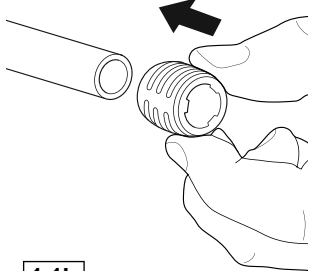
**1 Q&E**



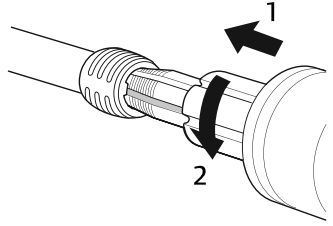
~ 1 mm ( $\text{Ø} \leq 25 \text{ mm}$ )  
~ 3 mm ( $\text{Ø} \geq 32 \text{ mm}$ )



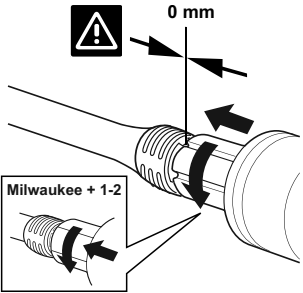
**1.1a**



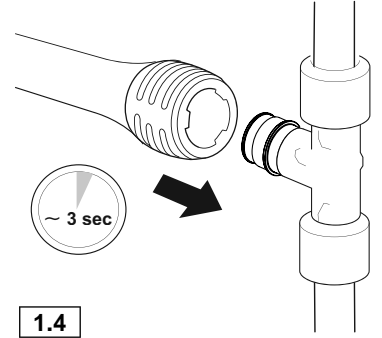
**1.1b**



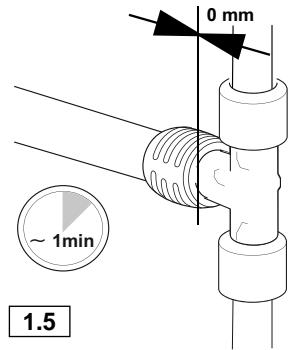
**1.2**



**1.3**



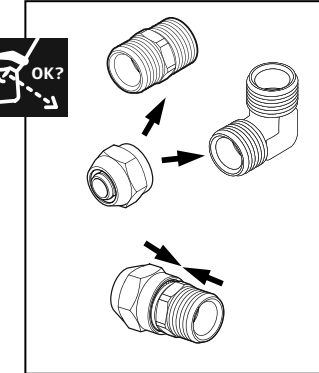
**1.4**

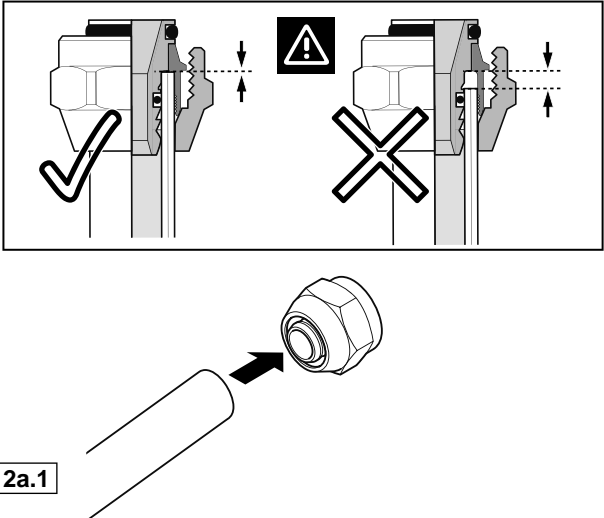


**1.5**

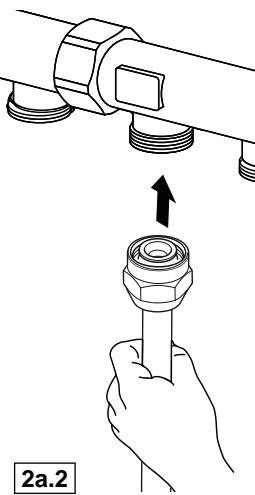
**2 Compression**  
(Fit, Vario, Flex-X)

**2a**

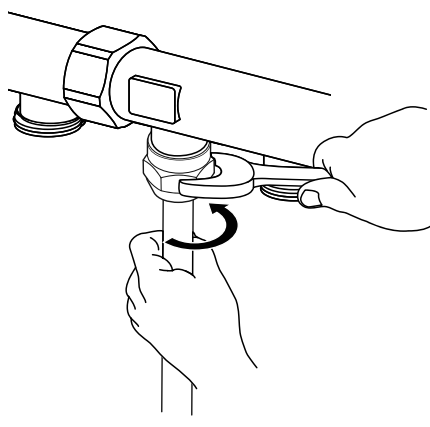




**2a.1**

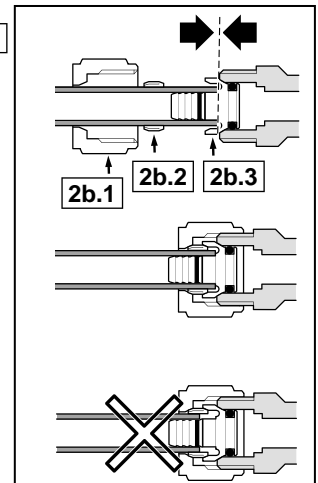


**2a.2**

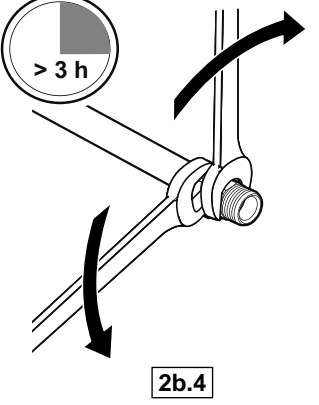


**2a.3**

**2b**

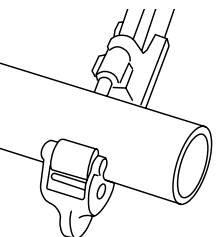


**2b.1** **2b.2** **2b.3**

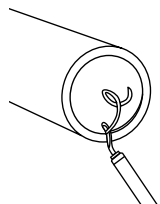


**2b.4**

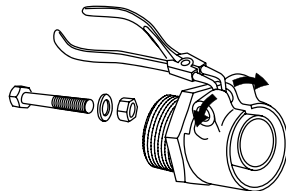
**3 Wipex**



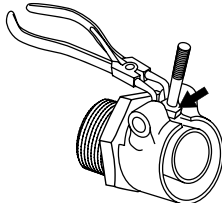
**3.1**



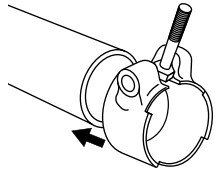
**3.2**



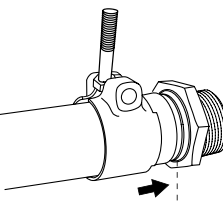
**3.3**



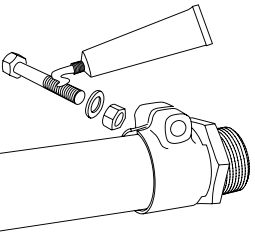
**3.4**



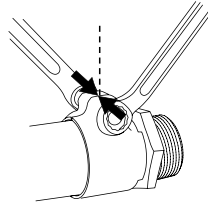
**3.5**



**3.6**



**3.7**



**3.8**

